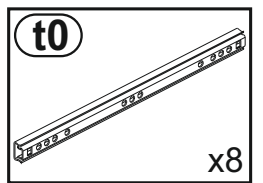
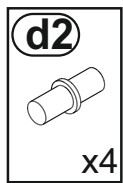
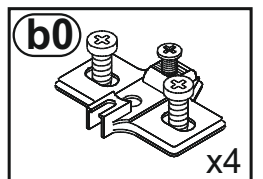
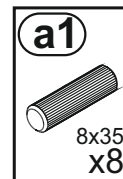
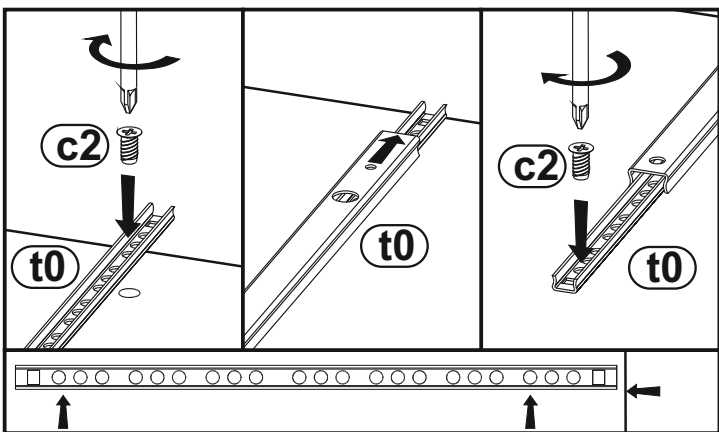
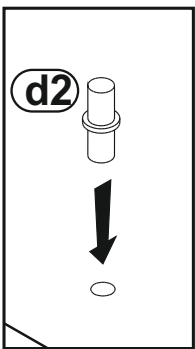
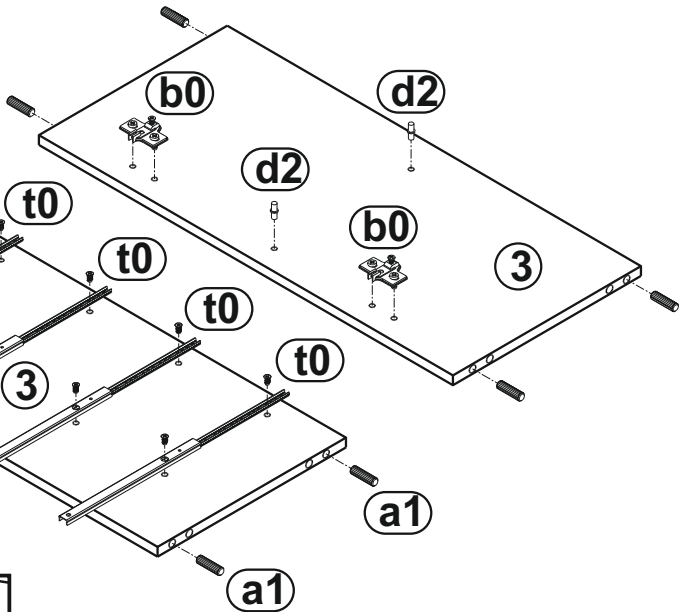
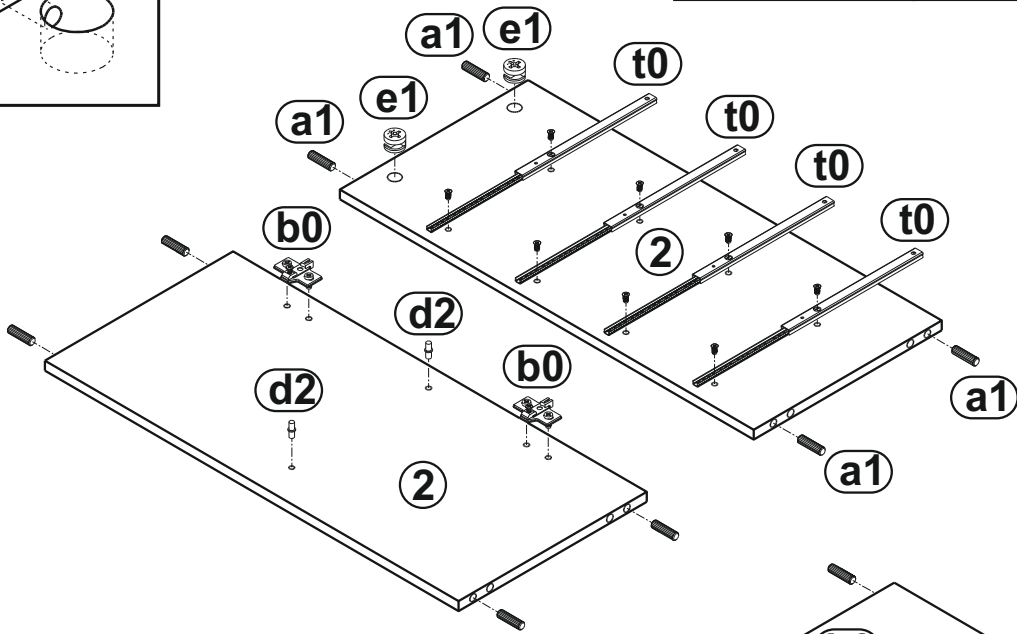
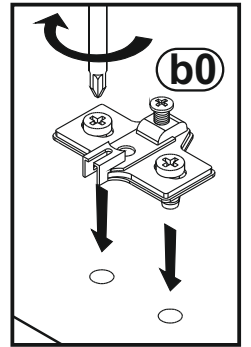
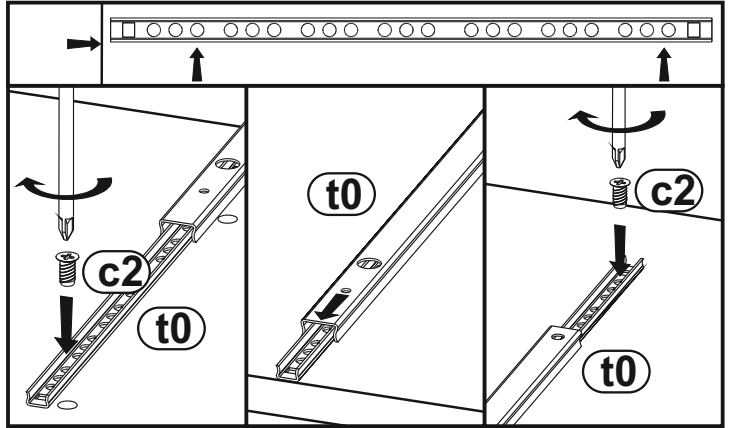
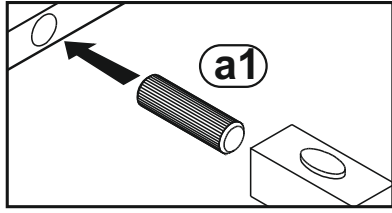
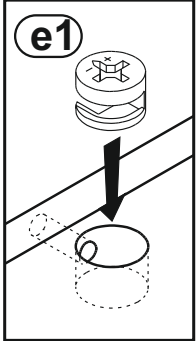
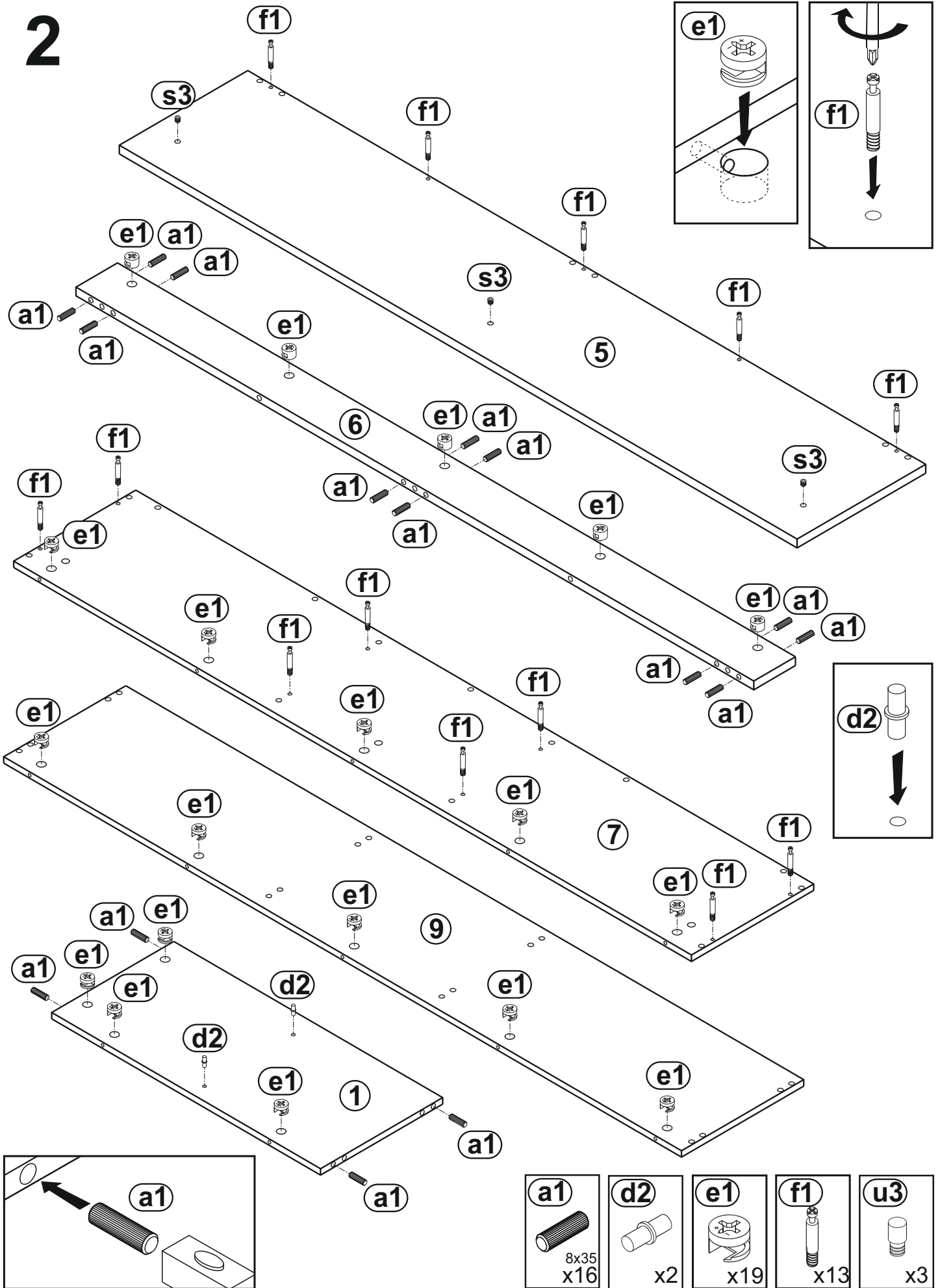


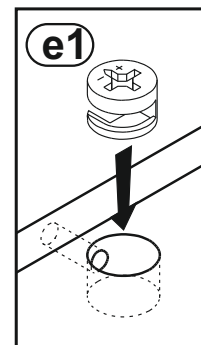
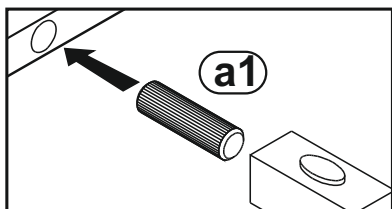
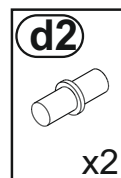
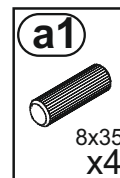
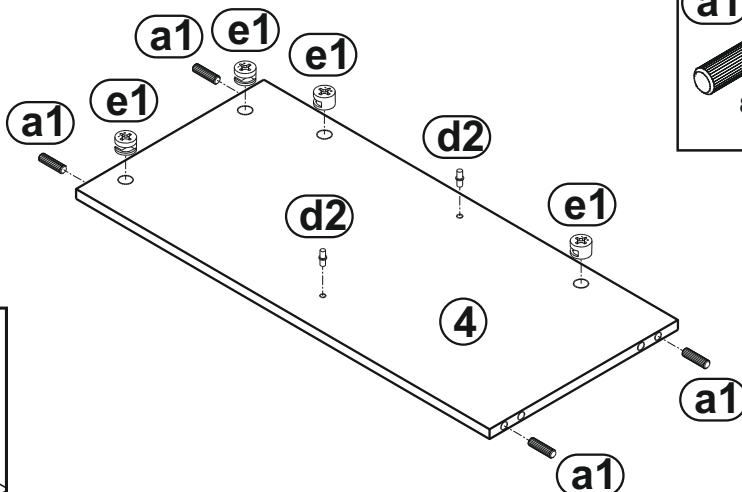
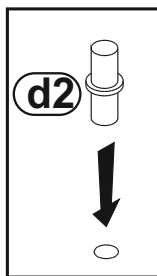
1



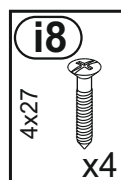
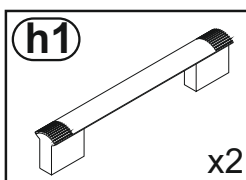
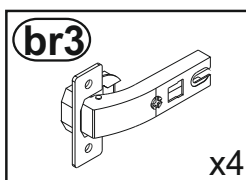
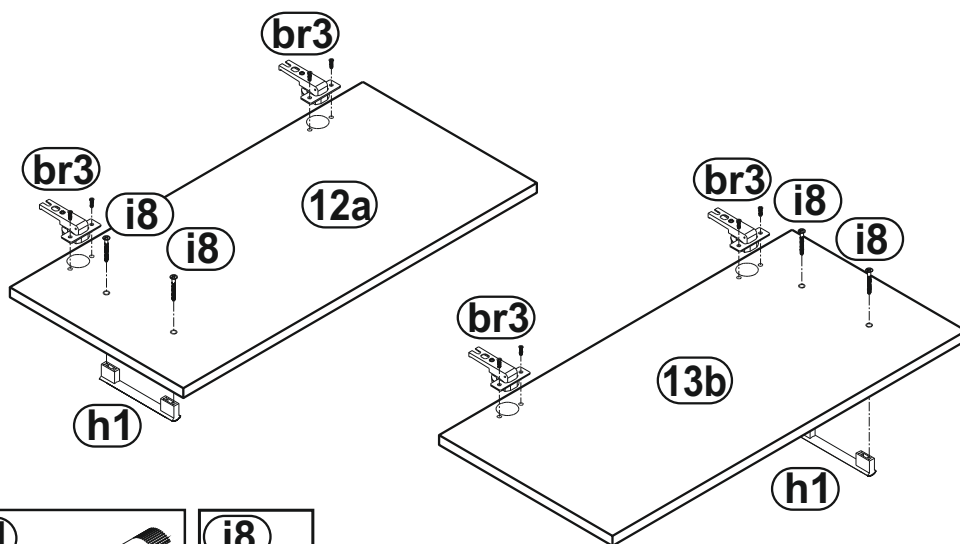
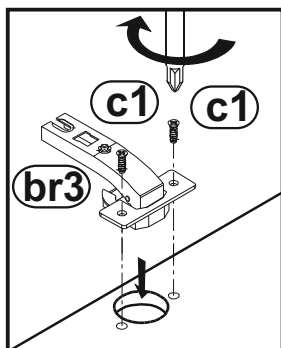
2



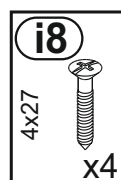
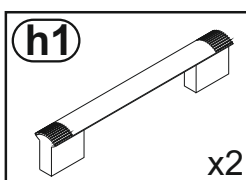
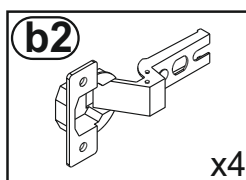
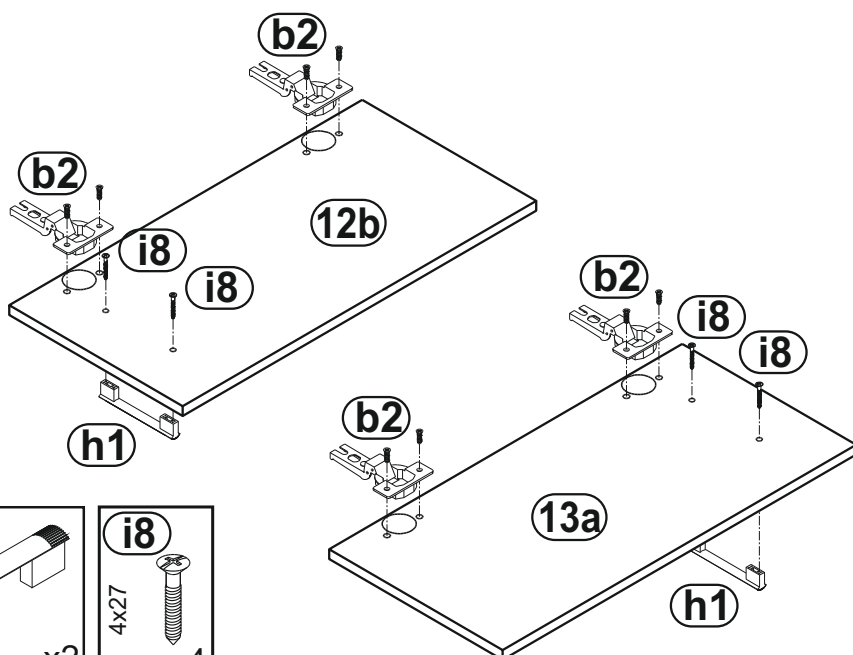
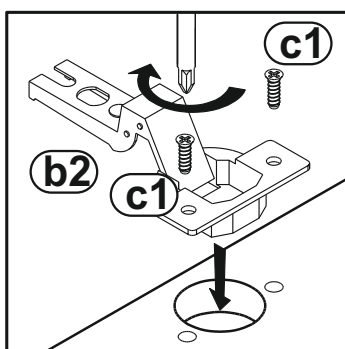
3



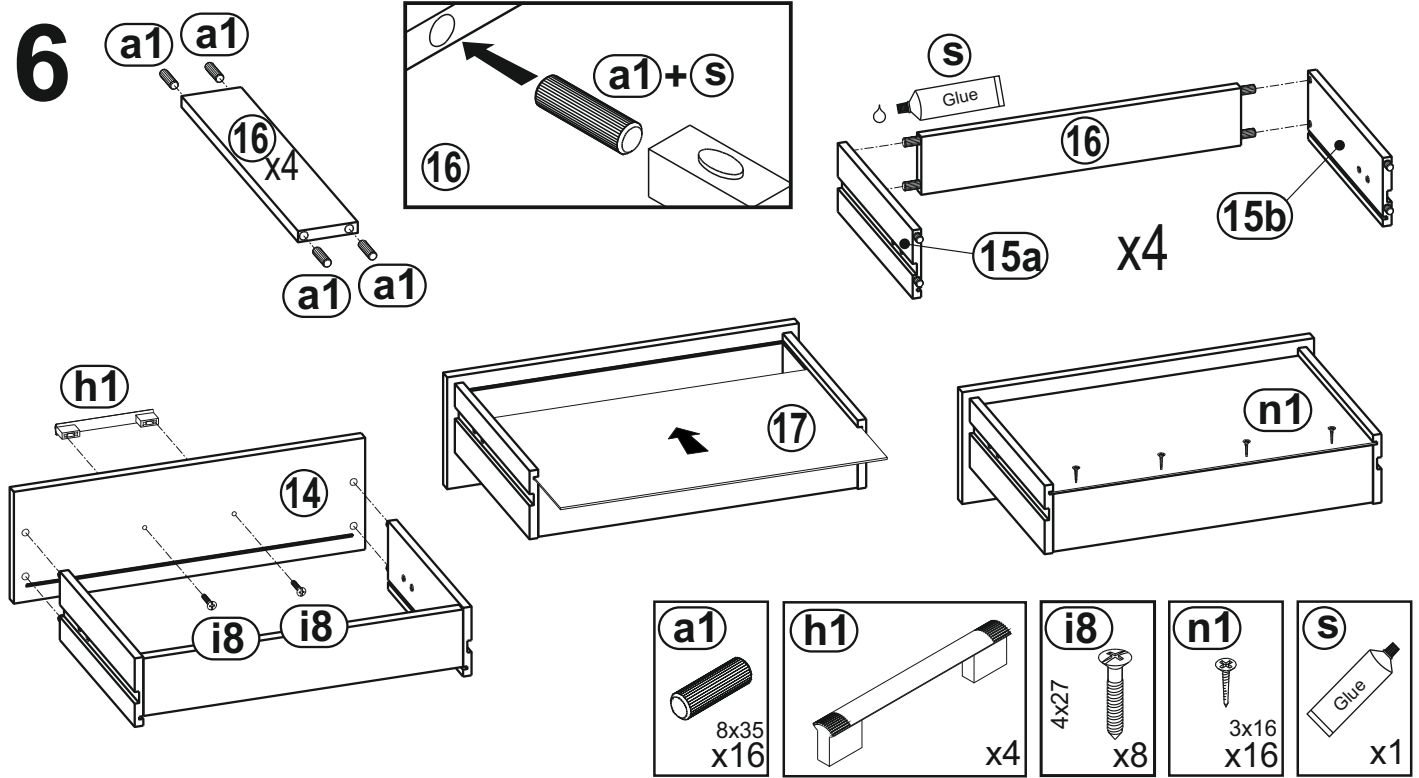
4



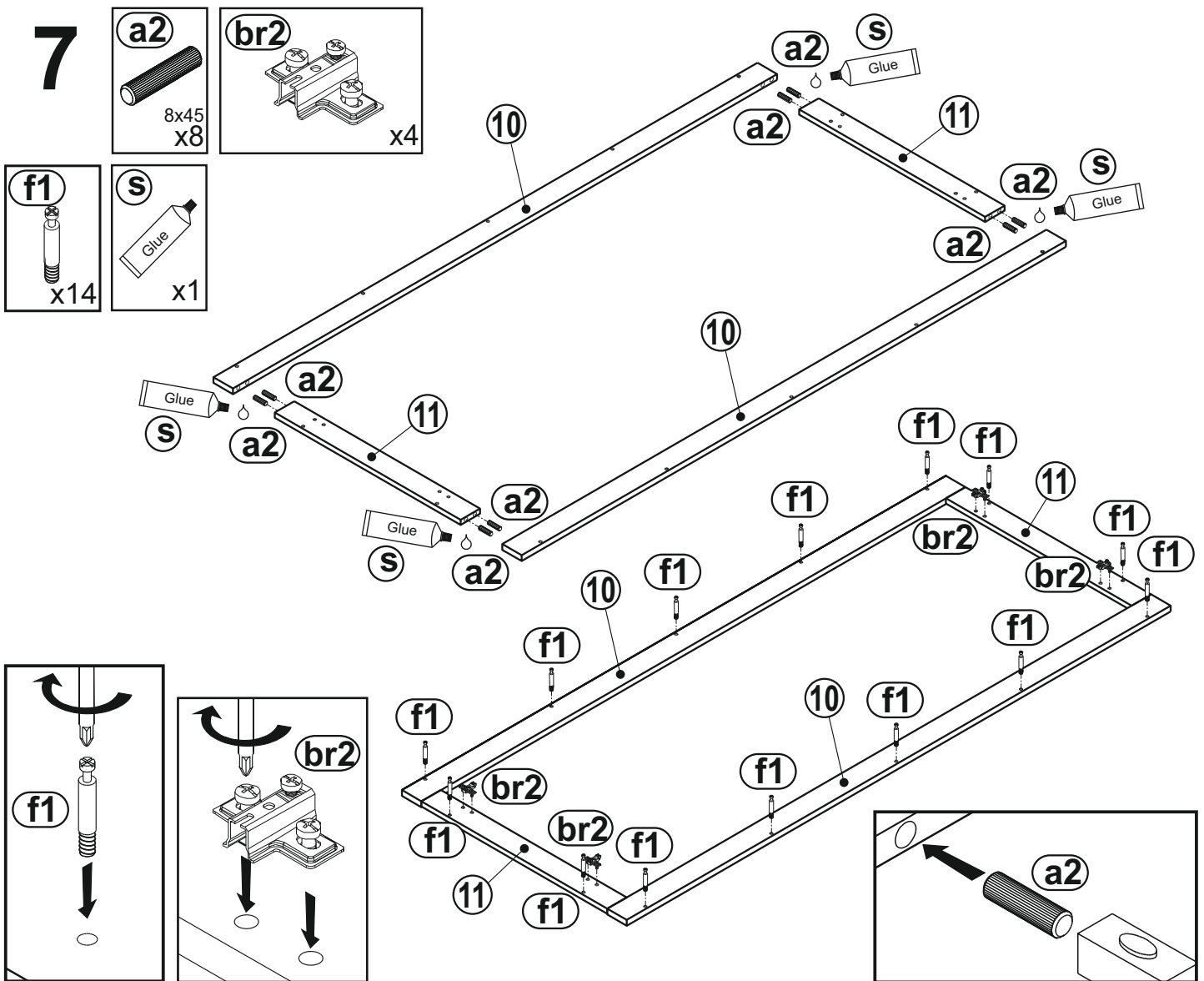
5



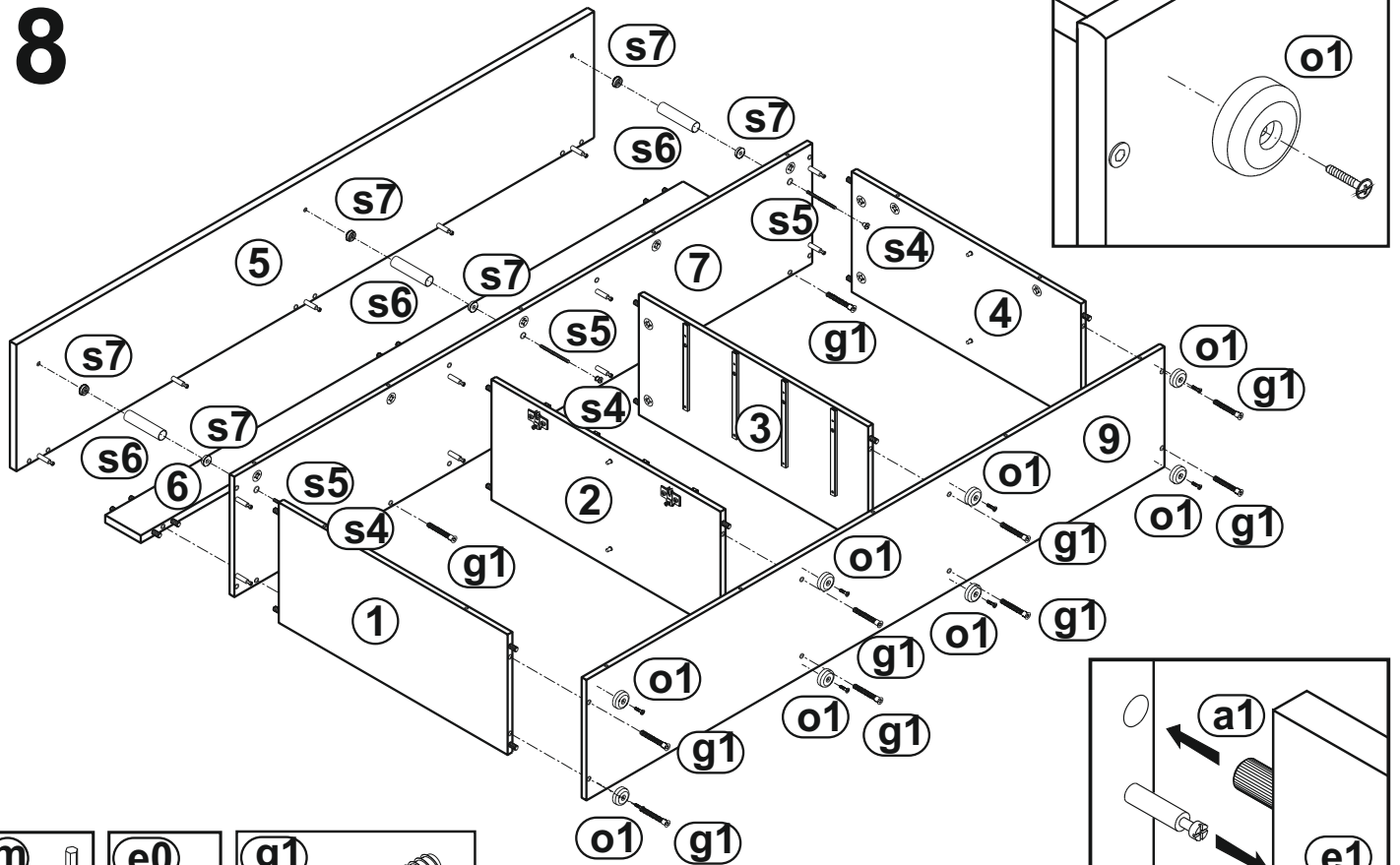
6



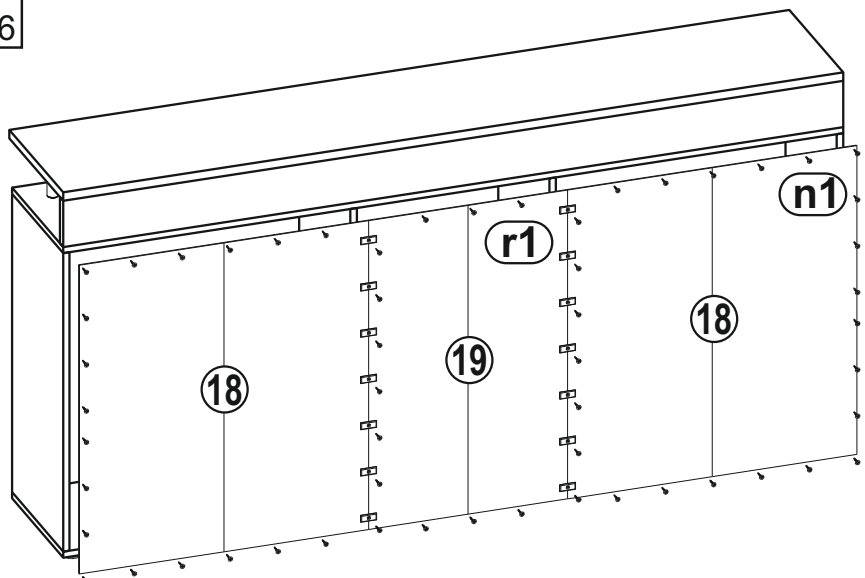
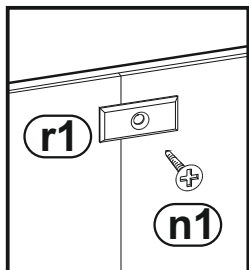
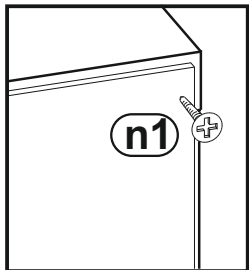
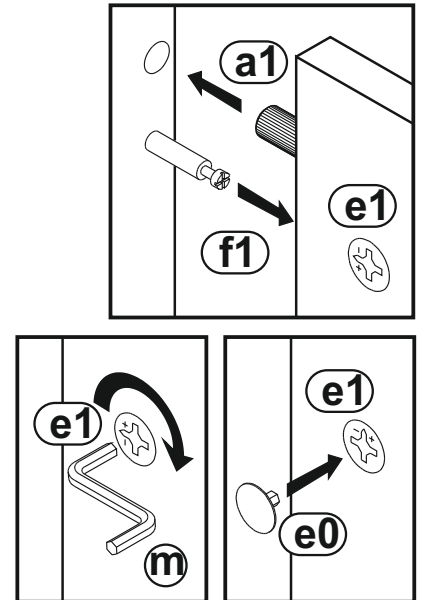
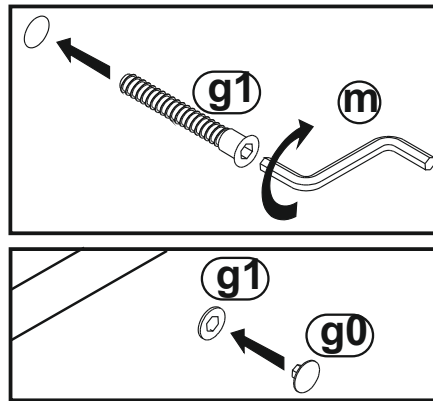
7



8



- m** x1
- e0** x13
- g1** 7x50 x13
- g0** x13
- n1** 3x16 x64
- o1** 3,5x22 x8
- r1** x14
- s4** x3
- s5** M6 x3
- s6** x3
- s7** x6



9

