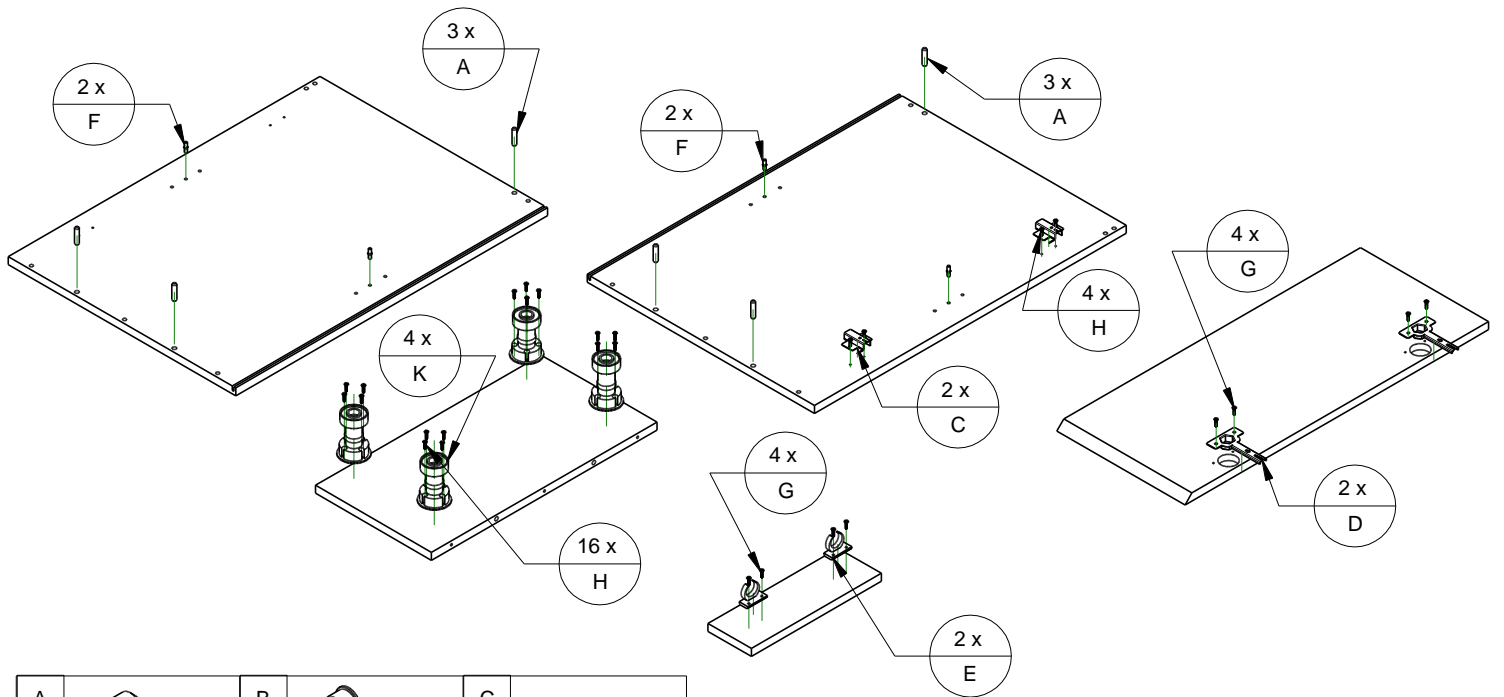
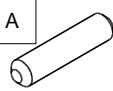
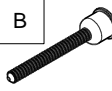

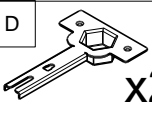
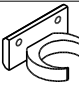
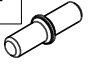

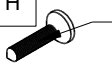
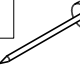
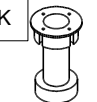


D 30/40/60 1F



A		x6	B		x12	C		x2
D		x2	E		x2	F		x4
G		$\varnothing 3,5$ 16 x8	H		$\varnothing 4$ 16 x20	J		x20
K		x4	L			M		

