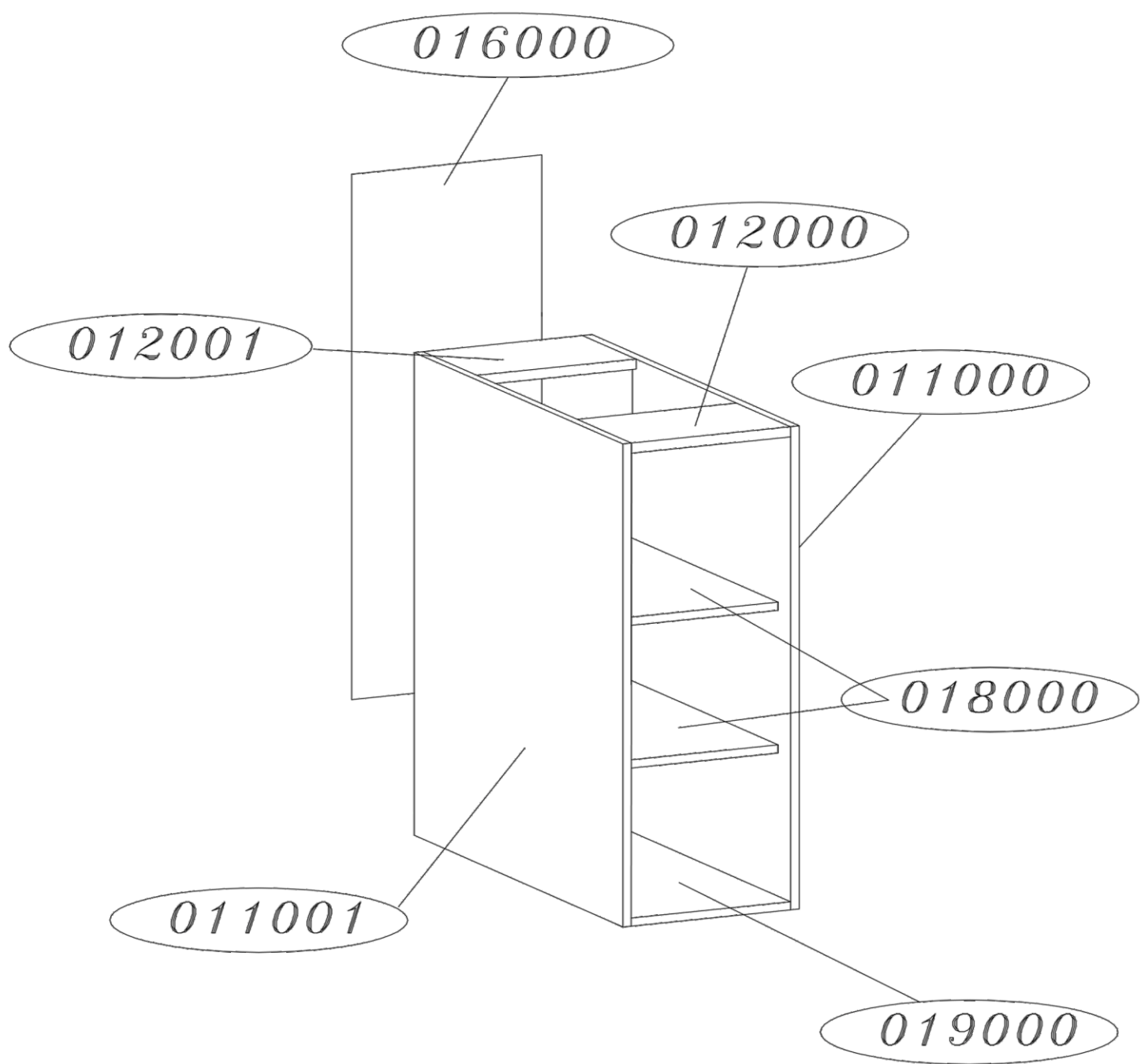
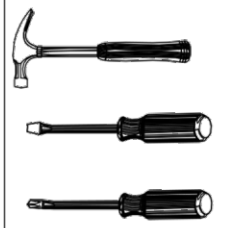
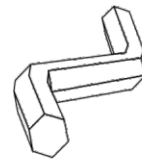
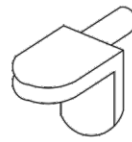
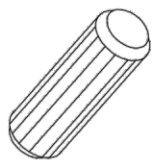


ROYAL D20P





A = 12x

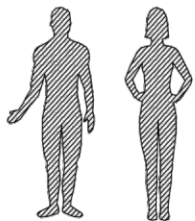
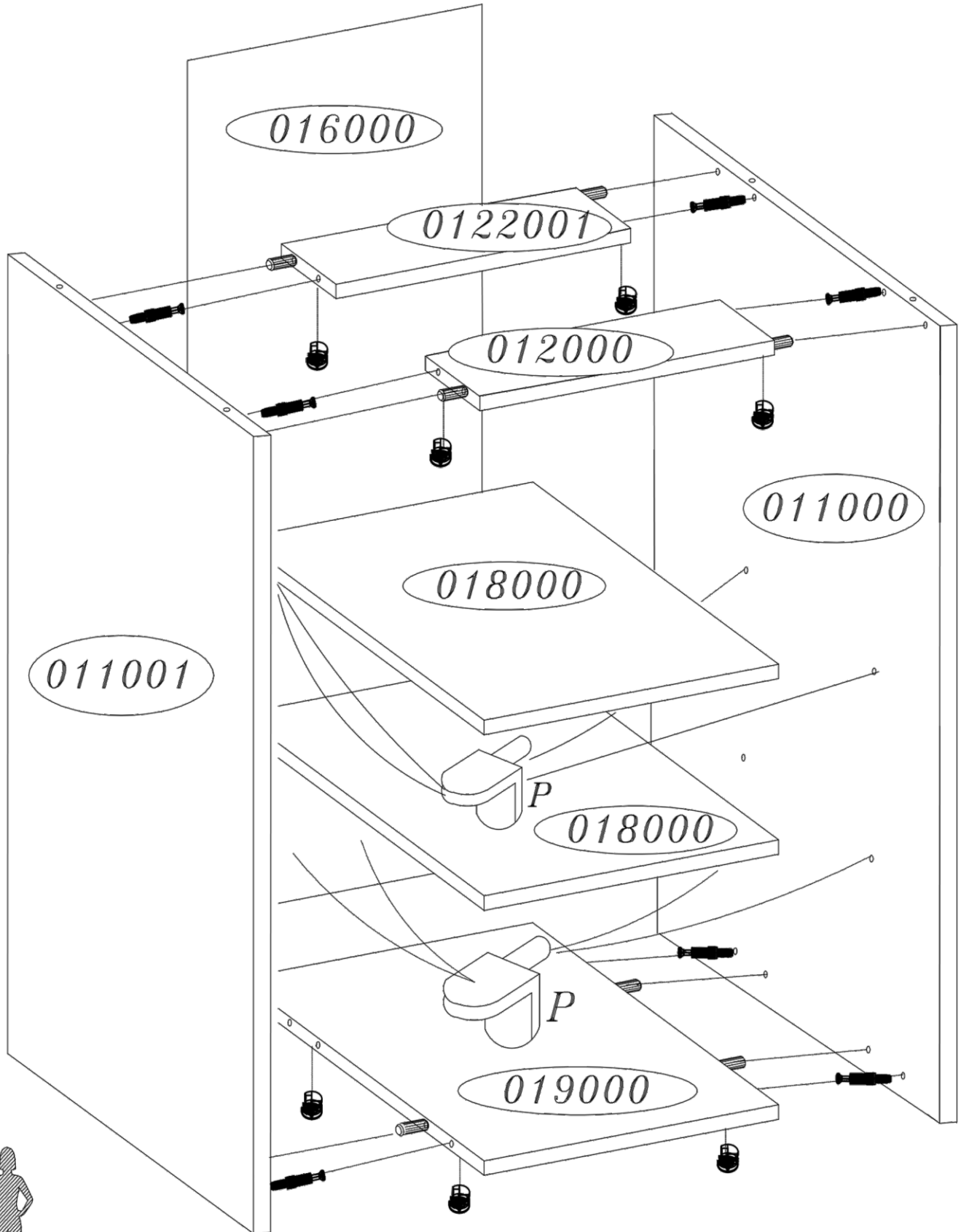
B = 8x

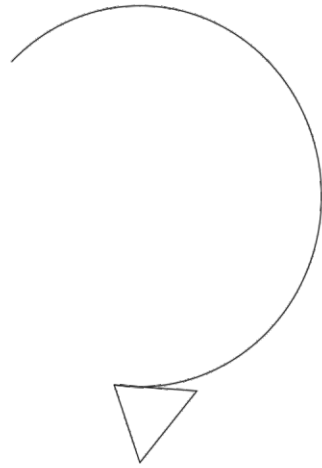
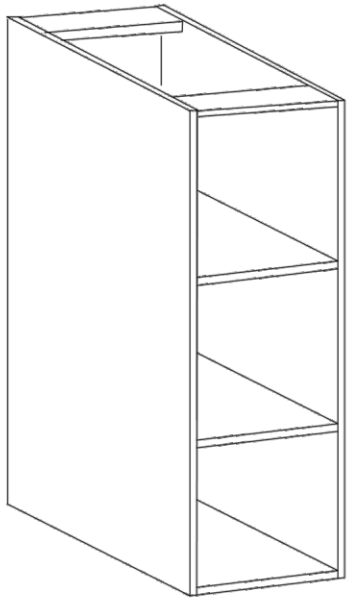
C = 8x

D = 8x

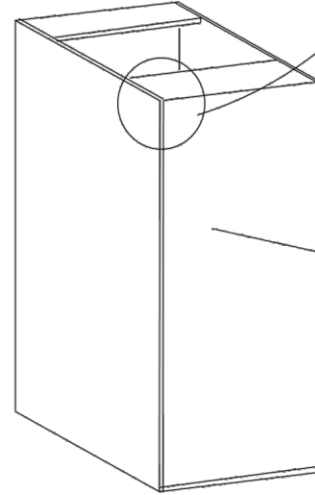
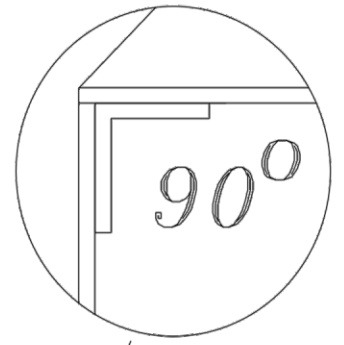
E = 25x

F = 1x



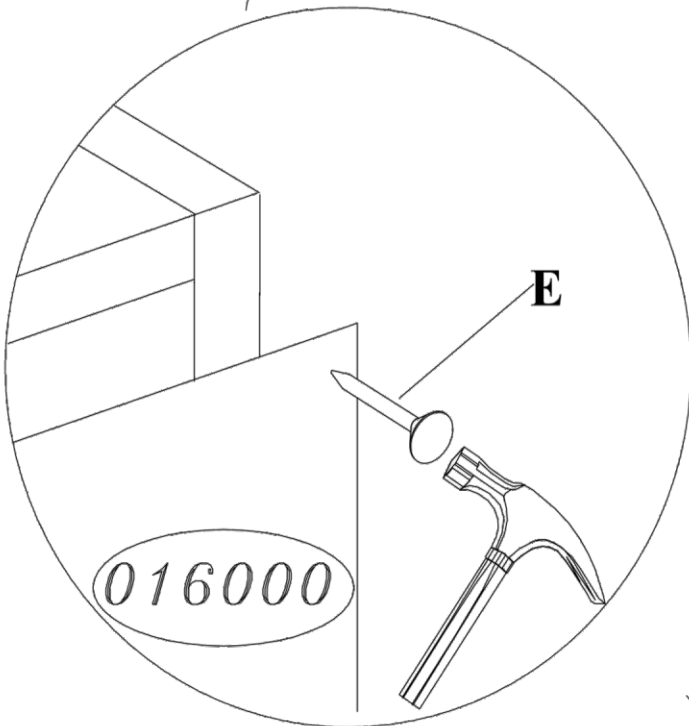
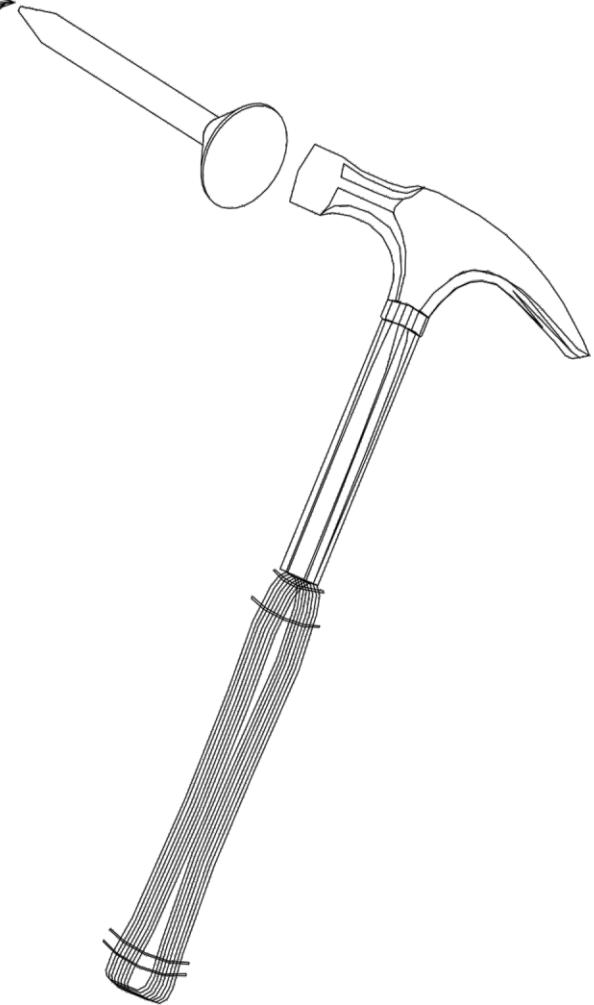
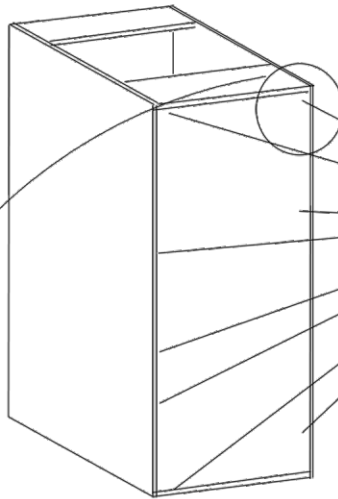


I



016000

II



016000