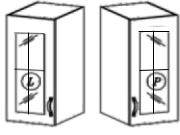
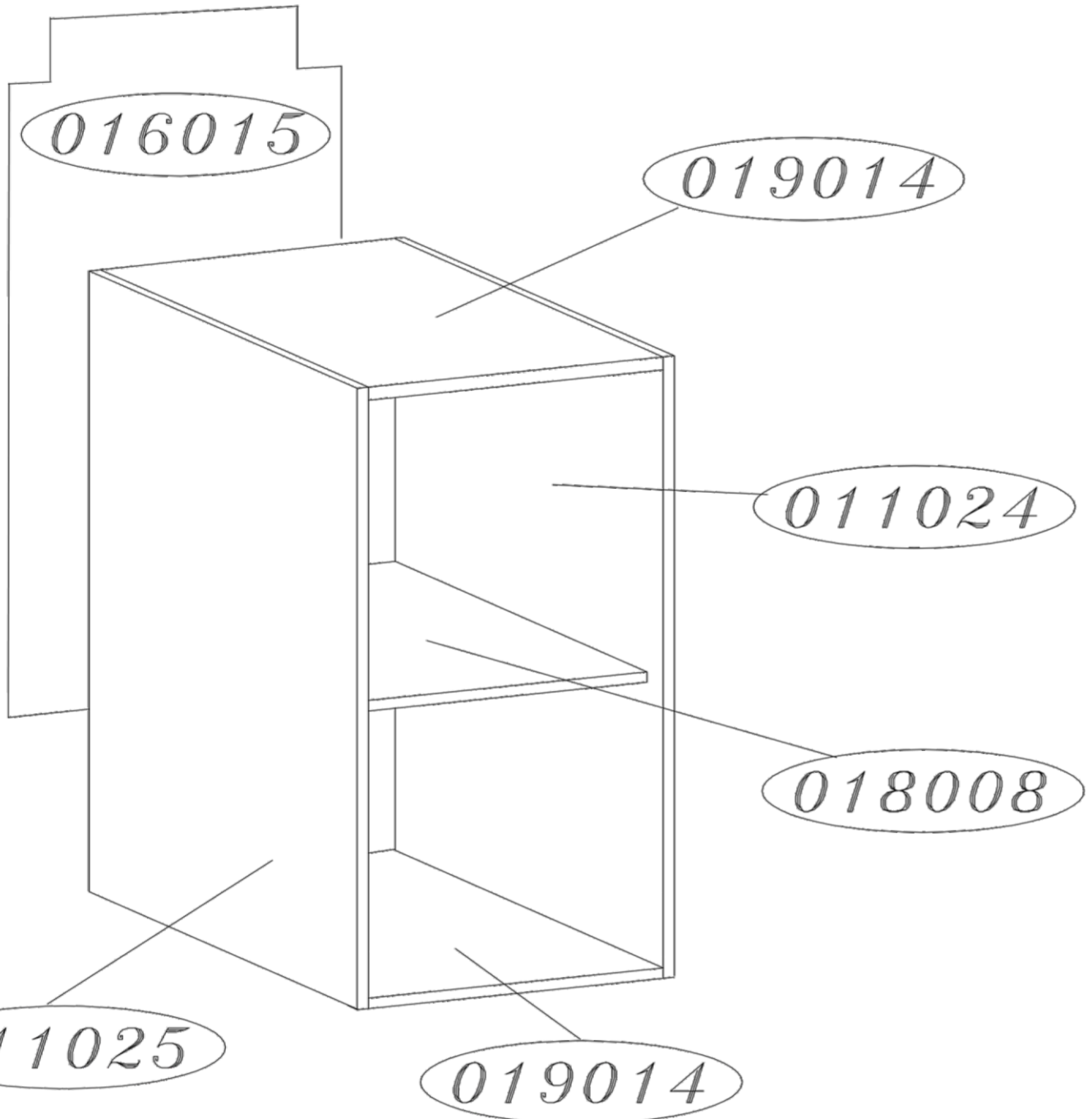


G30

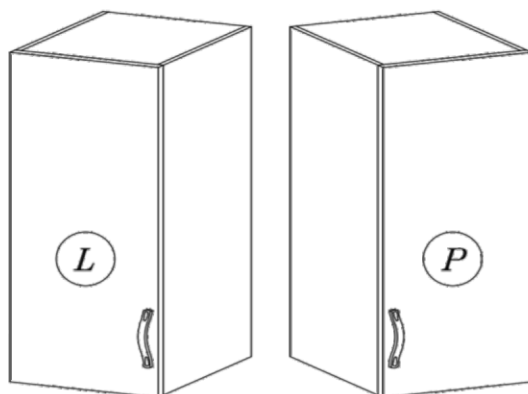


G30S

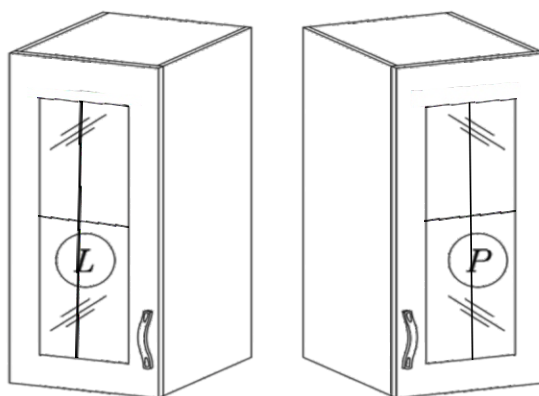
ROYAL G30 / G30S



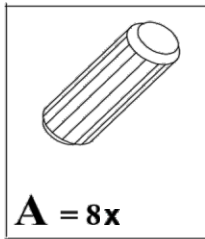
G30



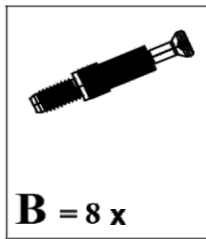
G30S



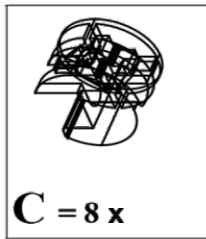
| | | G30 | | G30S | |
|------------|-----------------|--------|--------|--------|--------|
| SYSTEM | KOLOR | L | P | L | P |
| SAN MARINO | KREMOWY | 400400 | 400401 | 400402 | 400403 |
| COSTA | LAKIER BIEL | 010400 | 010401 | n.d. | n.d. |
| MALAGA | LAKIER PIASKOWY | 380400 | 380401 | n.d. | n.d. |



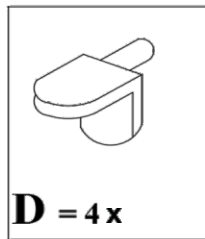
A = 8x



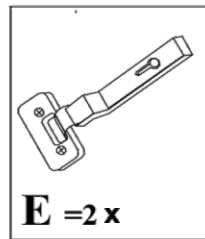
B = 8x



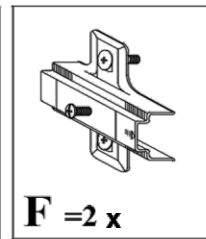
C = 8x



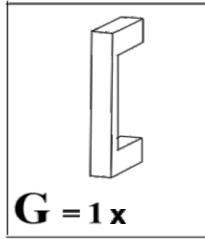
D = 4x



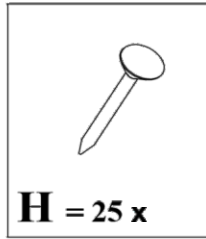
E = 2x



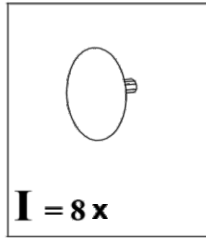
F = 2x



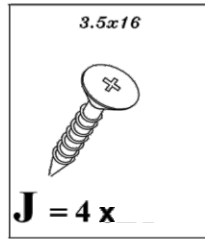
G = 1x



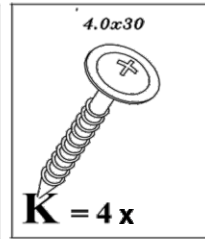
H = 25x



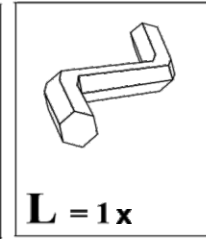
I = 8x



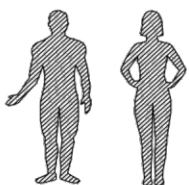
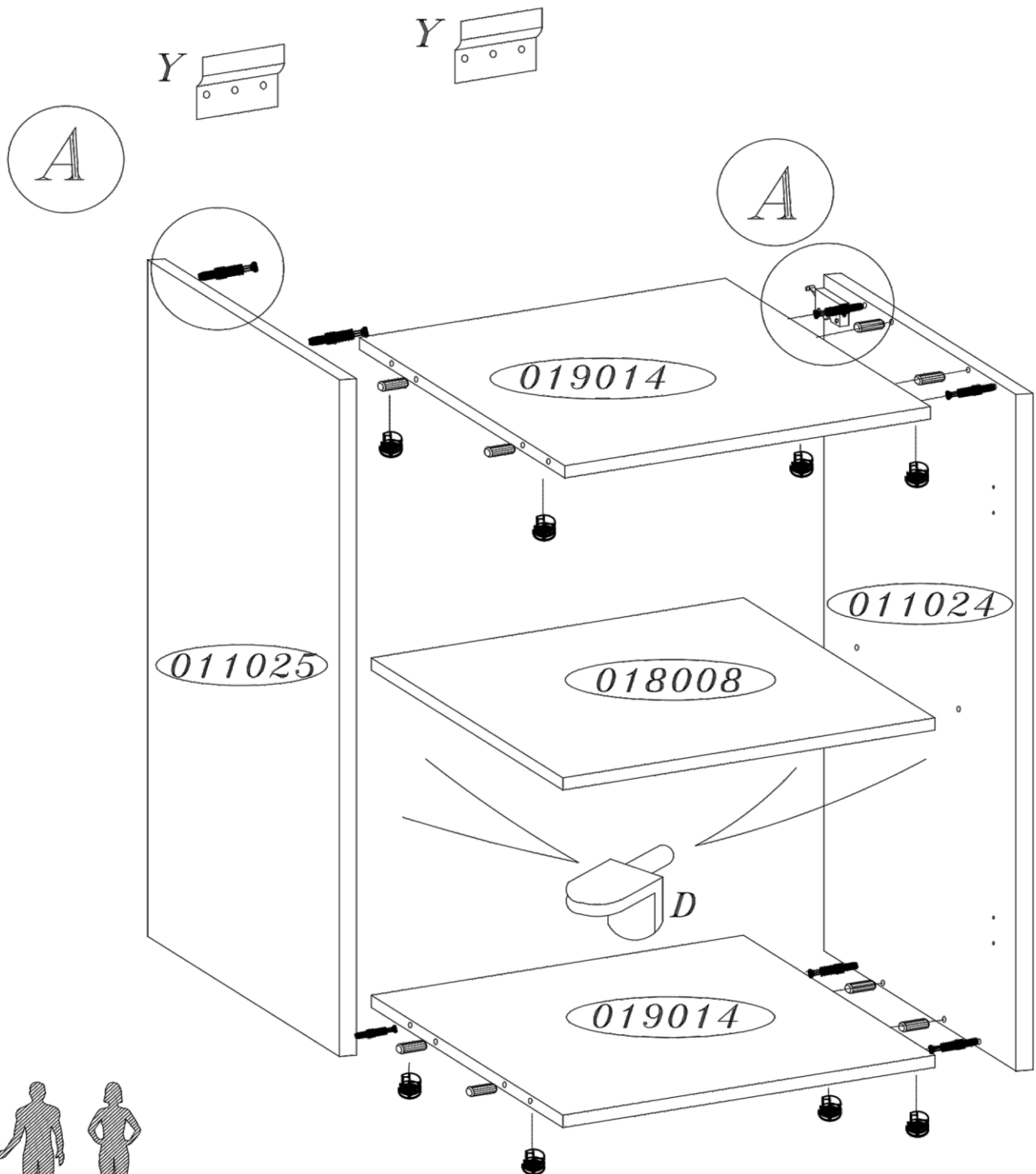
J = 4x

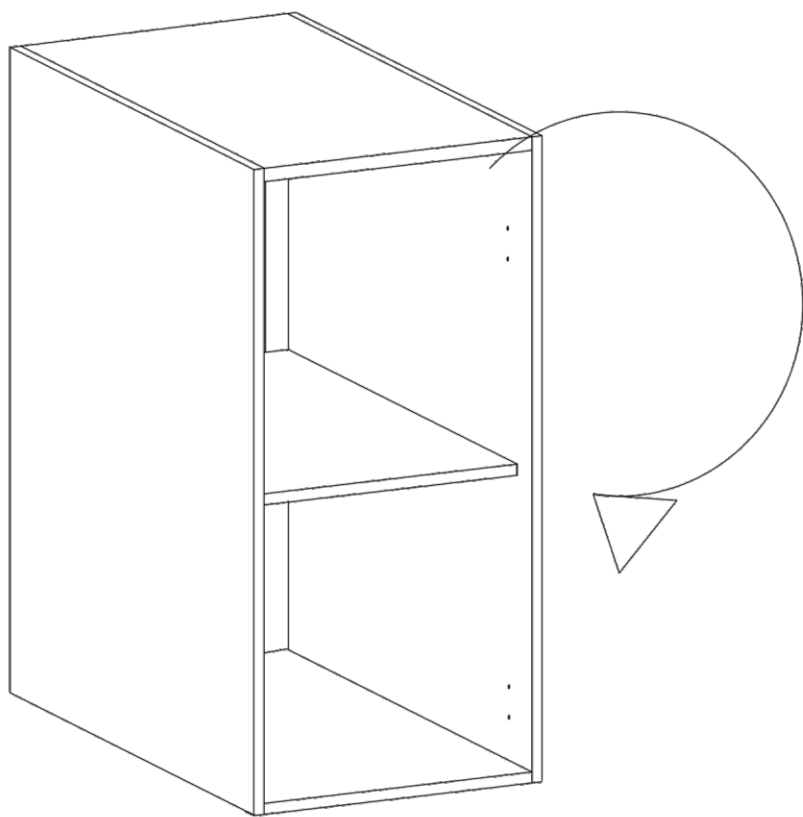


K = 4x

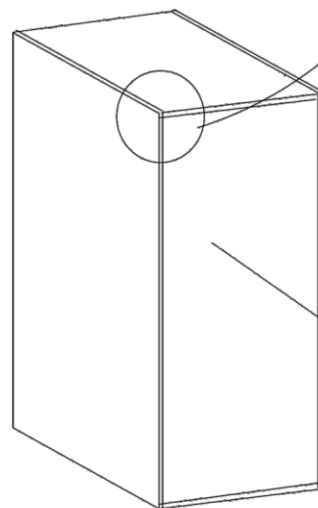


L = 1x

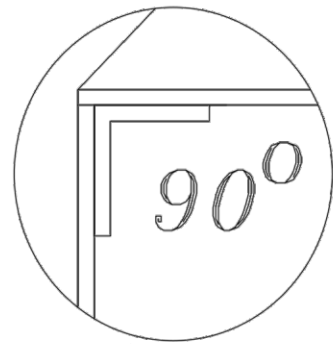




III

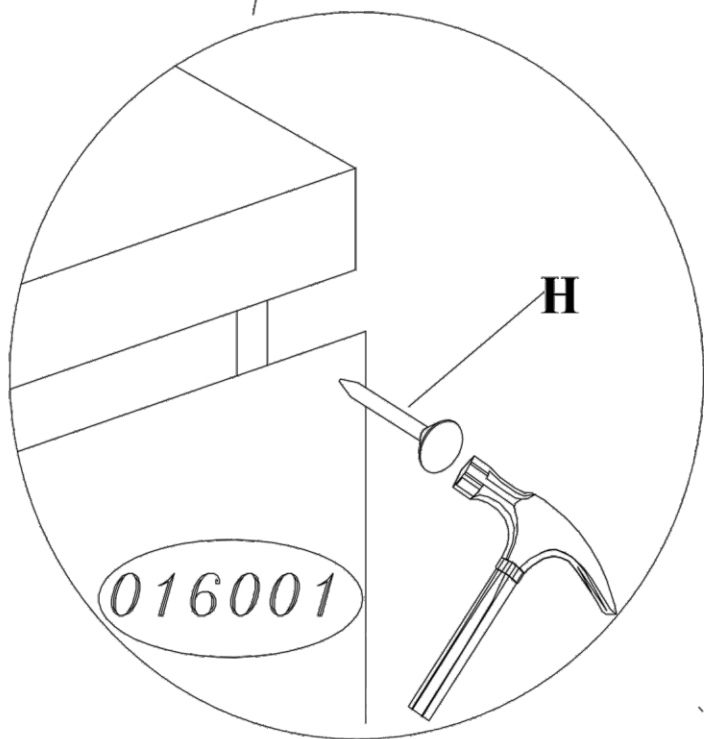
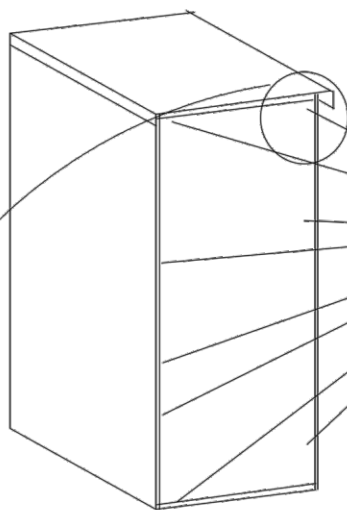


I



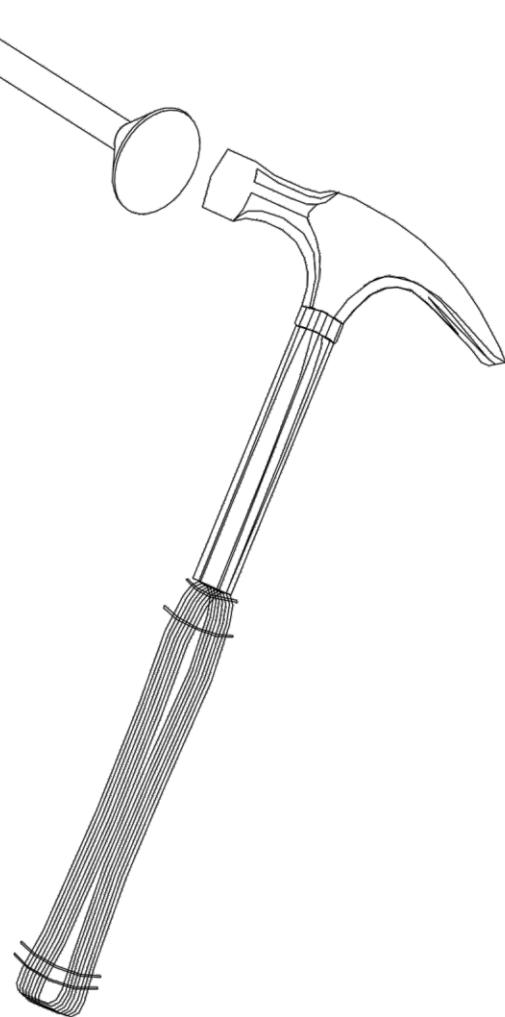
90°

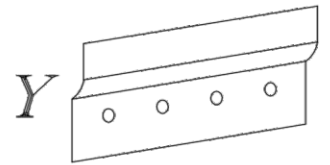
016001



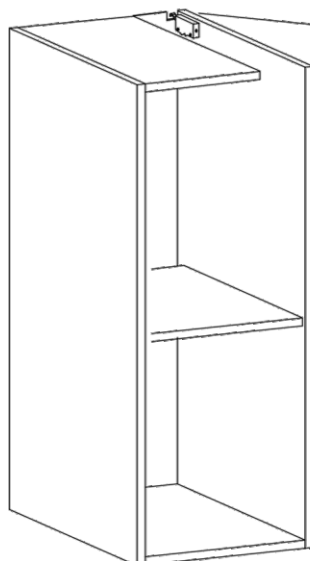
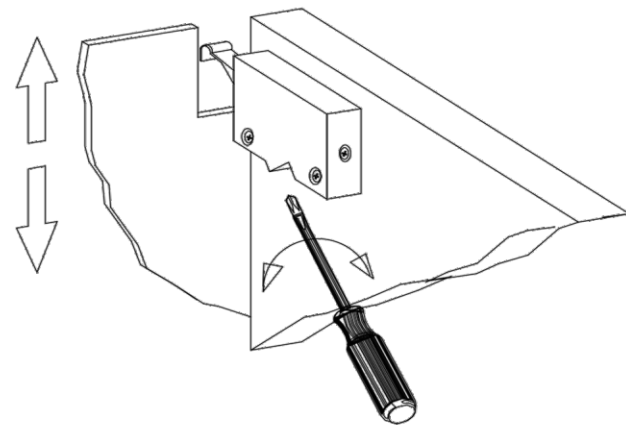
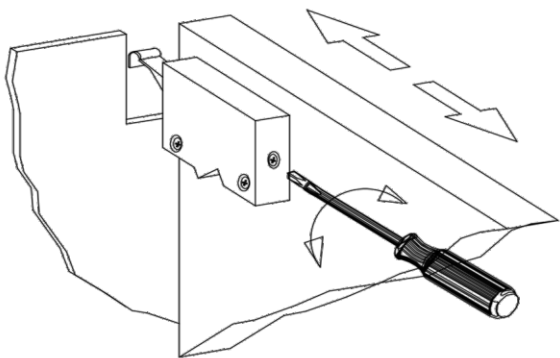
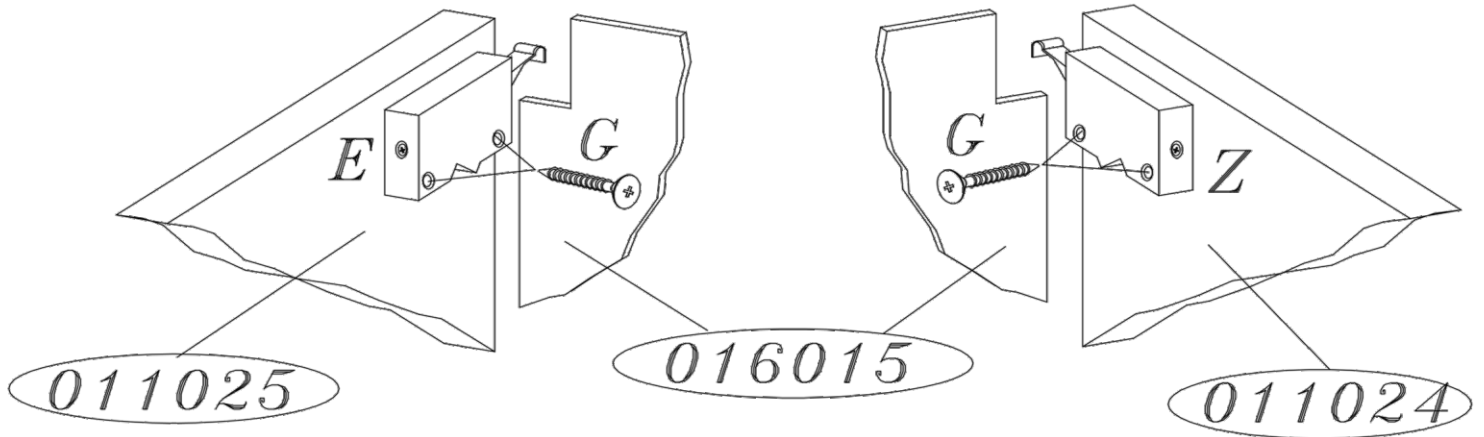
H

016001





A



A