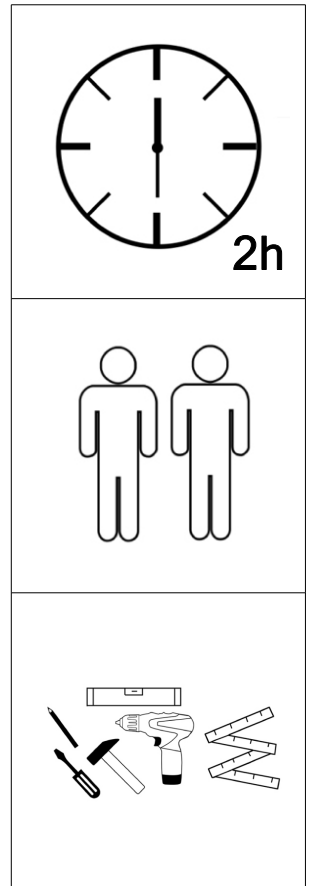
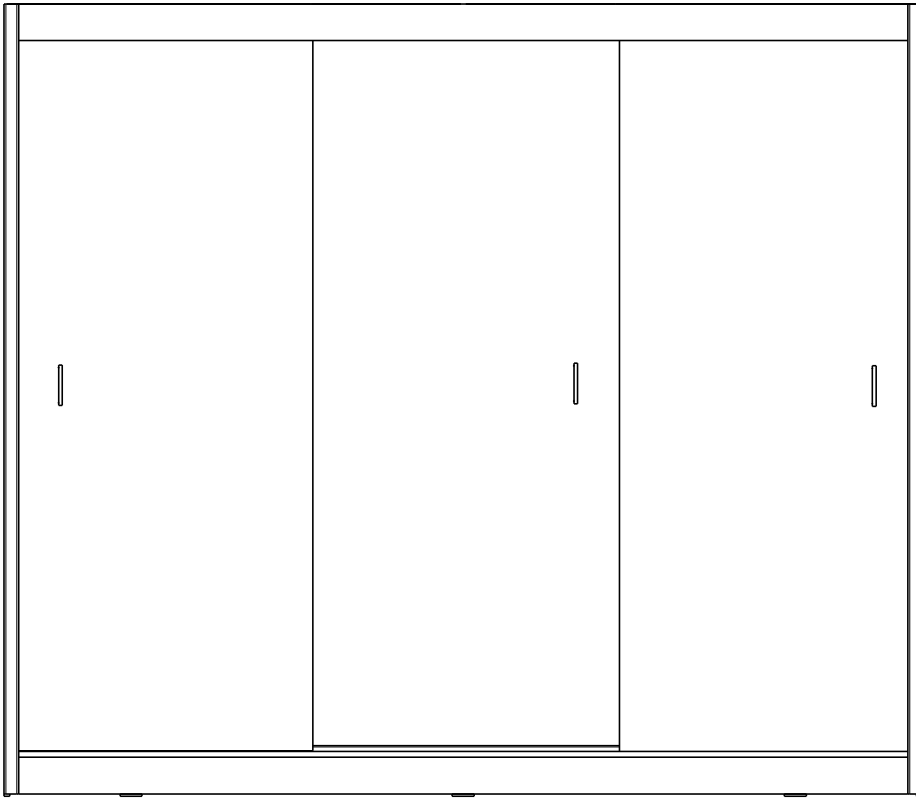
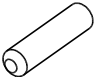
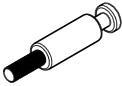


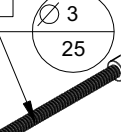
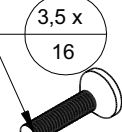
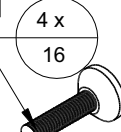
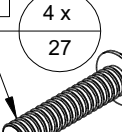
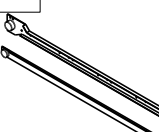
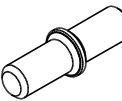

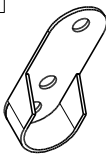




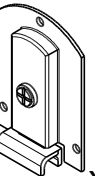
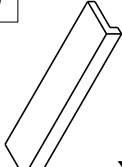
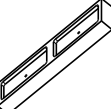

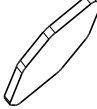

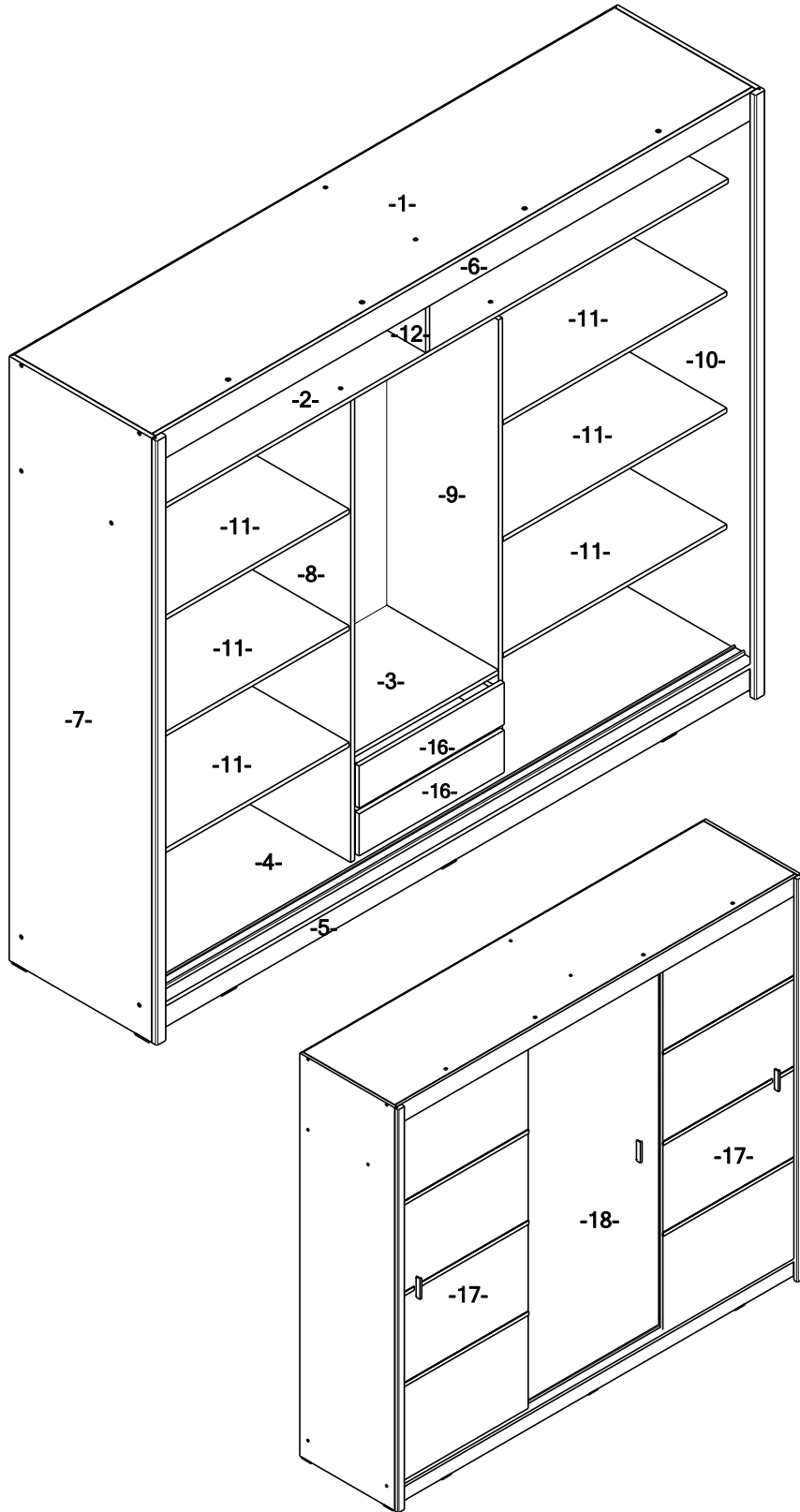
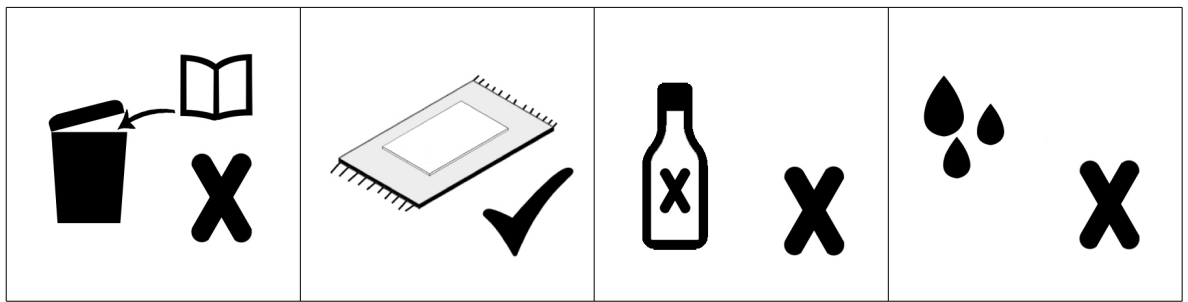


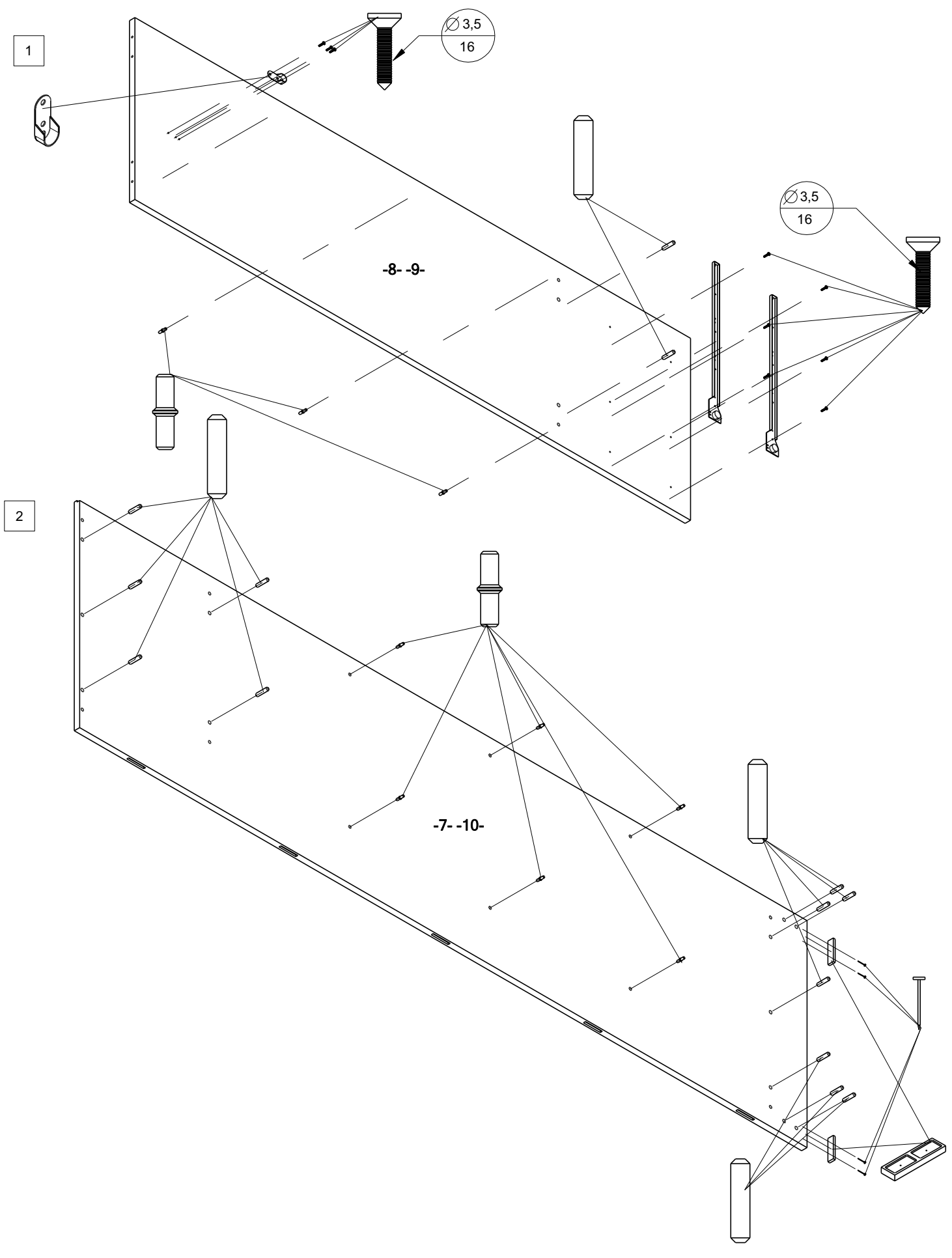
MERINA 250

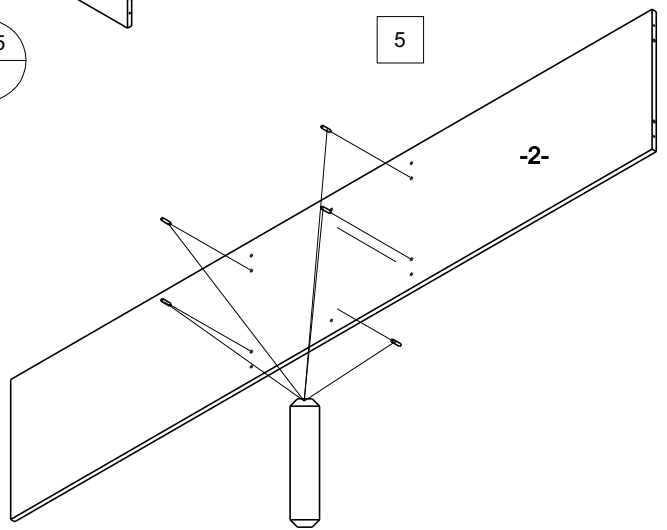
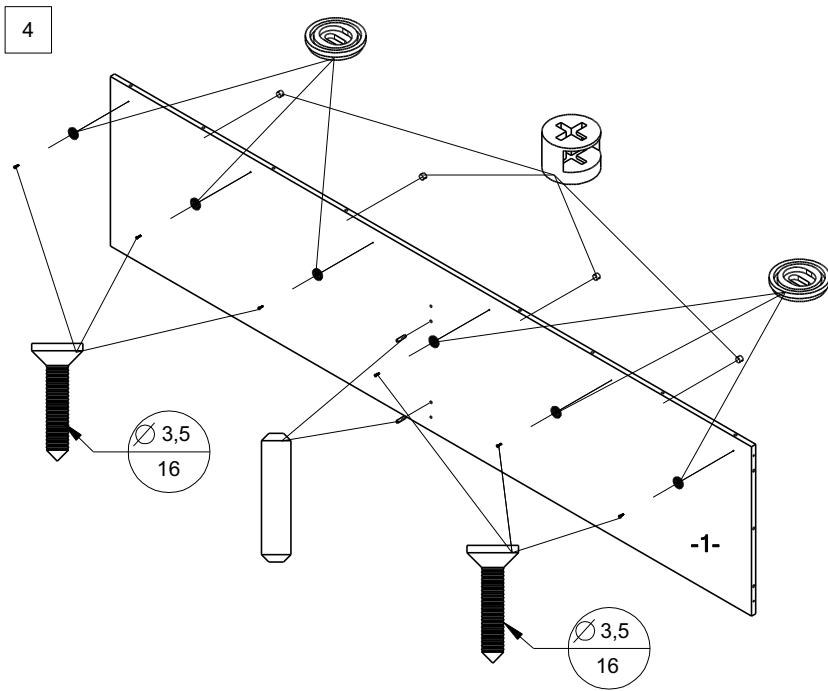
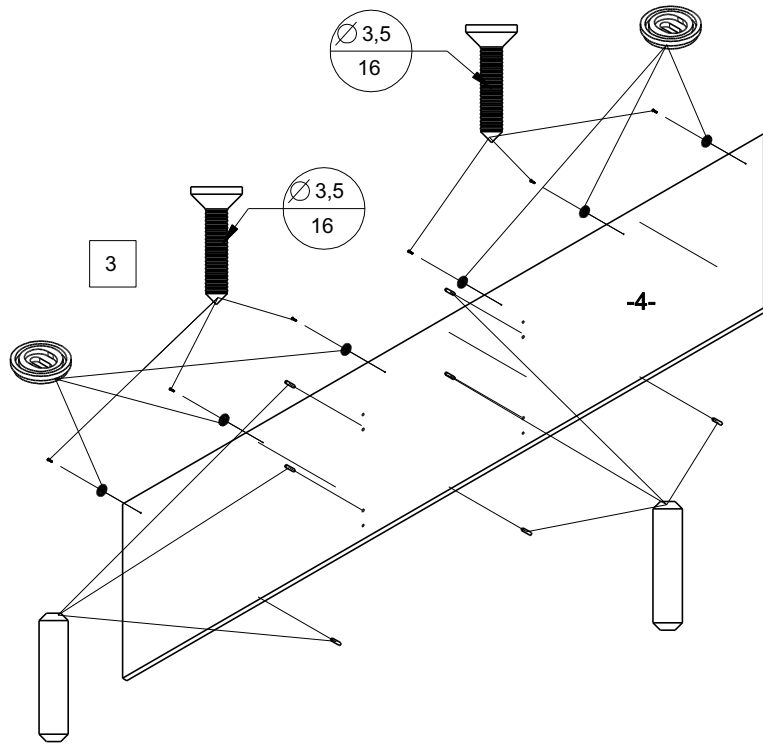


A  x54	B  x8	C  x8	D  x36	E  x12	F  x30	G  x42	H  x6
J  x4	K  x24	L  x1	M  x2	N  x2	P  x2	R  x12	S  x6
T  x6	U  x3	V  x10	W  x230	X  x10	Y  x2		

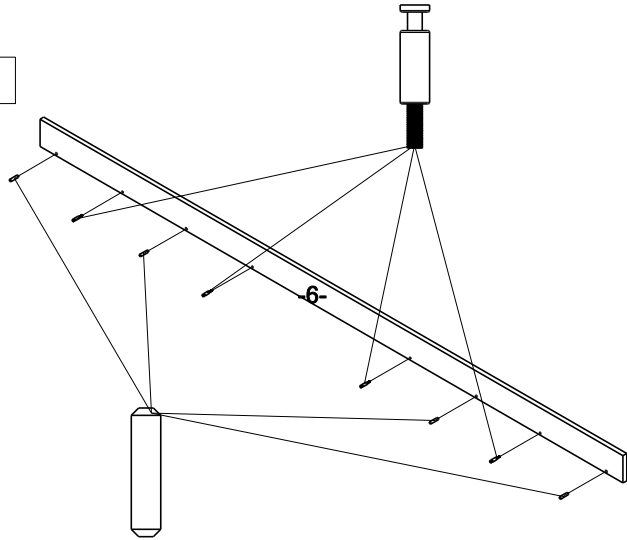


-1-	2468x565	2/4
-2-	2468x466	2/4
-3-	600x466	2/4
-4-	2468x581	2/4
-5-	2x 2468x100	2/4
-6-	2468x70	2/4
-7-	2150x585	1/4
-8-	1642x466	2/4
-9-	1642x466	2/4
-10-	2150x585	1/4
-11-	6x 918x460	1/4
-12-	466x360	2/4
-13-	2x 400x100	2/4
-14-	2x 400x100	2/4
-15-	2x 544x100	1/4
-16-	2x 596x150	1/4
-17-	2x 1990x825	3/4; 4/4
-18-	1990x900	4/4
-19-	3x2050x826	3/4
-20-	2x 573x406	1/4

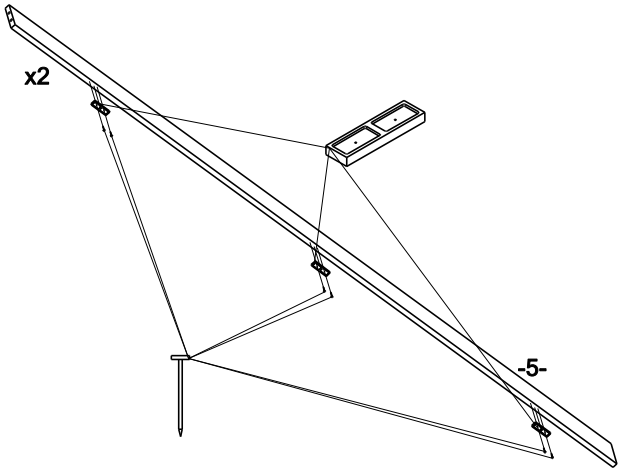




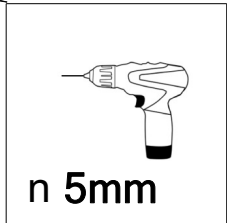
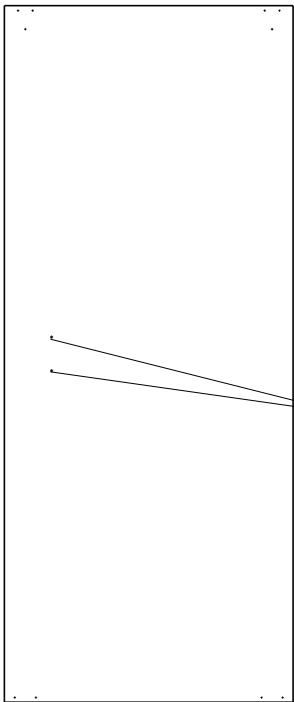
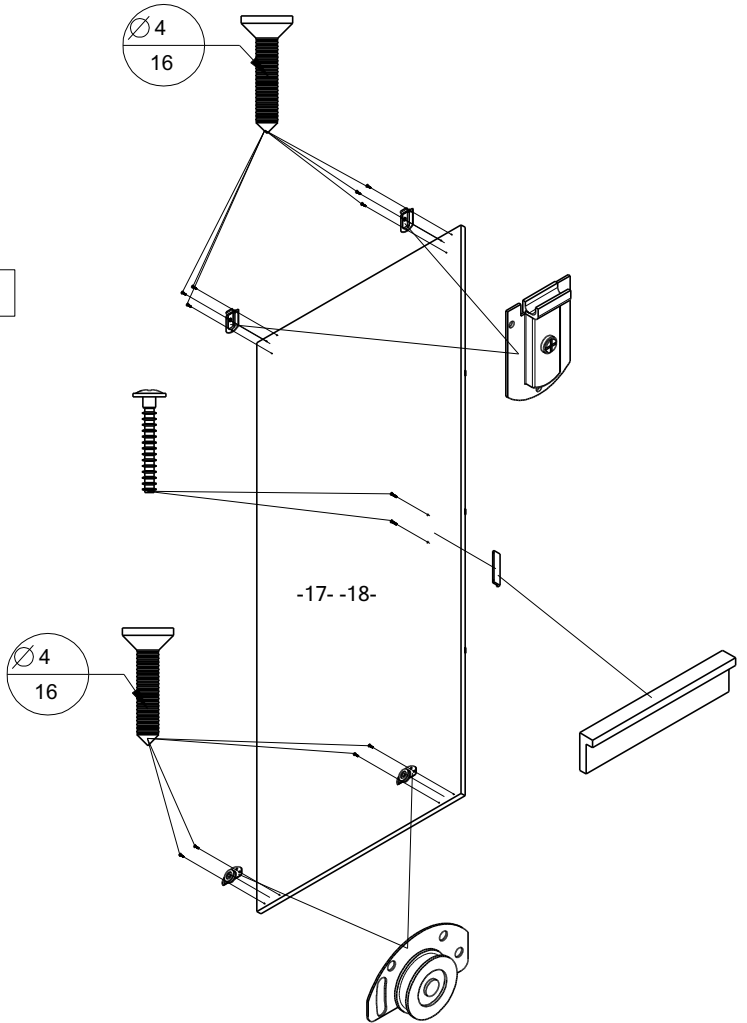
6



7

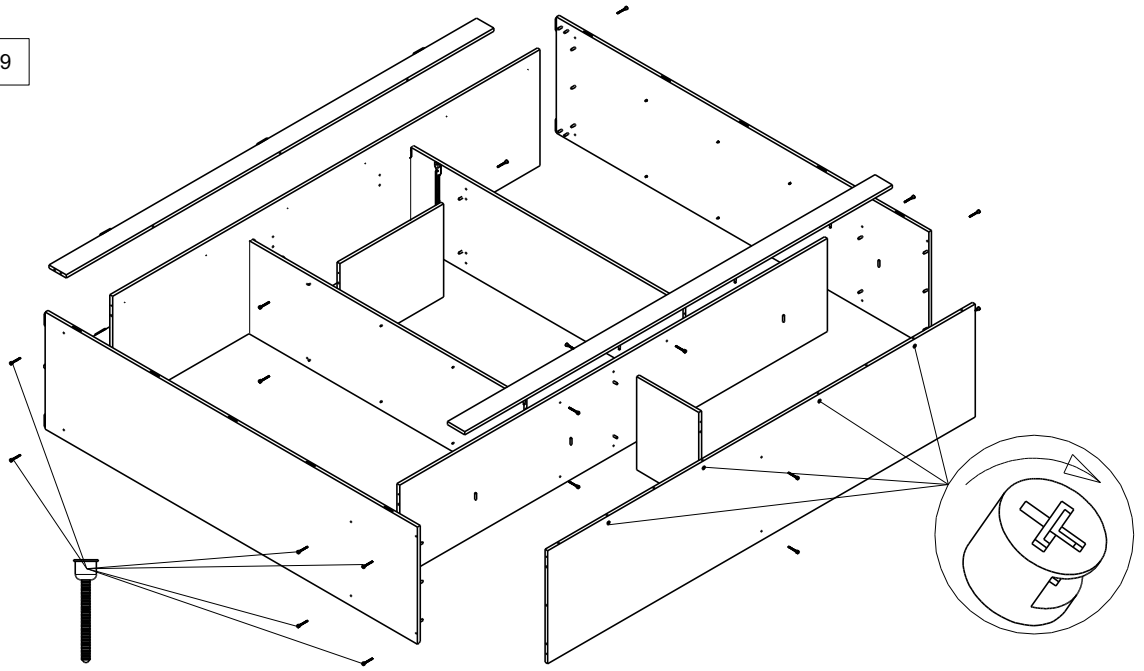


8

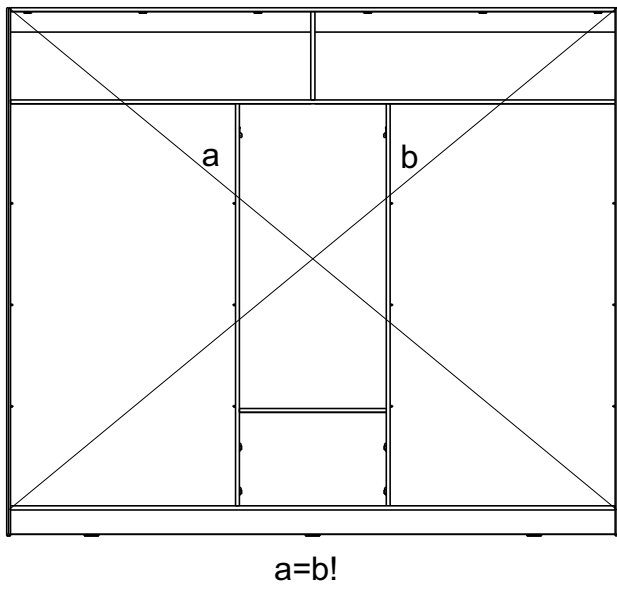


n 5mm

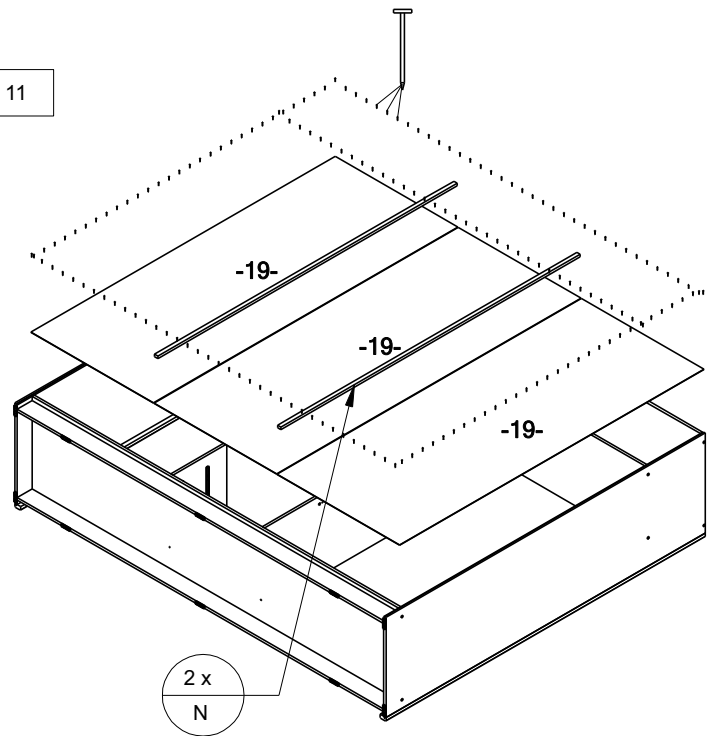
9

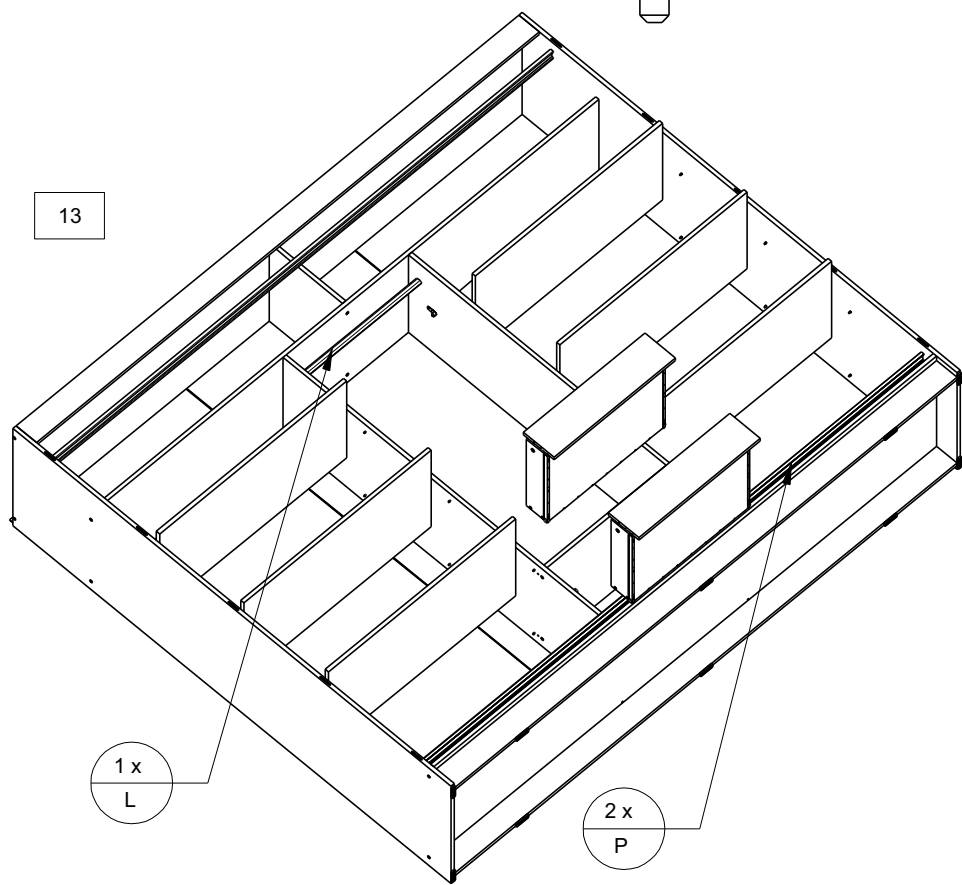
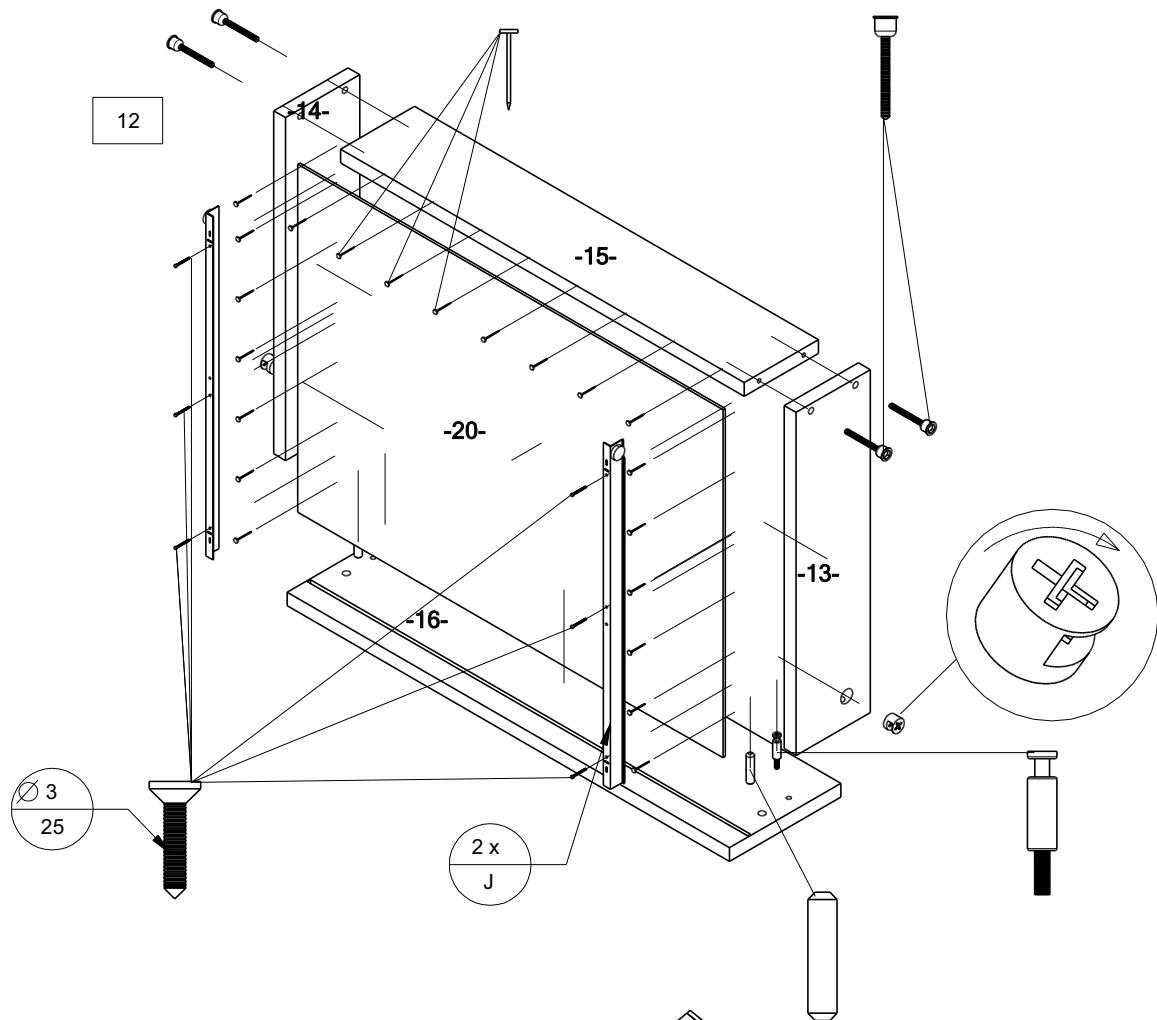


10

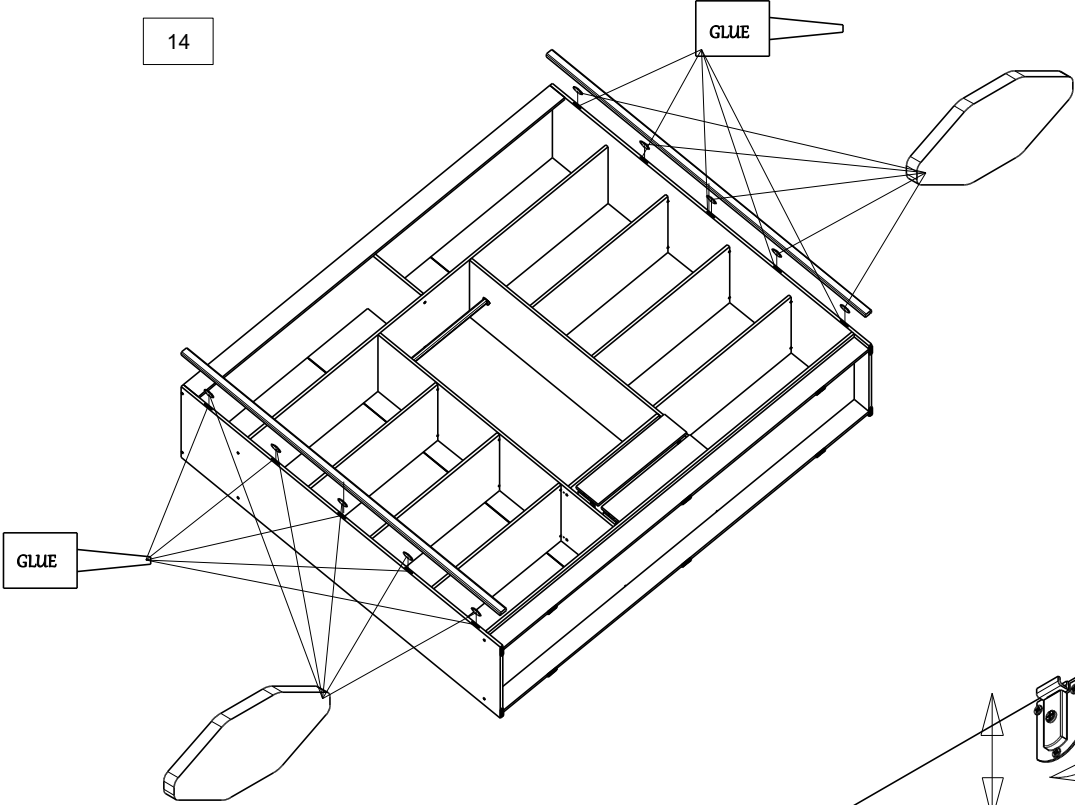


11





14



16

