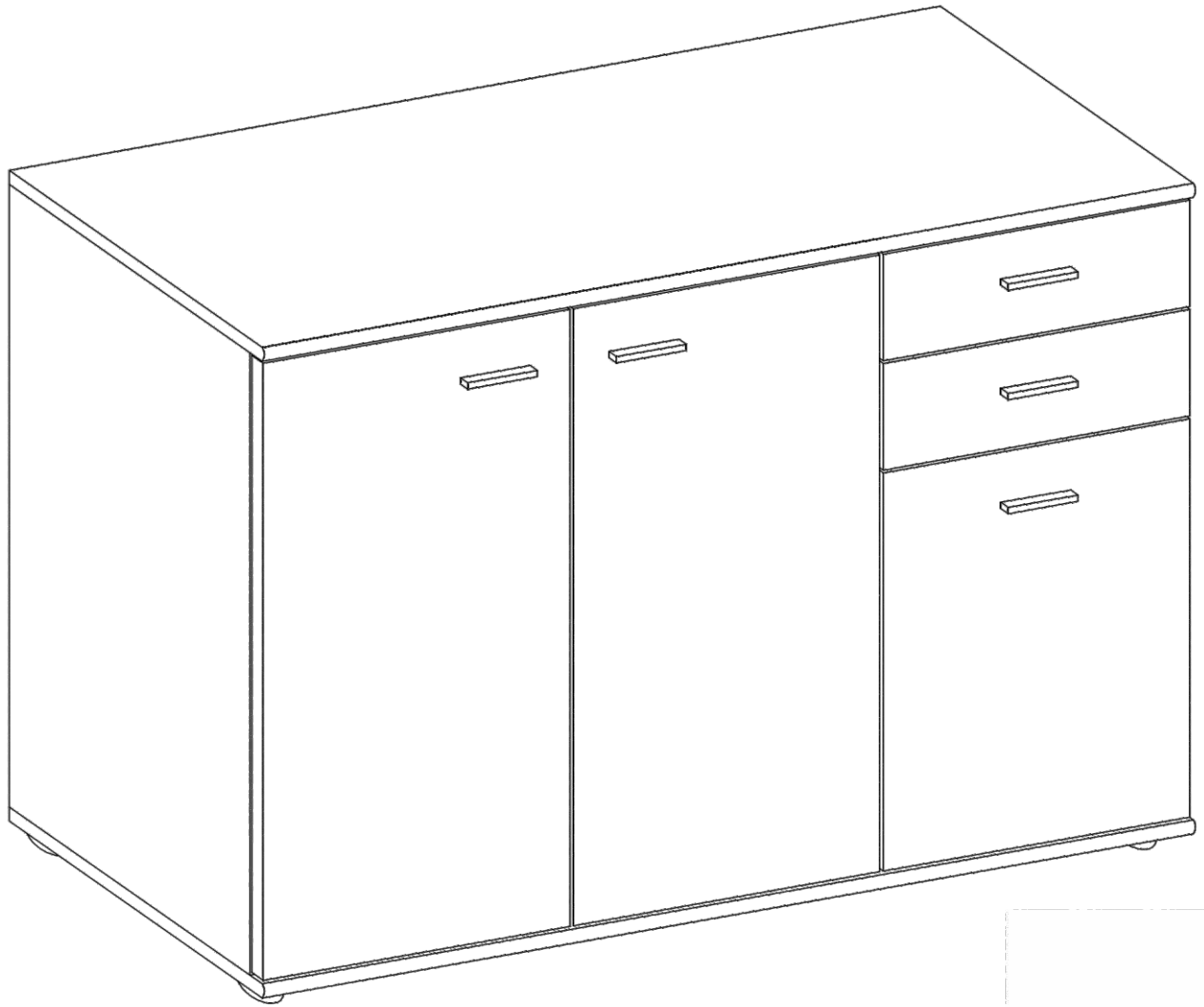
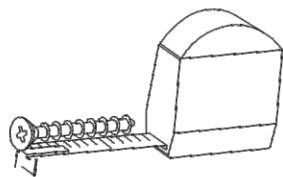
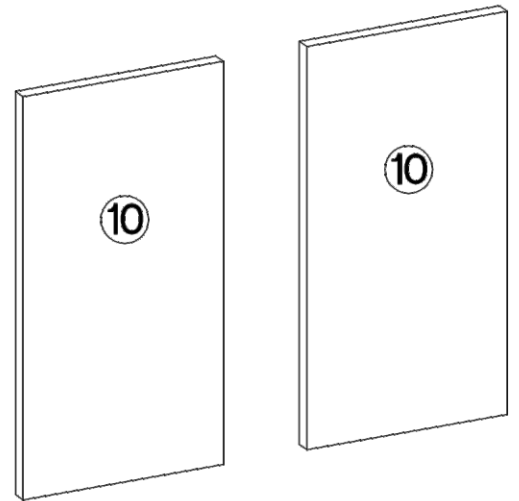
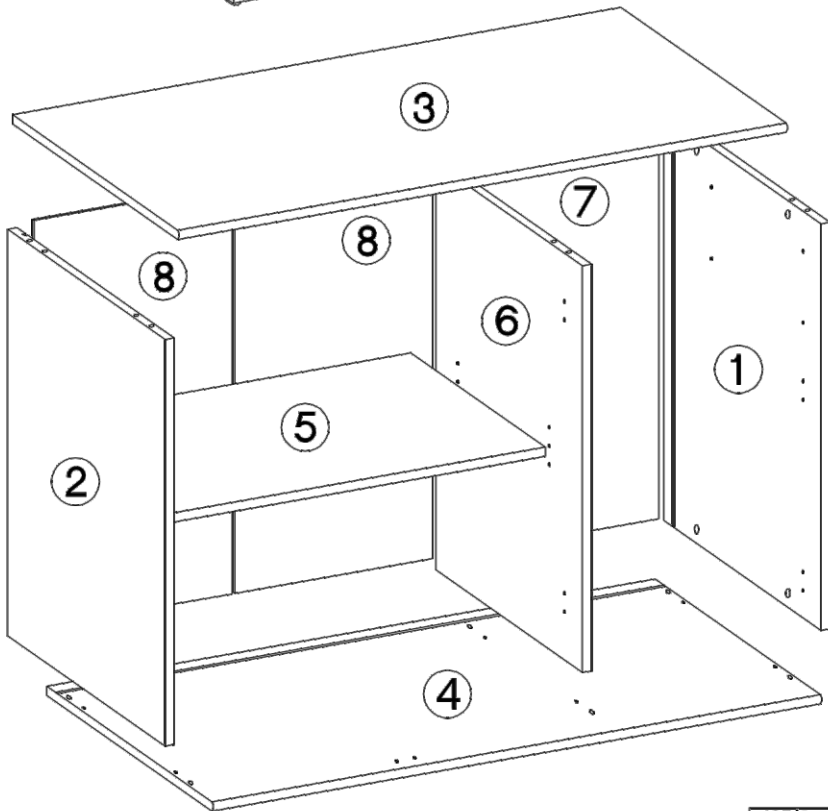
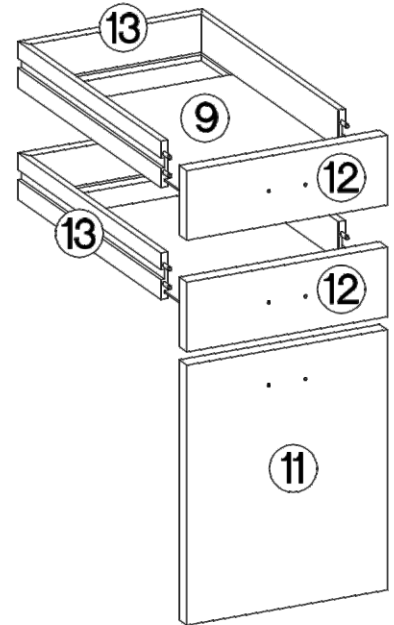
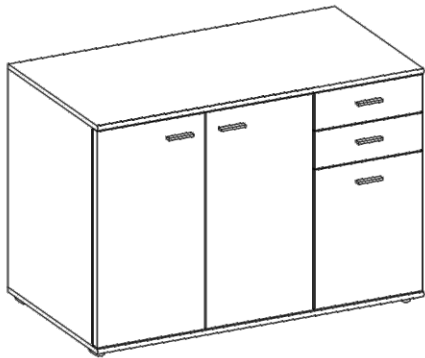
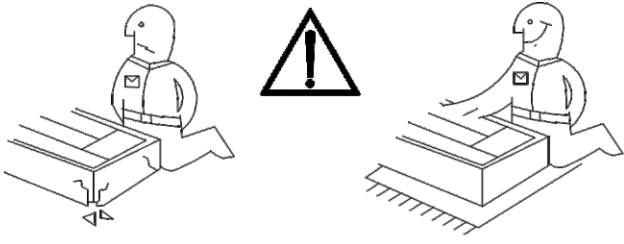










# TAMPA 3T2S

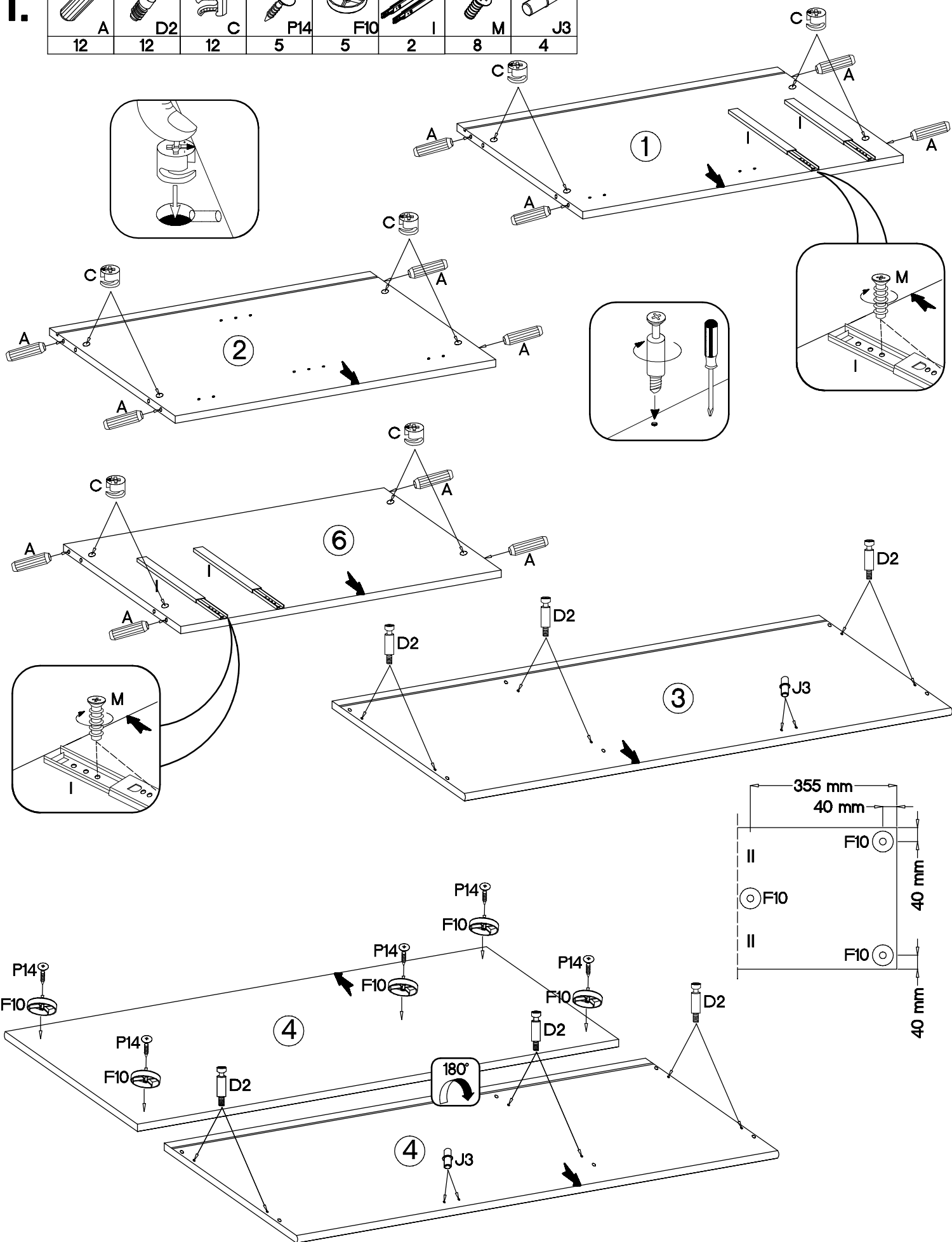






$\pm 35/0\text{mm}$  G	$L=246/17\text{mm}$  I	$\pm 4.0 \times 30\text{mm}$  R2	 L2	 J3	 L	$\pm 3.0 \times 20\text{mm}$  P7	
4	2	10	5	8	10	5	
$\pm 3.5 \times 13\text{mm}$  P5	 H	$\pm 35/9\text{mm}$  G1	$\pm 4.0 \times 25\text{mm}$  P14	 F10	$M4 \times 9\text{mm}$  U1	$\pm 10 \times 50\text{mm}$  O7	 L9
13	6	2	5	5	4	1	1
$L=64\text{mm}$  S13	$L=698\text{mm}$  L1	$\pm 5.0 \times 13\text{mm}$  M	$\pm 8 \times 30\text{mm}$  A	$L=20\text{mm}$  D2	$\pm 16/12\text{mm}$  C	 E	 O1
5	1	8	20	12	12	8	1

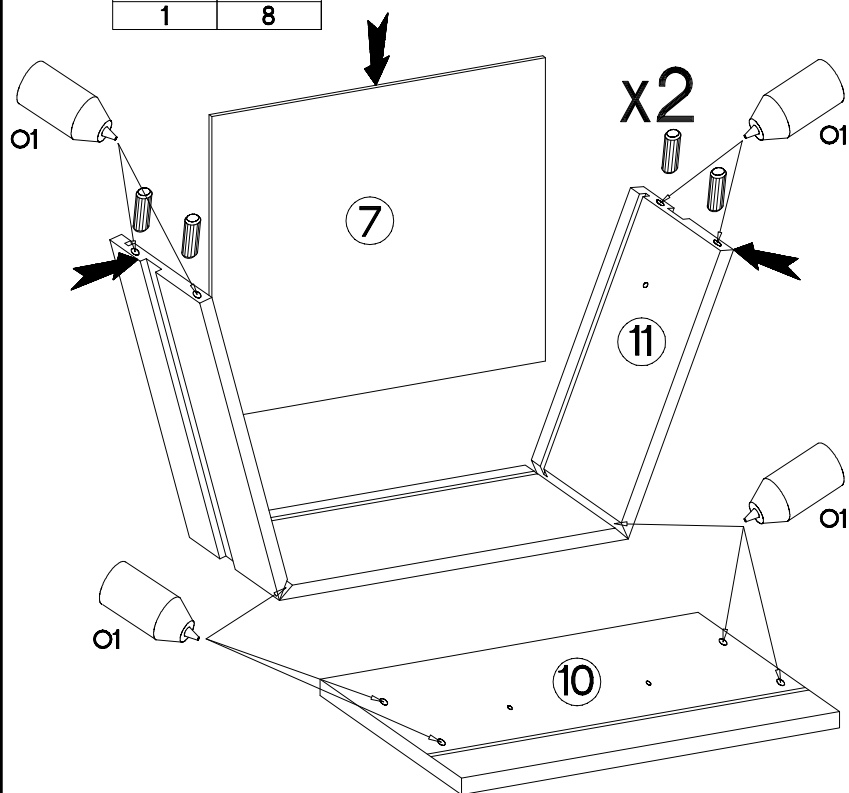
**1.**

							
A	D2	C	P14	F10	I	M	J3
12	12	12	5	5	2	8	4

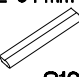



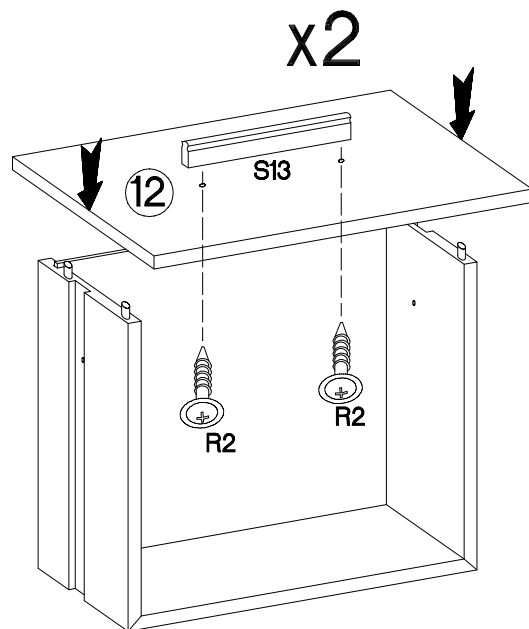
2.

	
O1	A
1	8

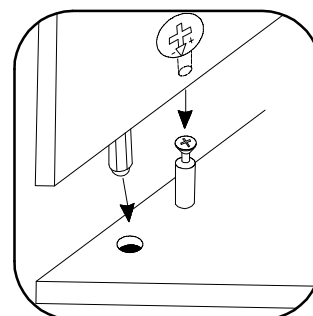
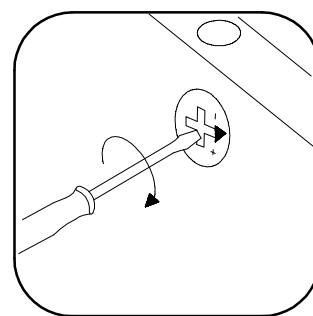
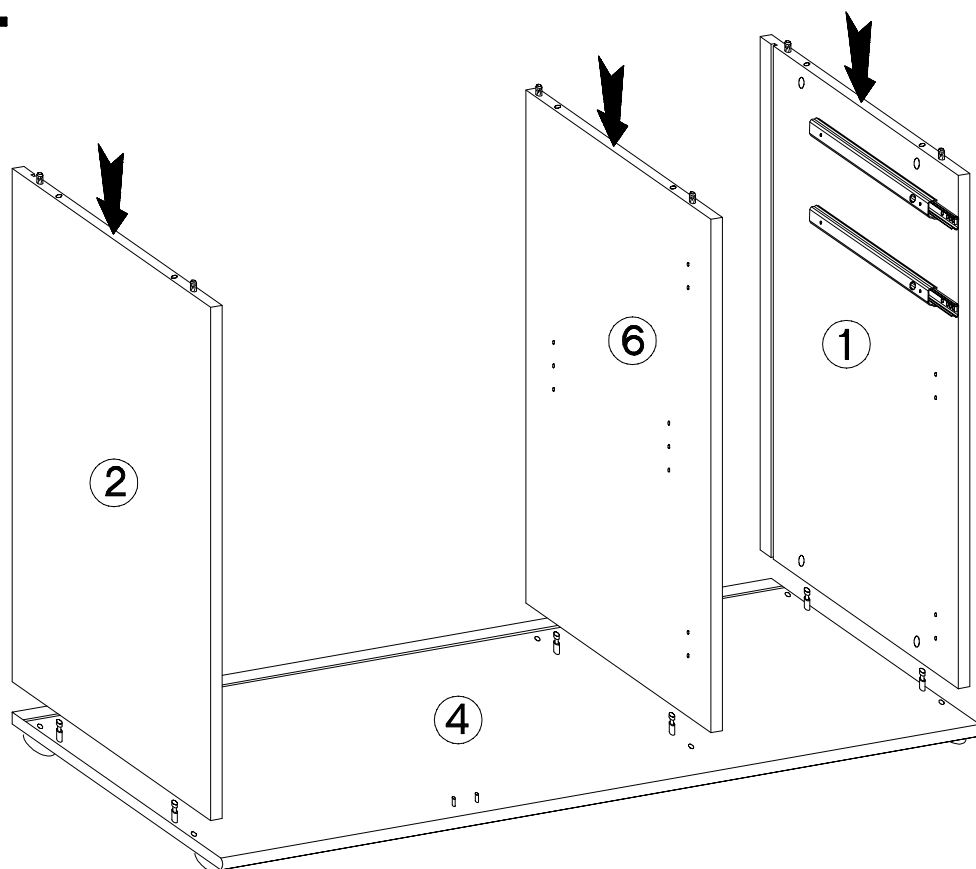


3.

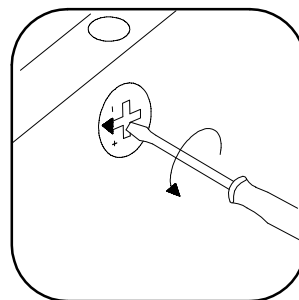
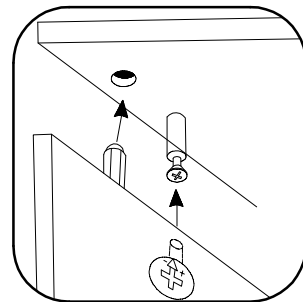
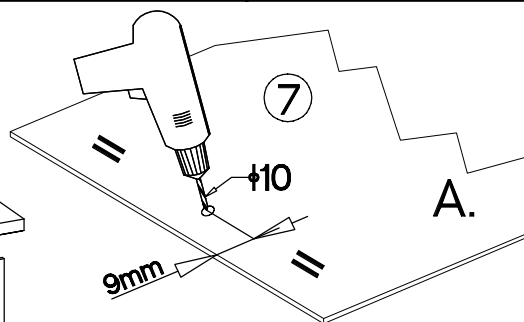
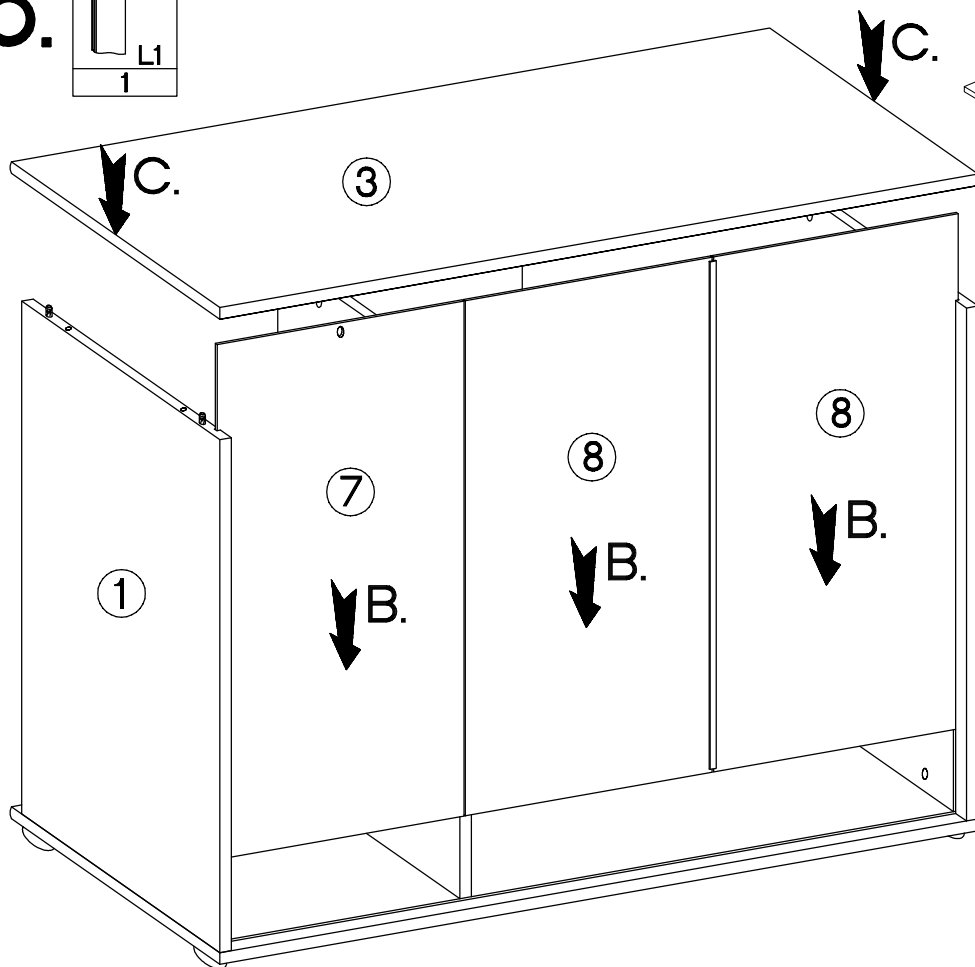
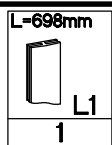
	
S13	R2
2	4



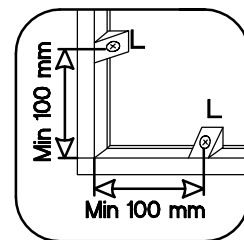
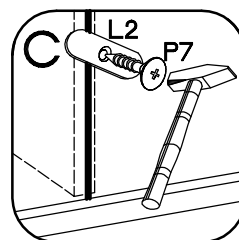
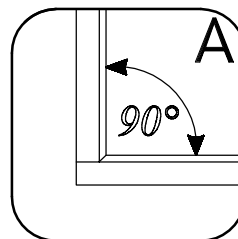
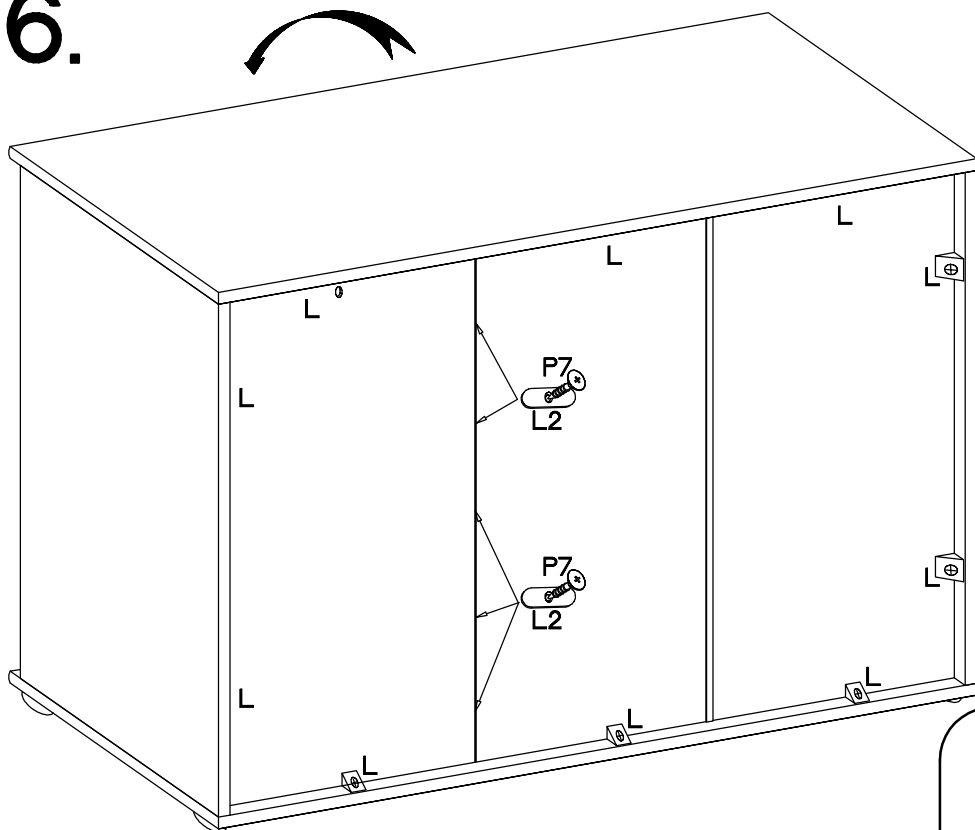
4.



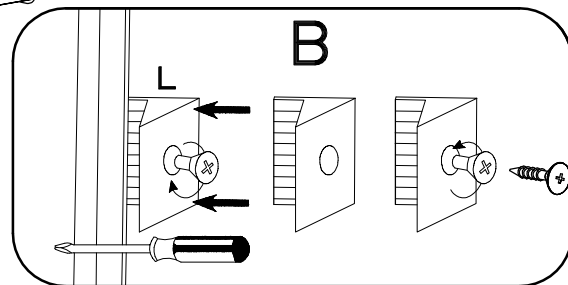
5.



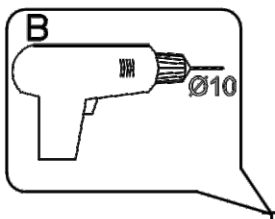
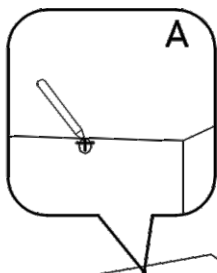
6.



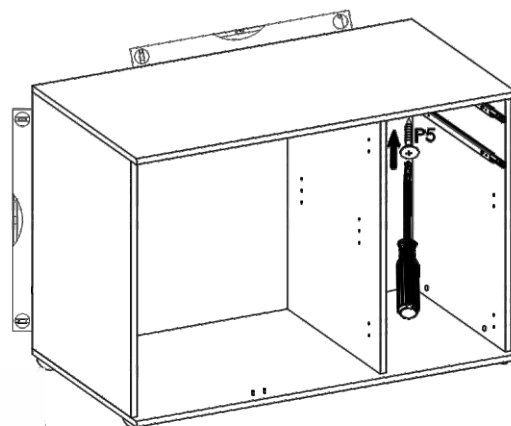
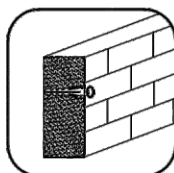
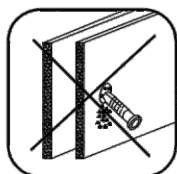
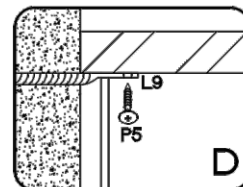
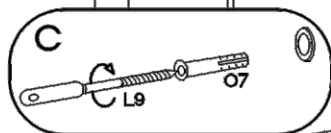
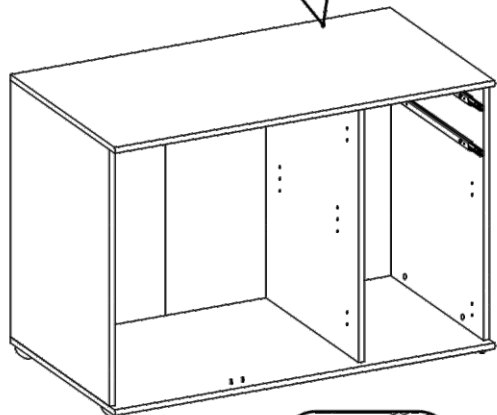
L	P7	L2
10	5	5



7.

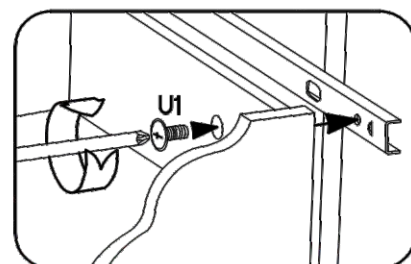
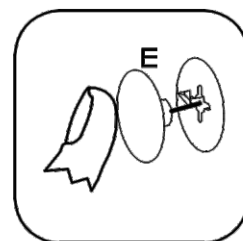
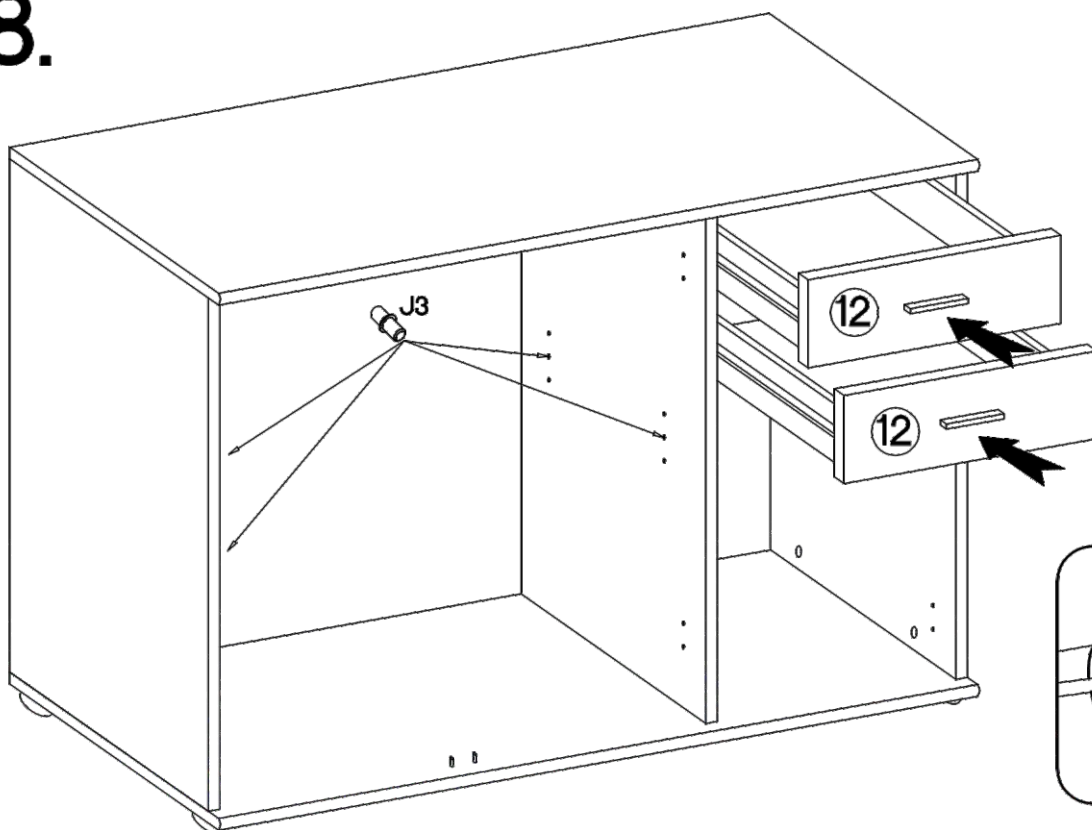


Ø3.5x13mm P5 1	Ø10x50mm O7 1	L9 1
----------------------	---------------------	---------


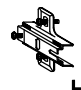




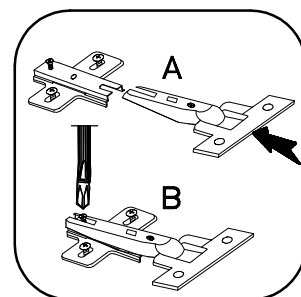
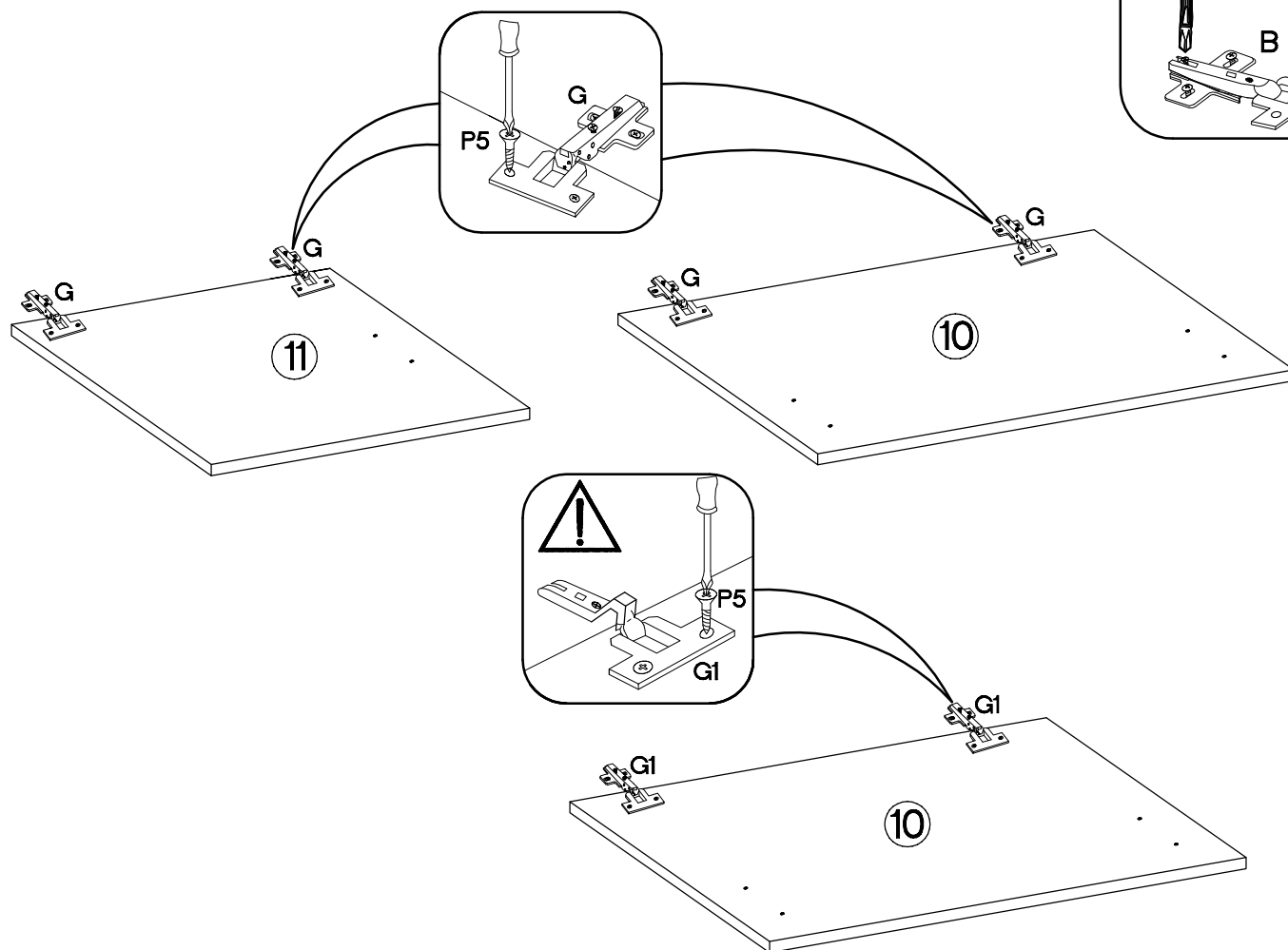
8.

J3 4	M4x9mm U1 4	E 8
---------	-------------------	--------





9.

Ø3.5x13mm		Ø35/9mm	Ø35/0mm
			
P5	H	G1	G
12	6	2	4



10.

L=64 mm	±4.0x30mm
	
S13	R2
3	6

