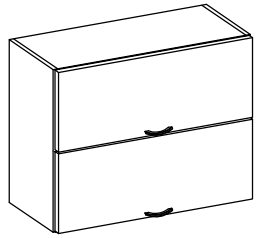
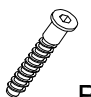

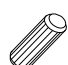

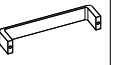


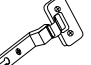


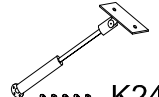
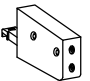

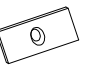
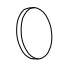
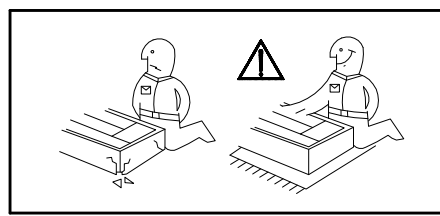
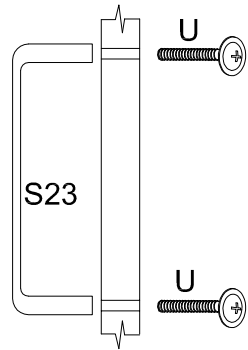
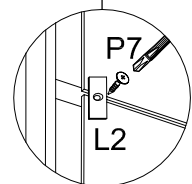
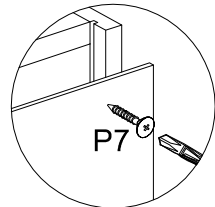
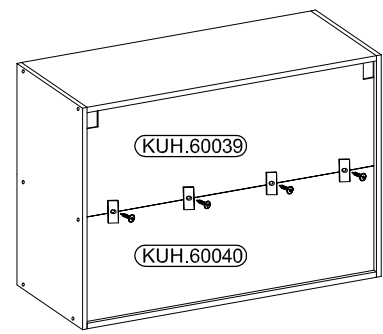
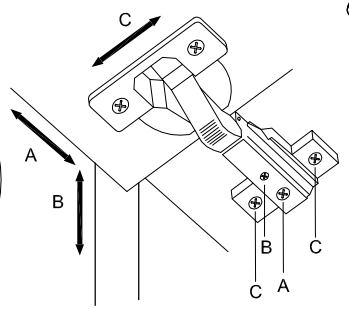
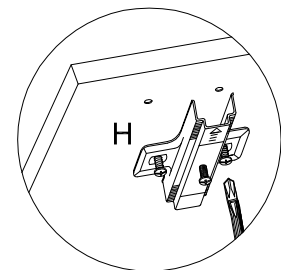
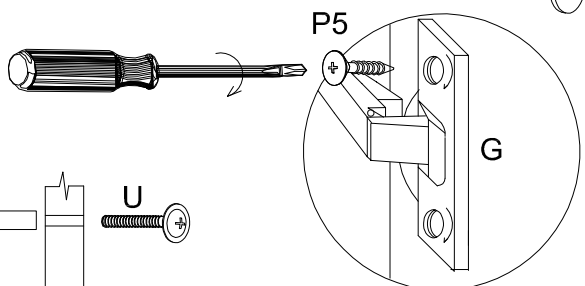
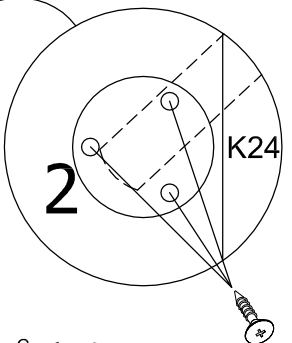
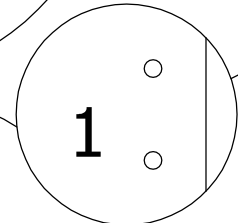
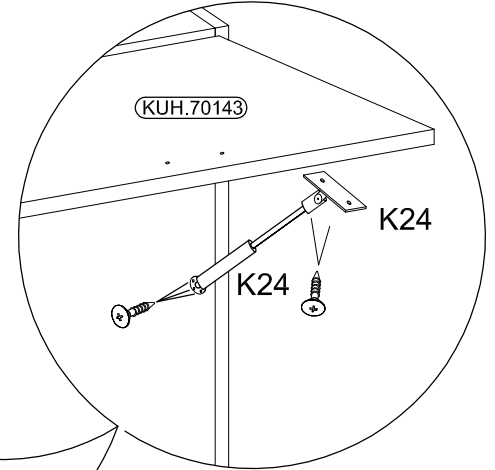
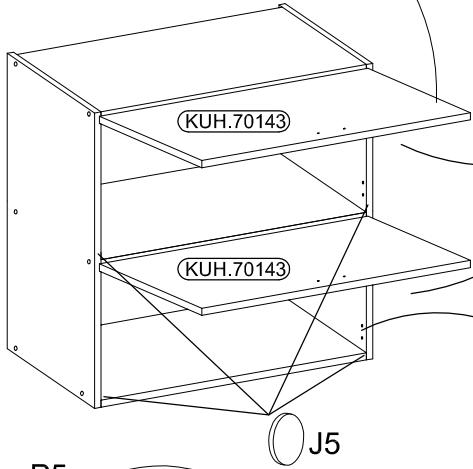
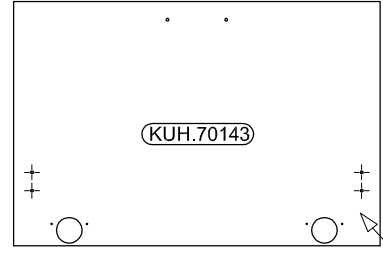
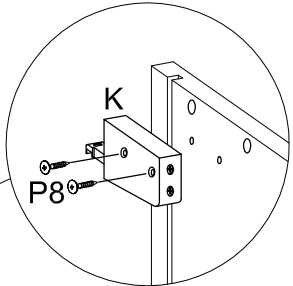
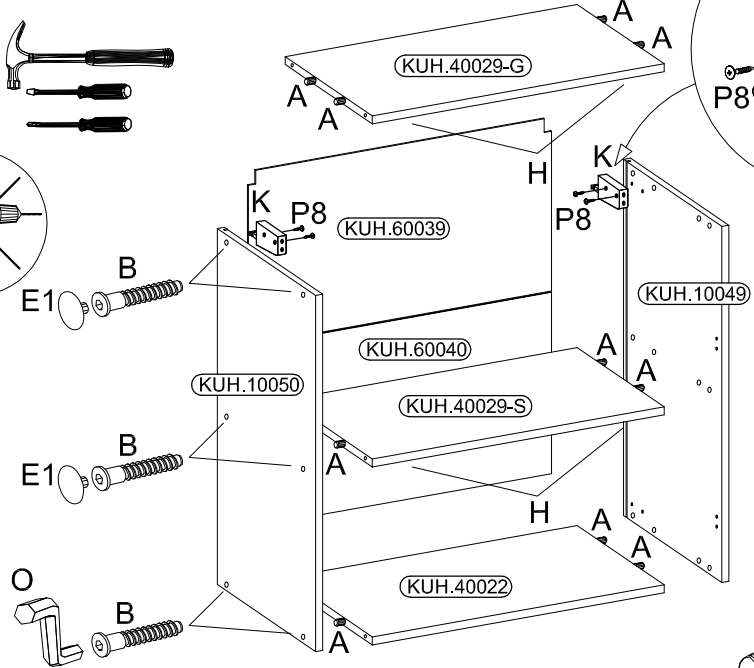
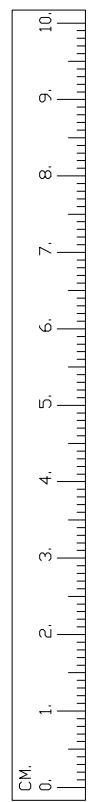
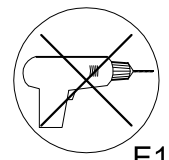
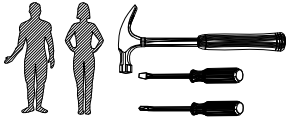


80 GU-72 2F



 B 12	 E1 12	 A 12	 O 1	 S23 2	 M4.0x22mm U 4	 Ø3.0x20mm P7 10-15	 G 4	 H 4	 Ø3.5x13mm P5 8	 K24 4	 K 2	 Ø4.0x30mm P8 4
 L2 4	 J5 4											



80 GU-72 2F

