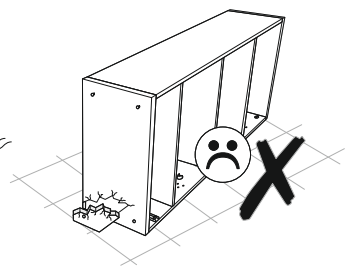
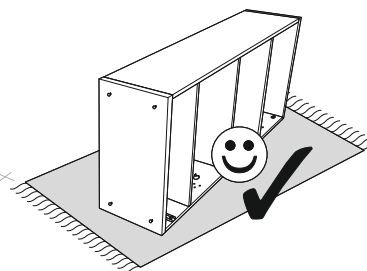
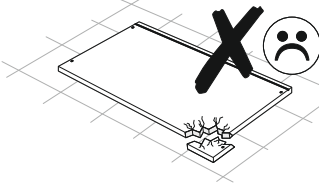
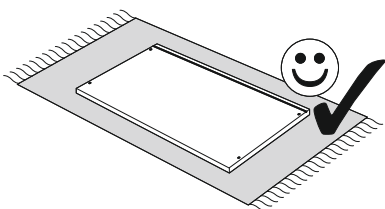
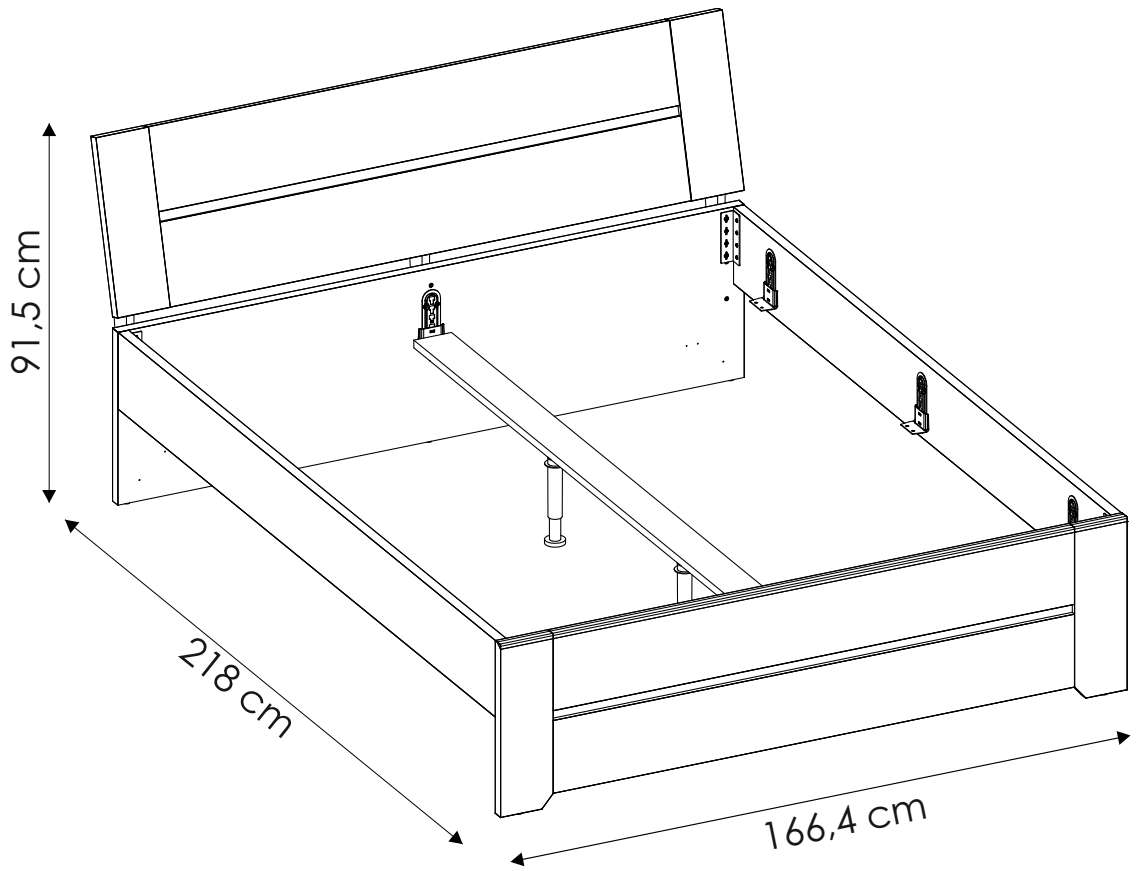
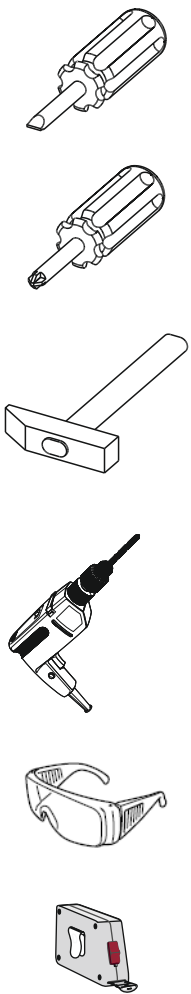
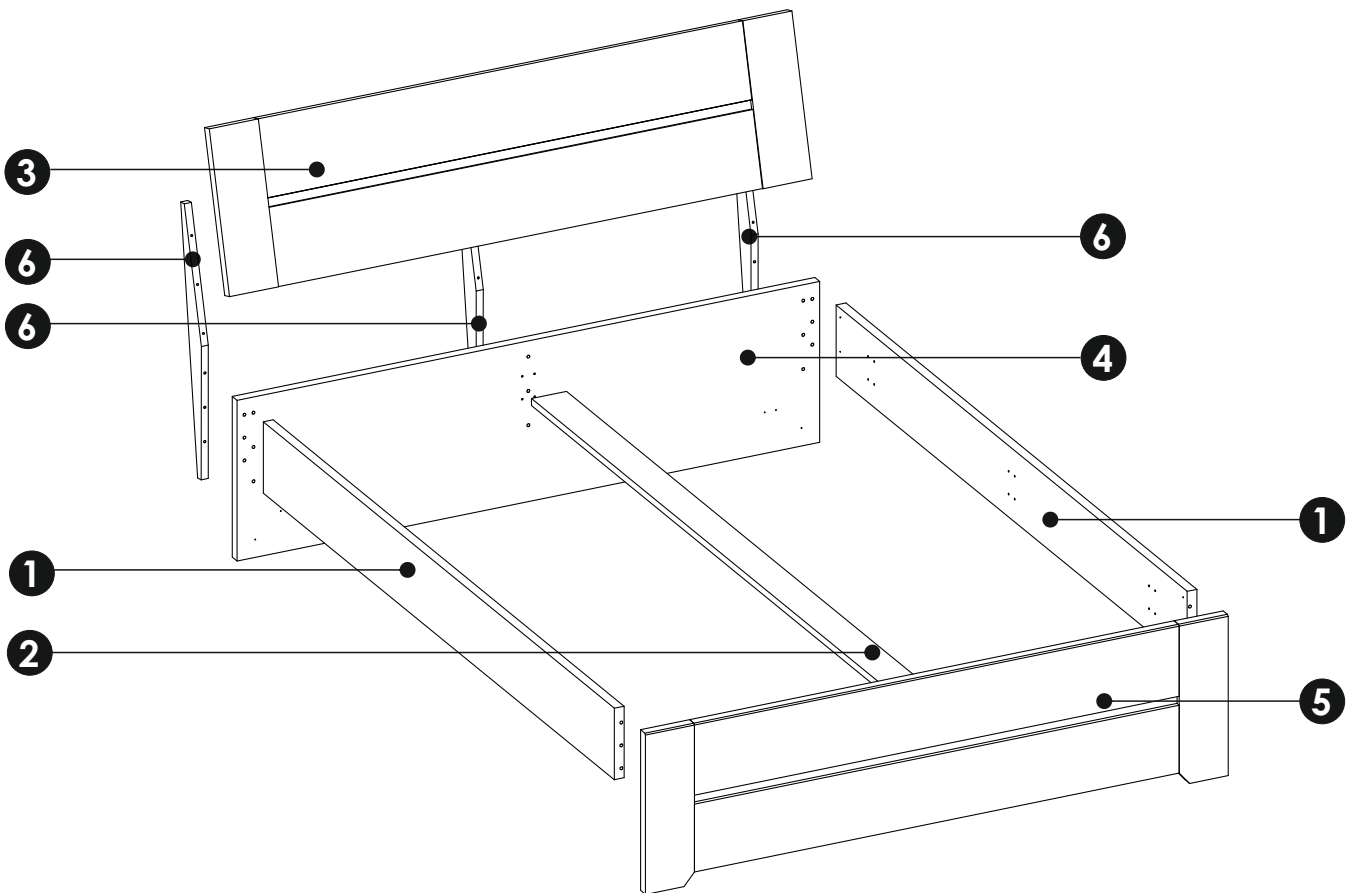
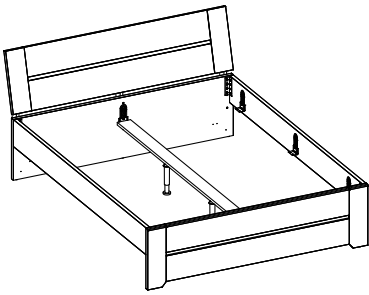


ANGEL 92



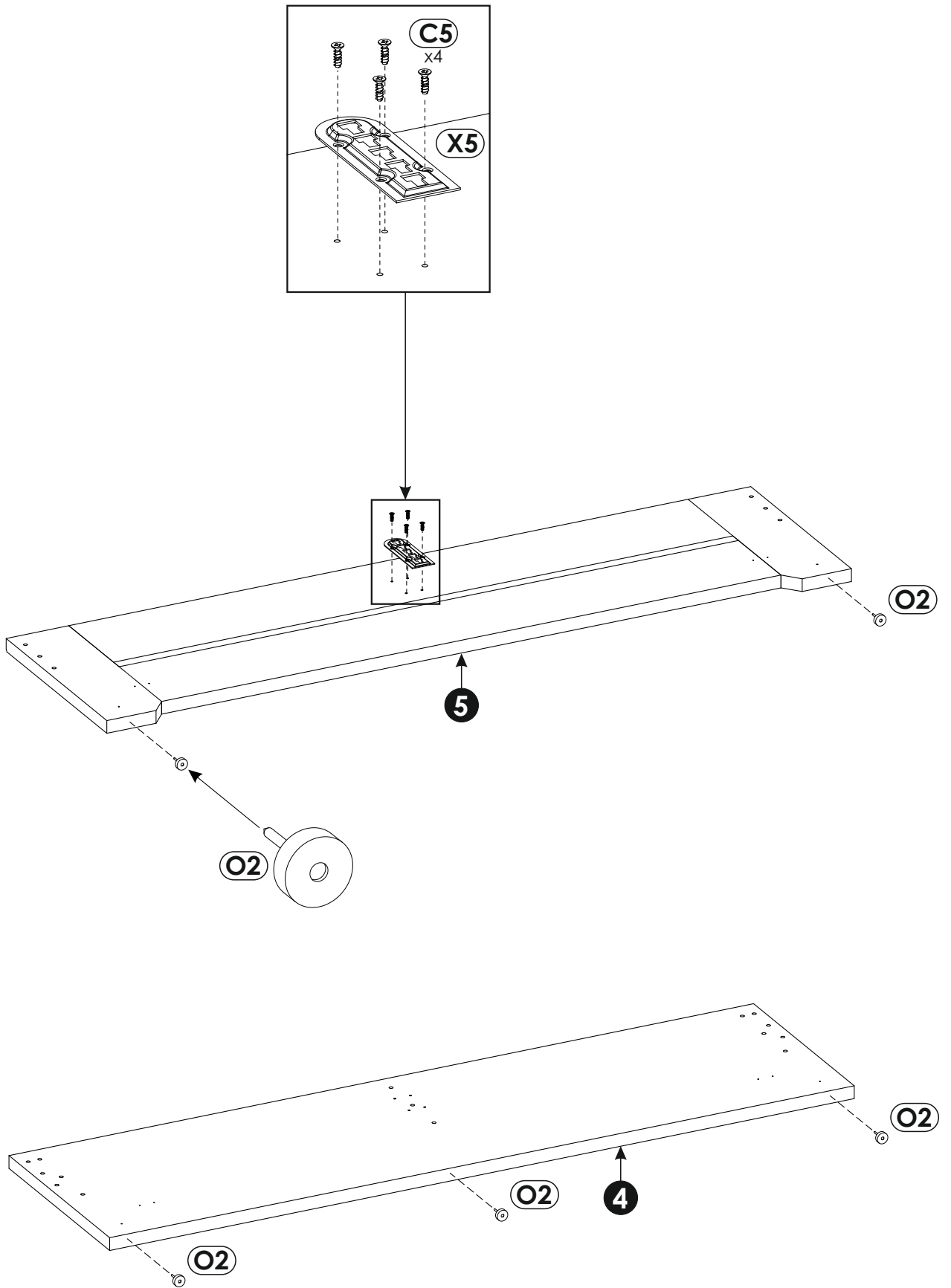


ANGEL 92

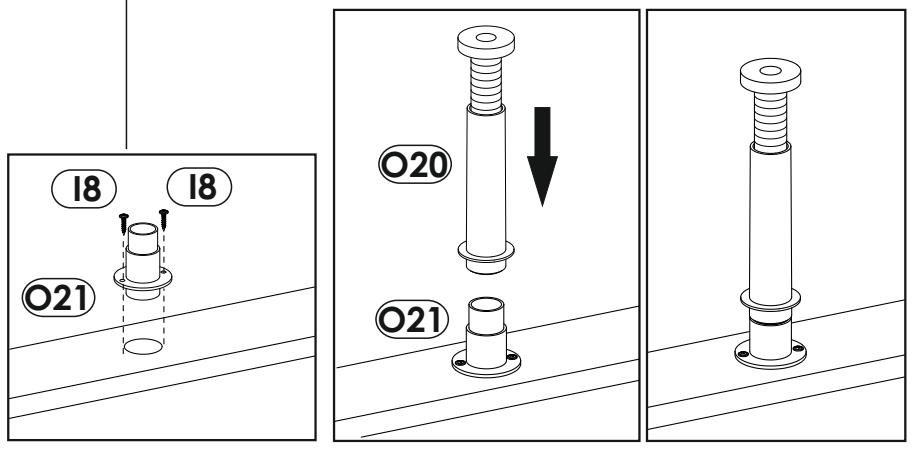
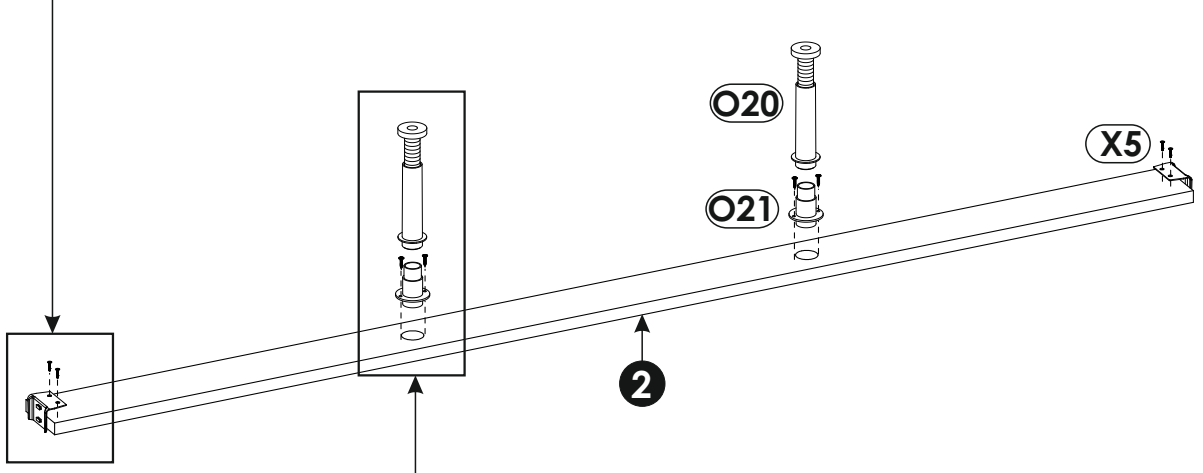
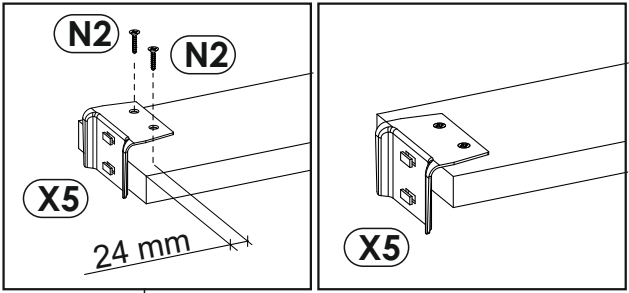
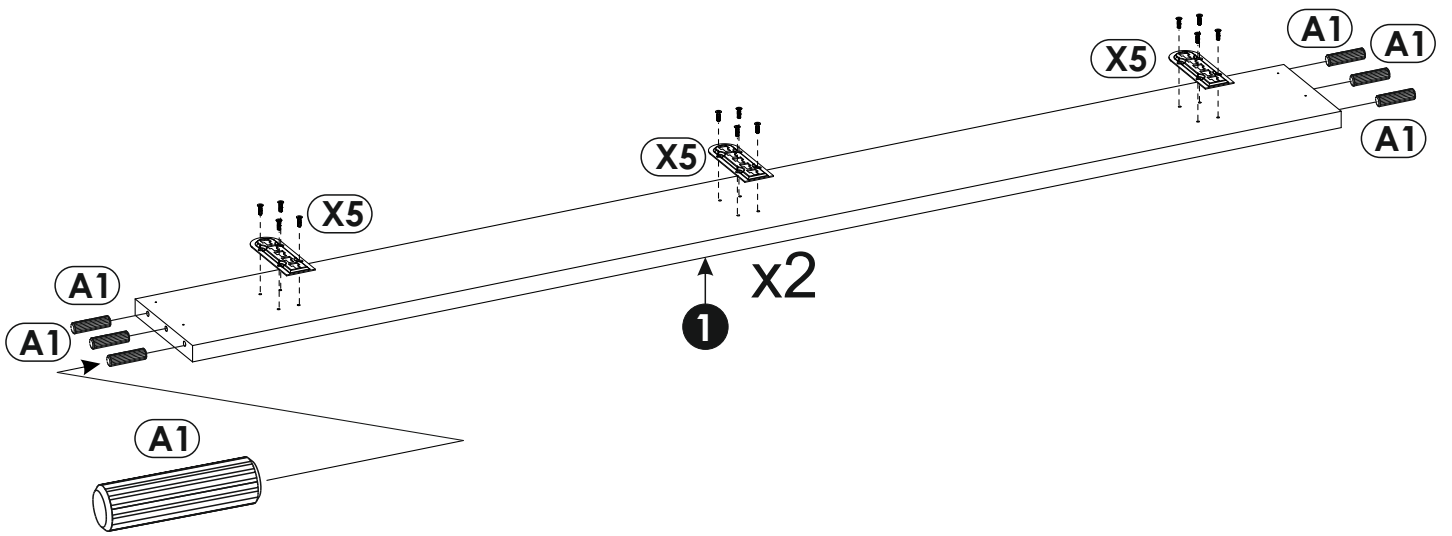


1	2005	200	28	x2	1/3
2	1988	100	20	x1	1/3
3	1664	439	28	x1	2/3
4	1664	450	28	x1	3/3
5	1664	450	28	x1	2/3
6	740	70	20	x3	1/3

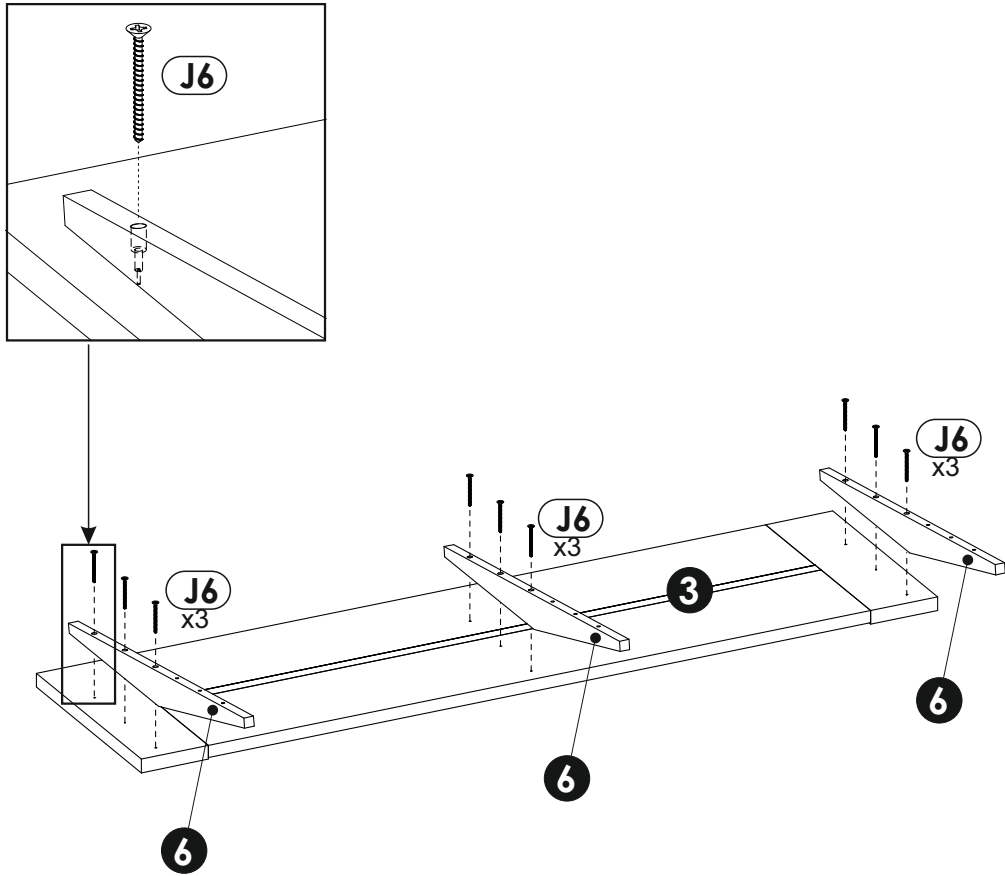
1 ▶



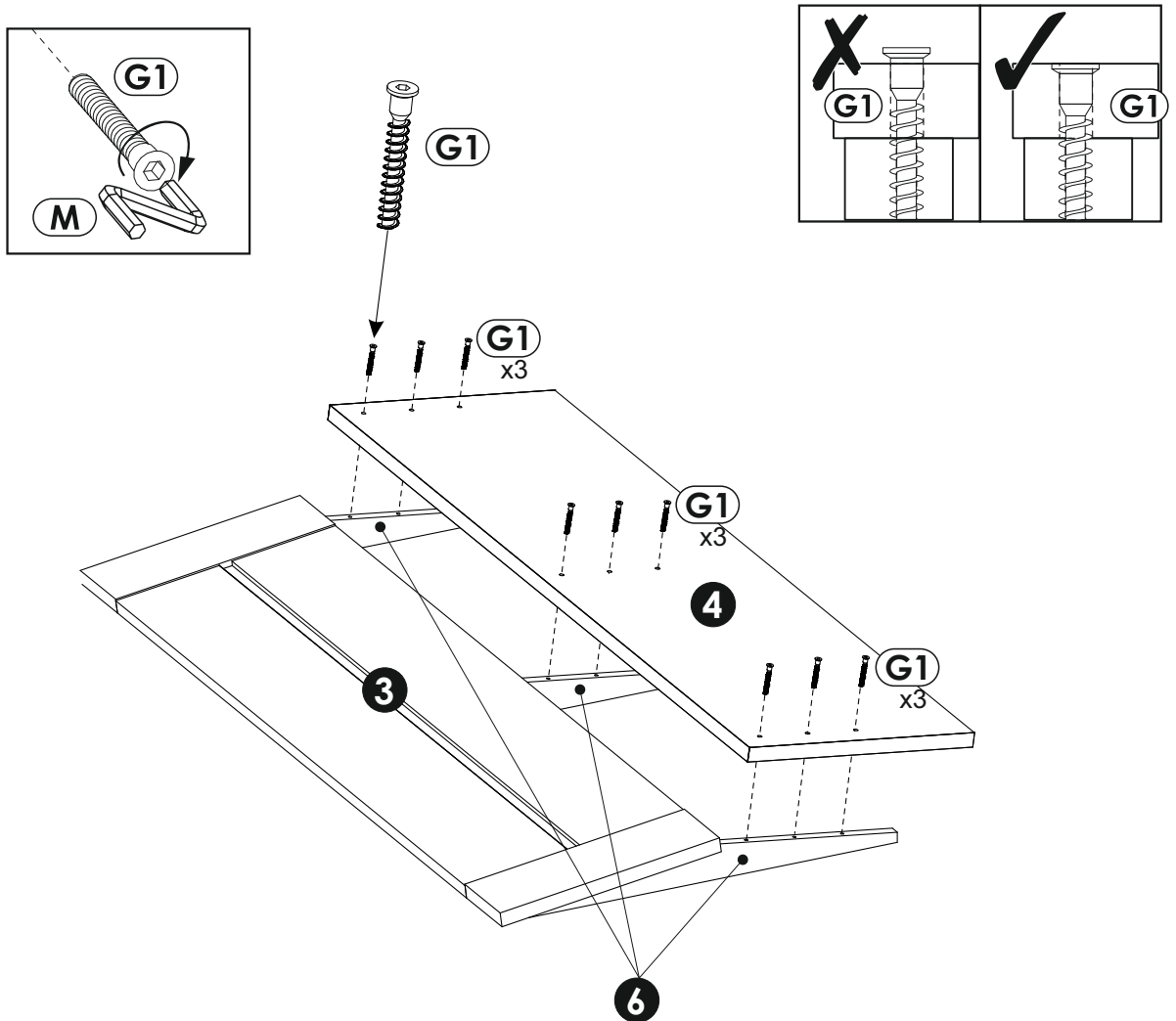
2 ▶



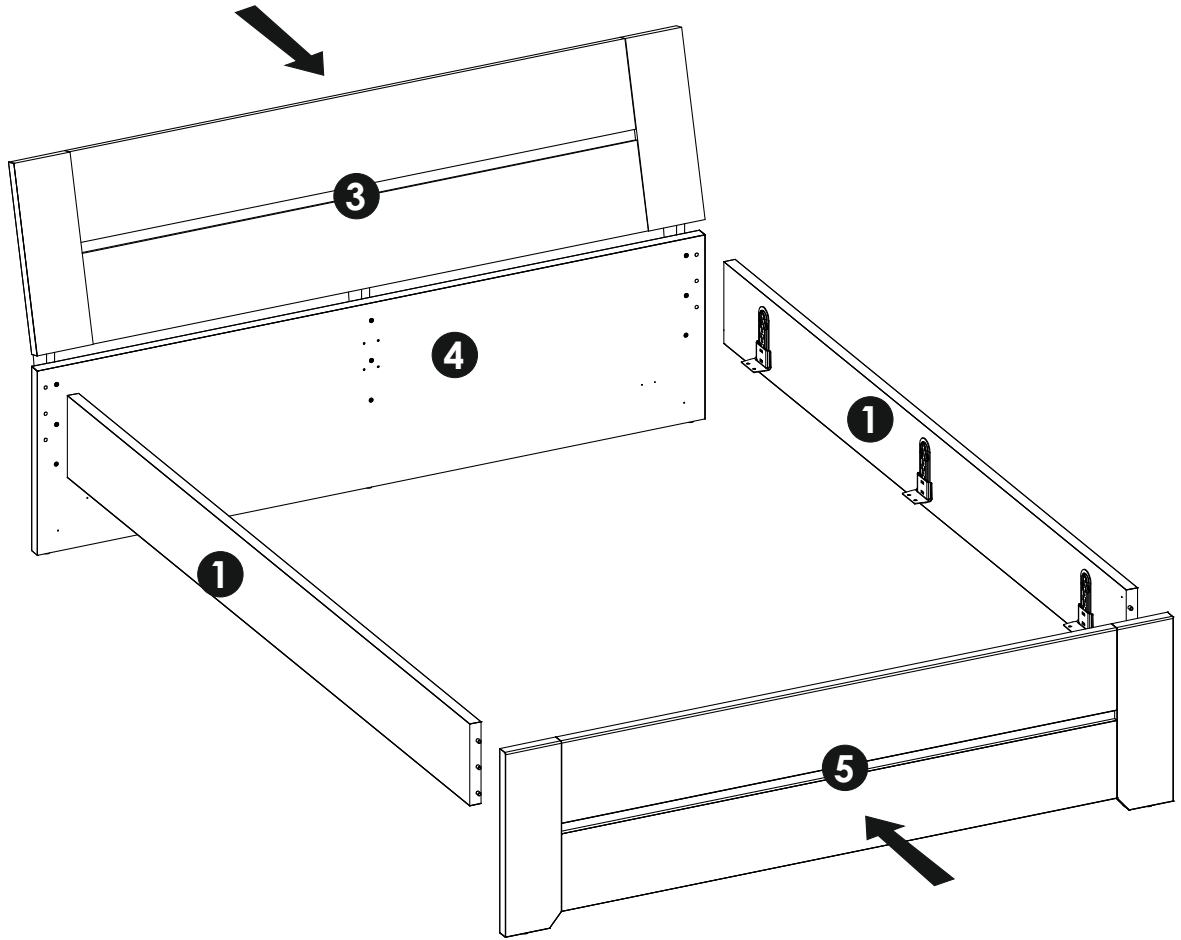
3 ▶



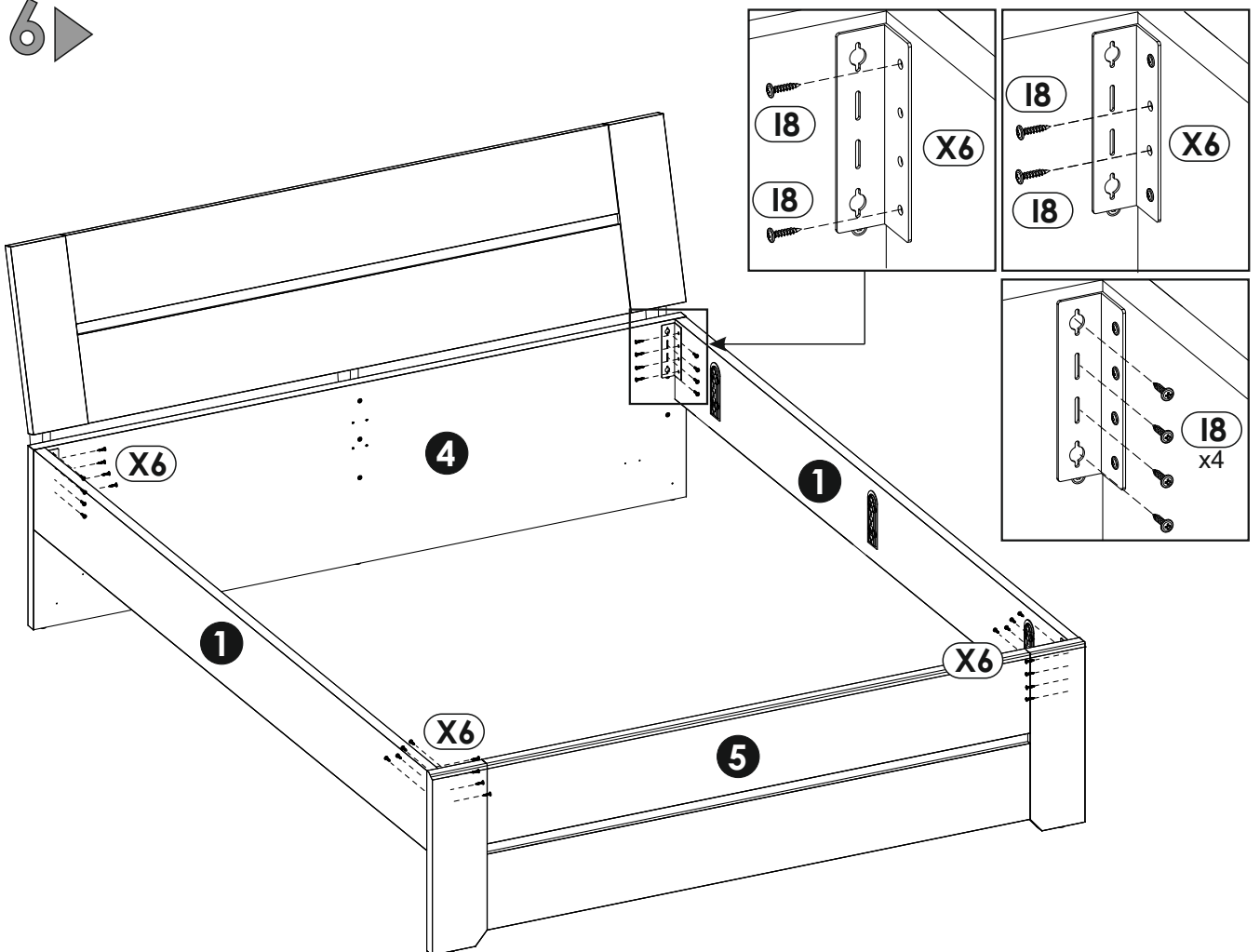
4 ▶

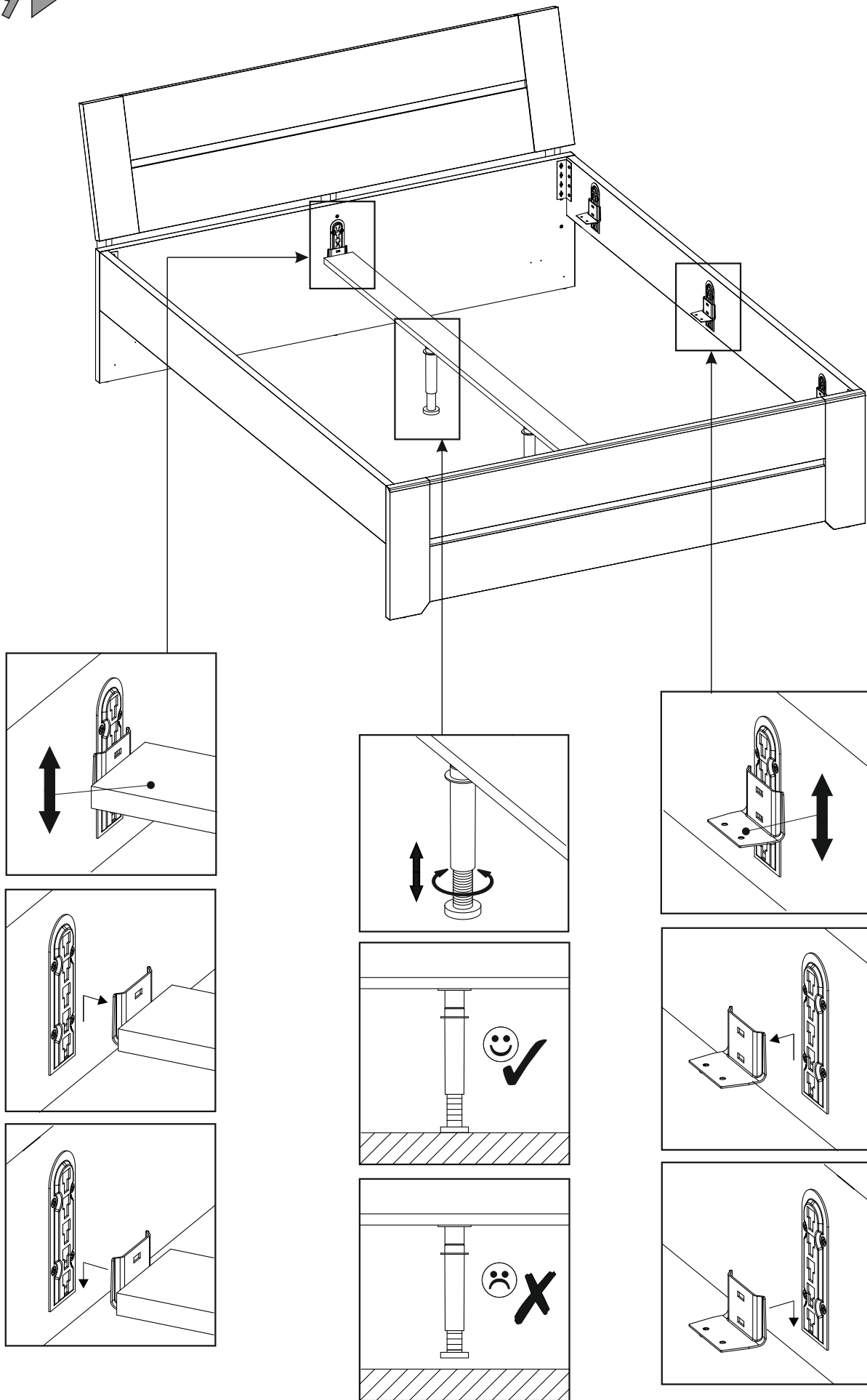


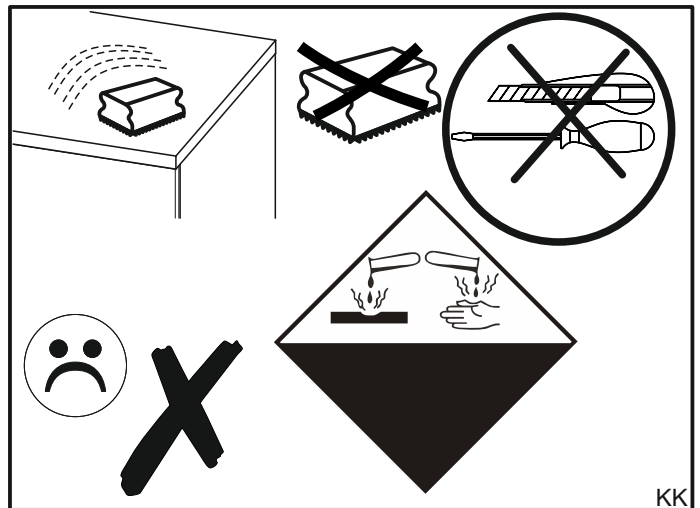
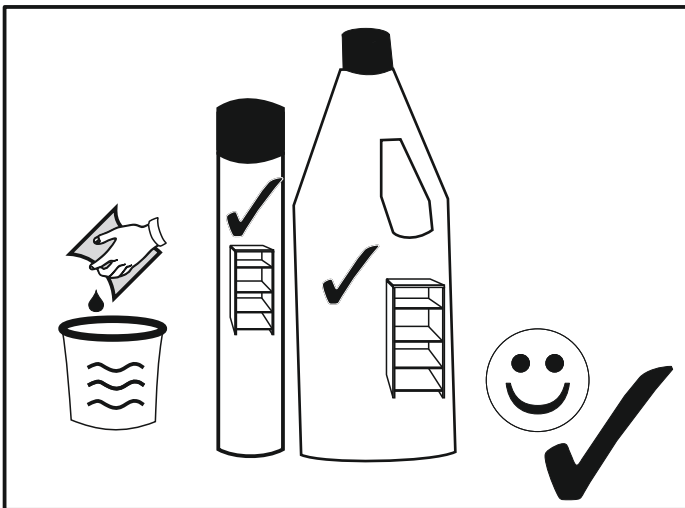
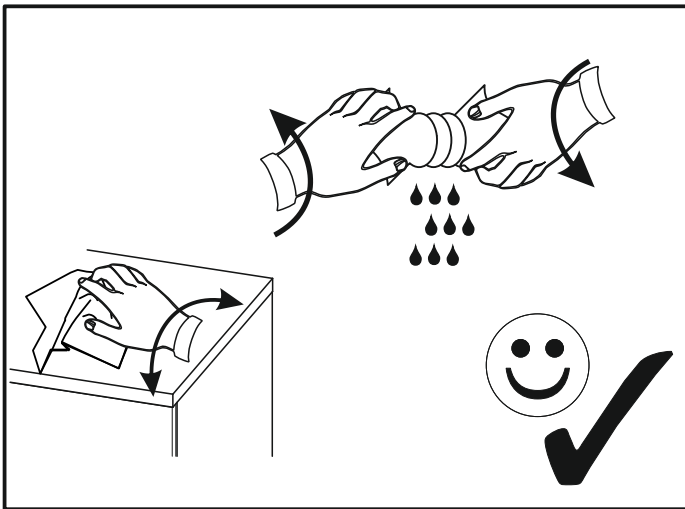
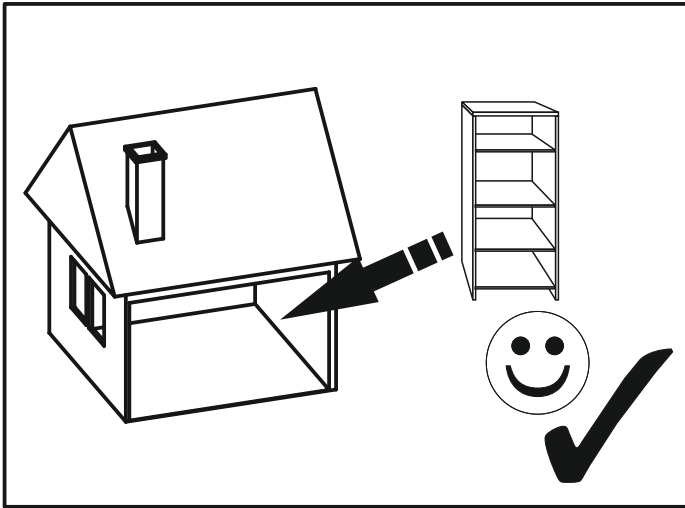
5 ▶



6 ▶







KK