

SICILIA D80Z

012014

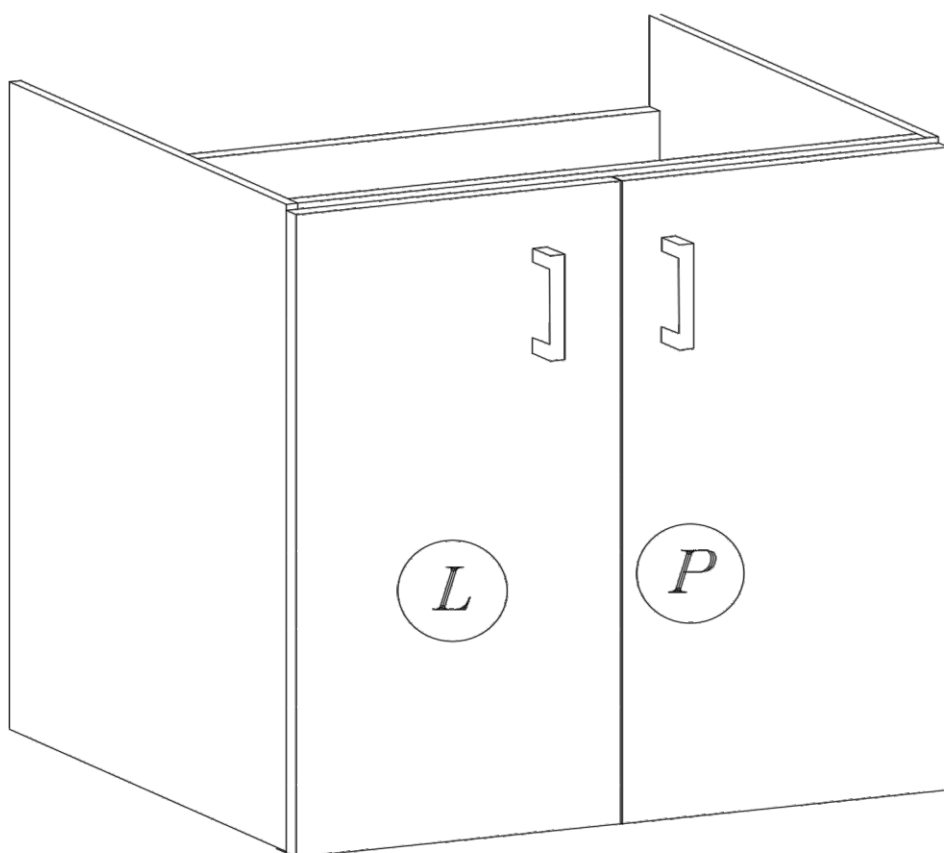
012014

016009

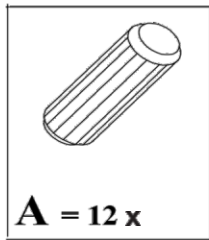
019008

011017

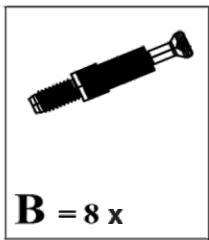
011016



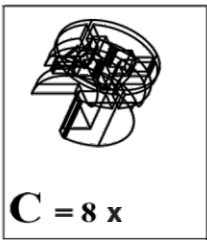
		D80Z	
SYSTEM	KOLOR	L	P
SAN MARINO	KREMOWY	400405	400404
COSTA	LAKIER BIEL	010405	010404
MALAGA	DĄB COUNTRY	390405	390404



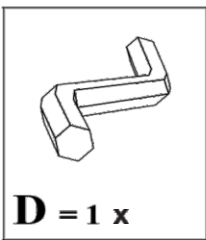
A = 12 x



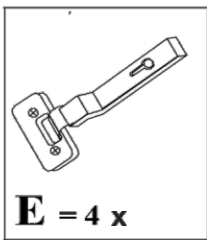
B = 8 x



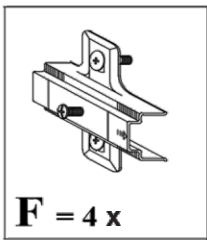
C = 8 x



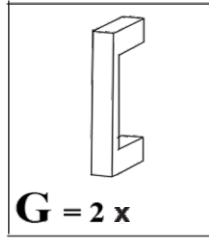
D = 1 x



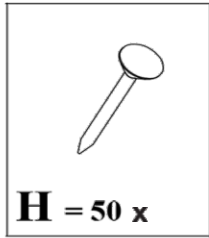
E = 4 x



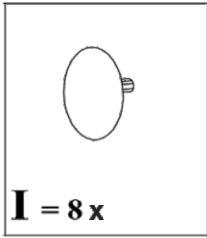
F = 4 x



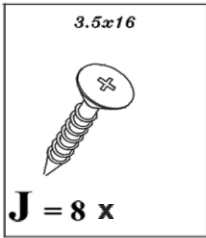
G = 2 x



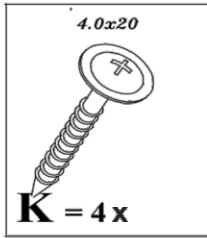
H = 50 x



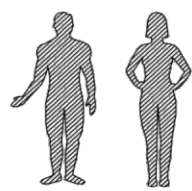
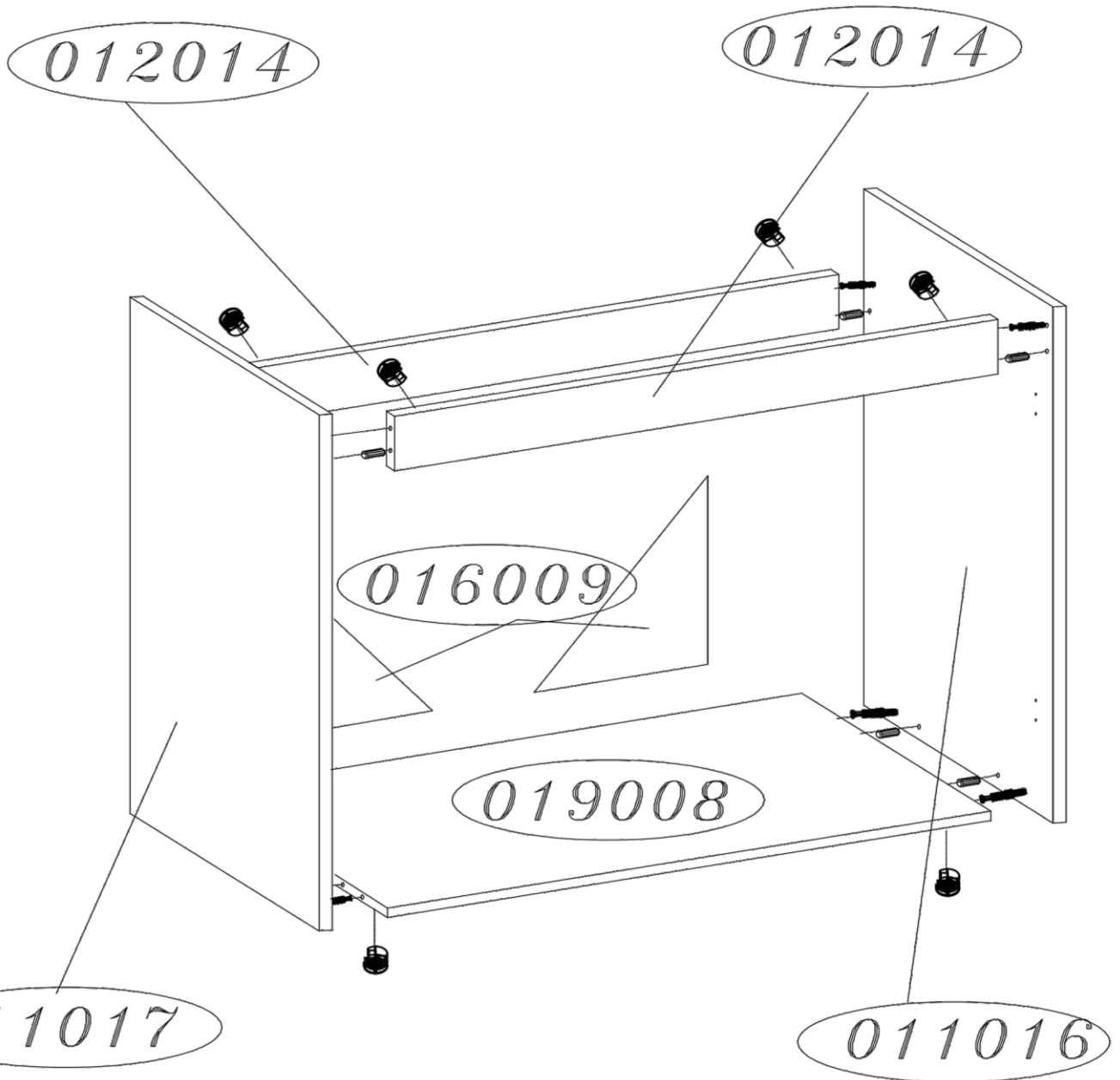
I = 8 x

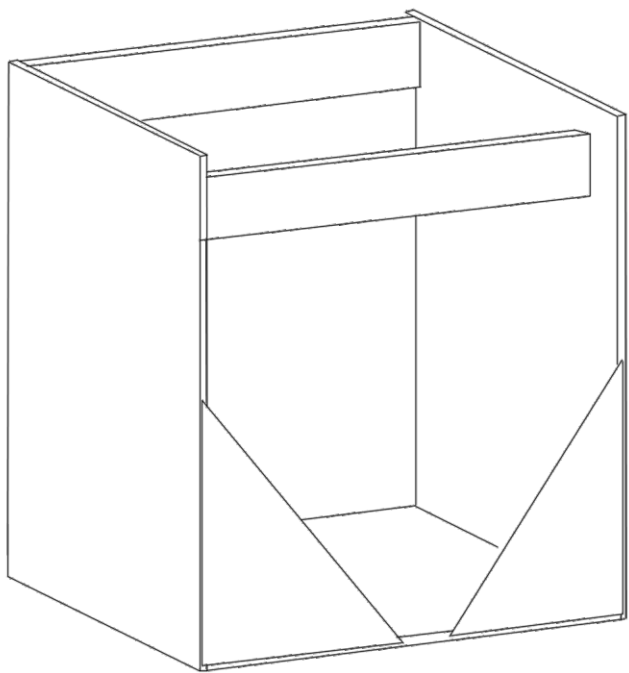


J = 8 x

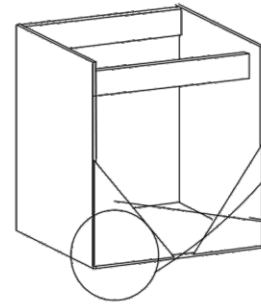
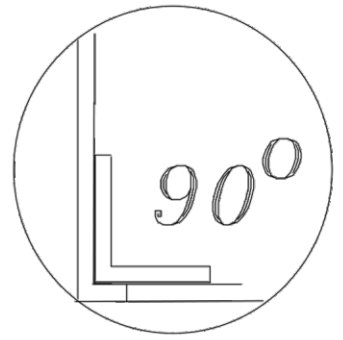


K = 4 x



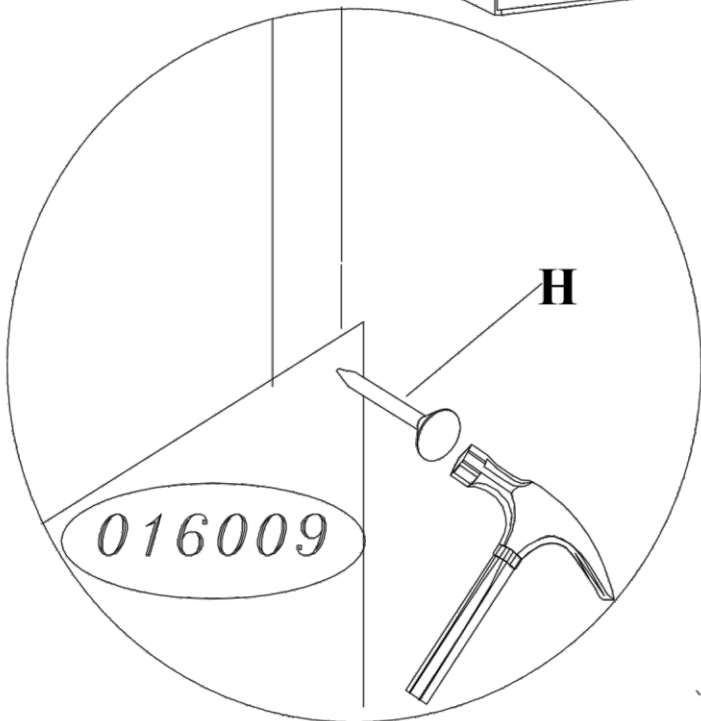
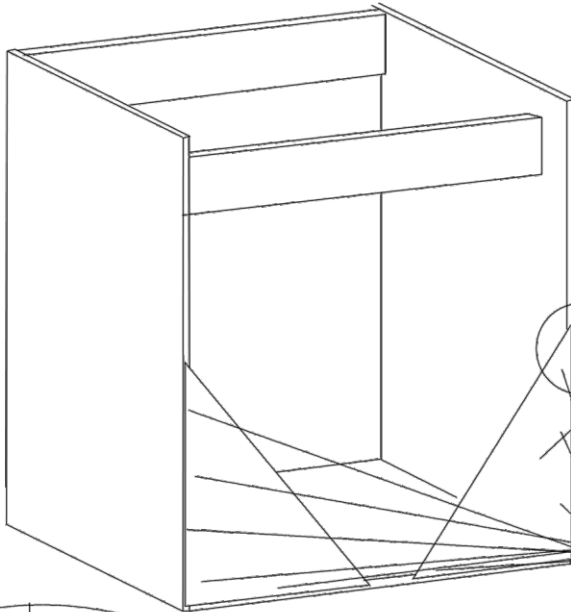


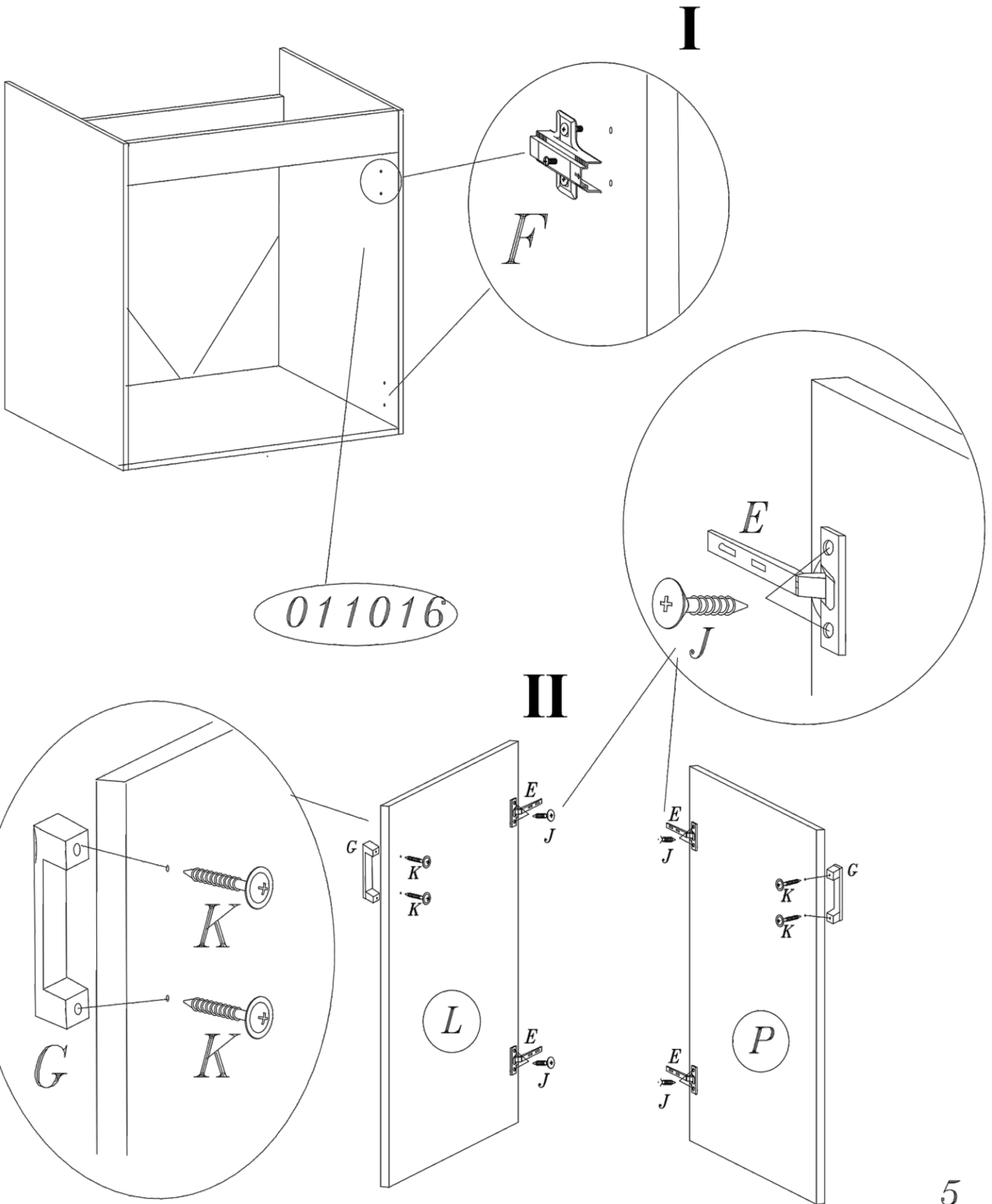
I

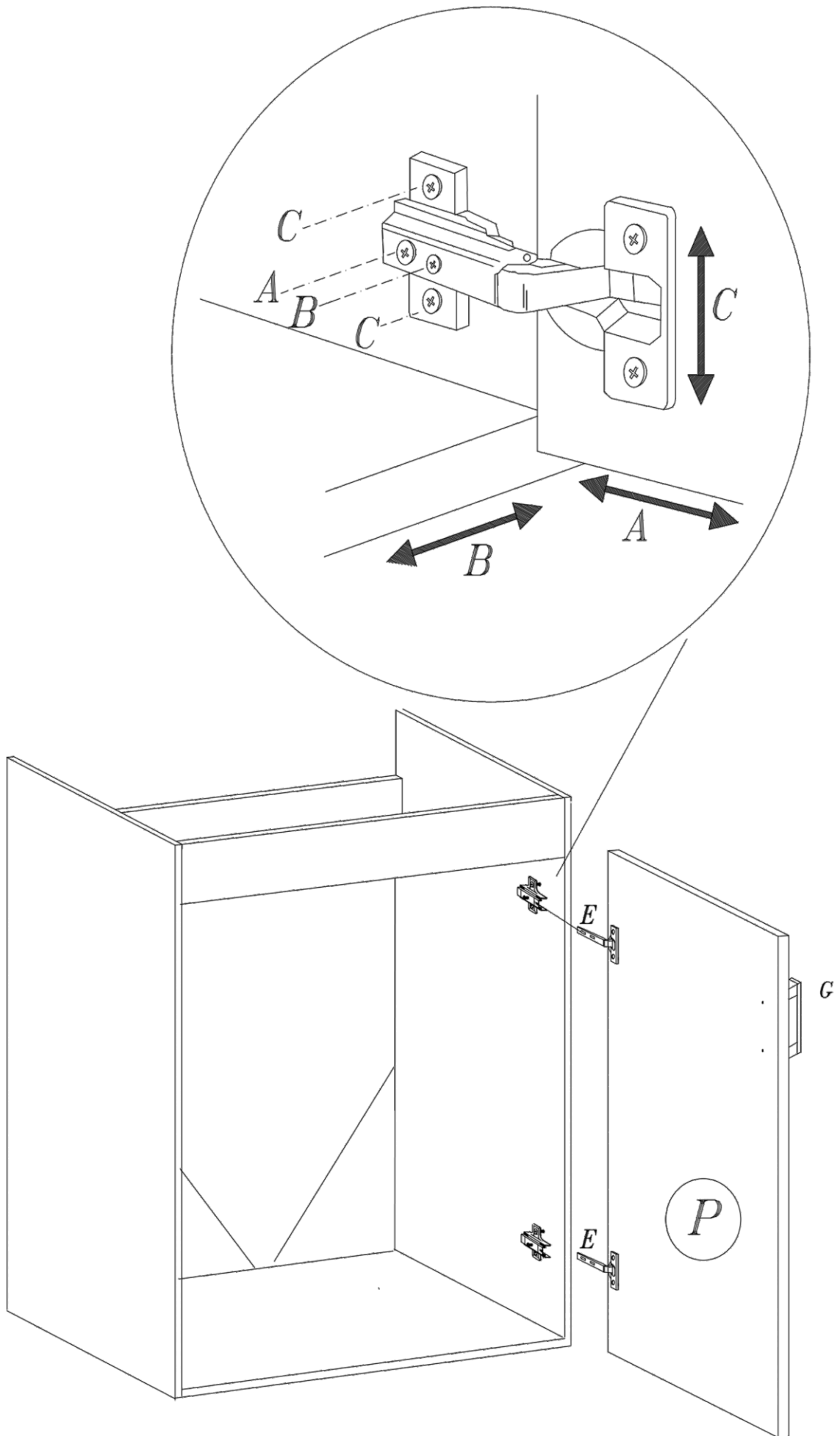


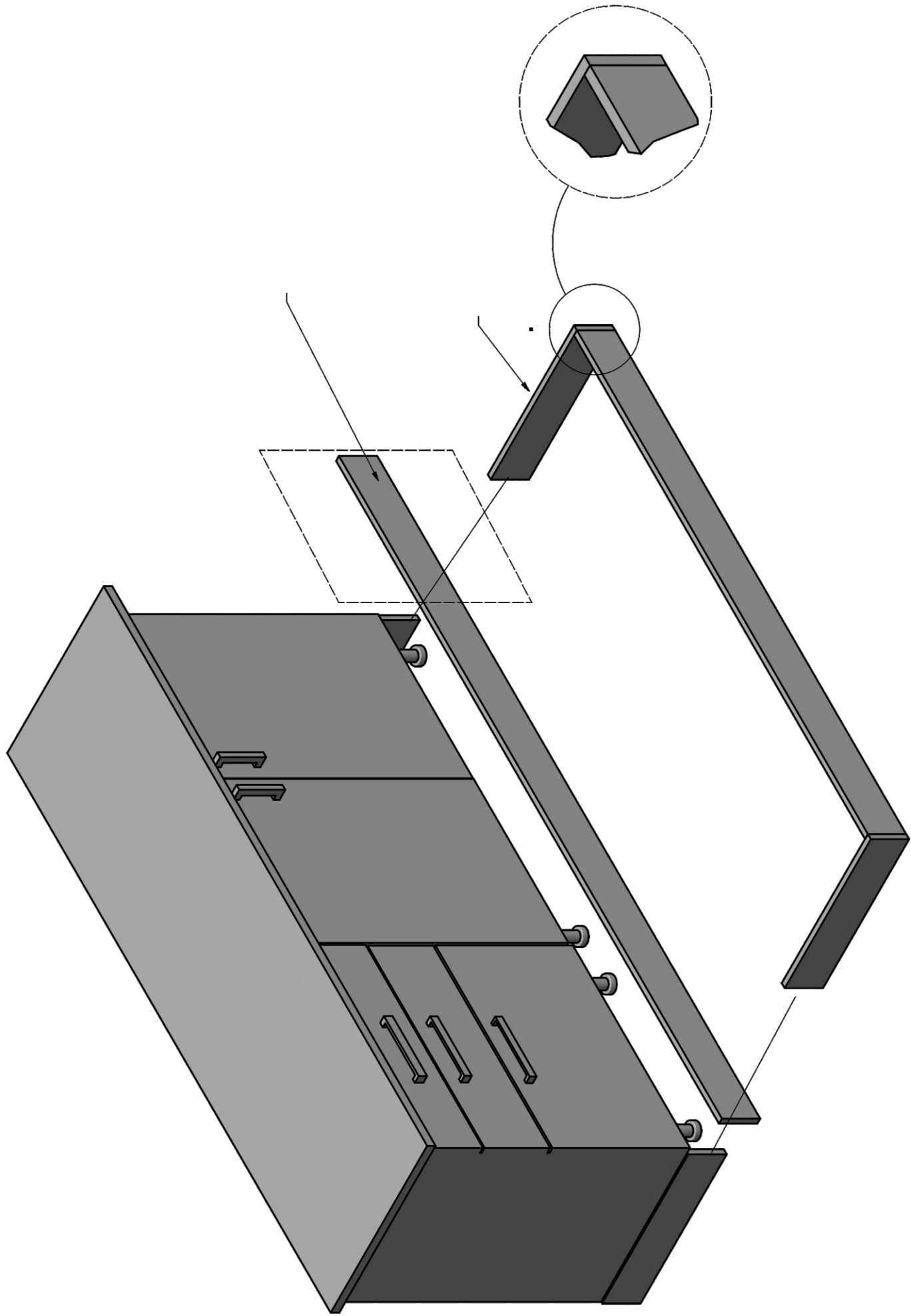
016009

II

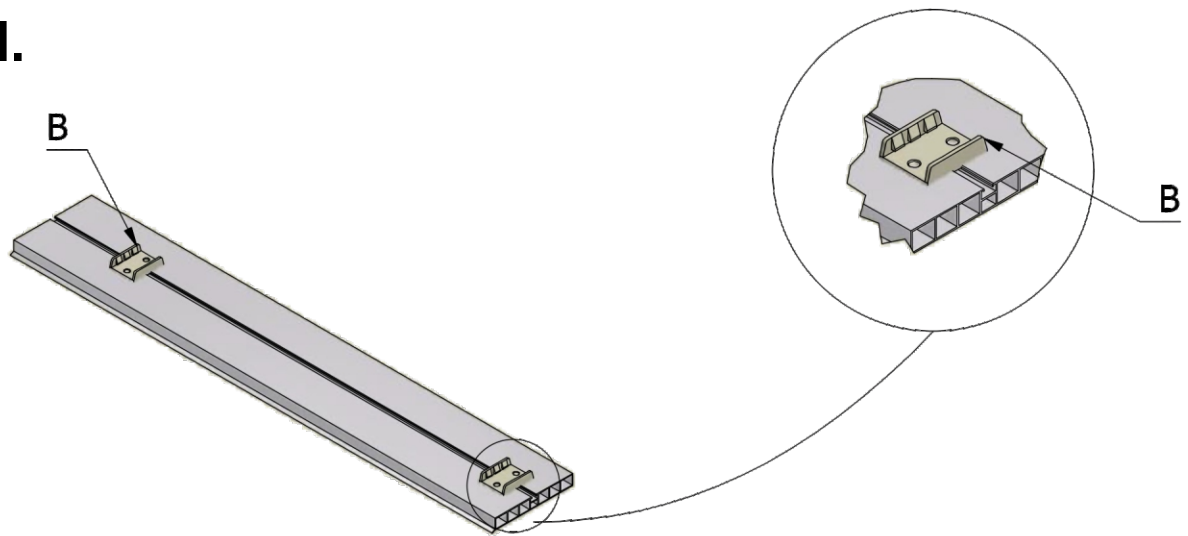




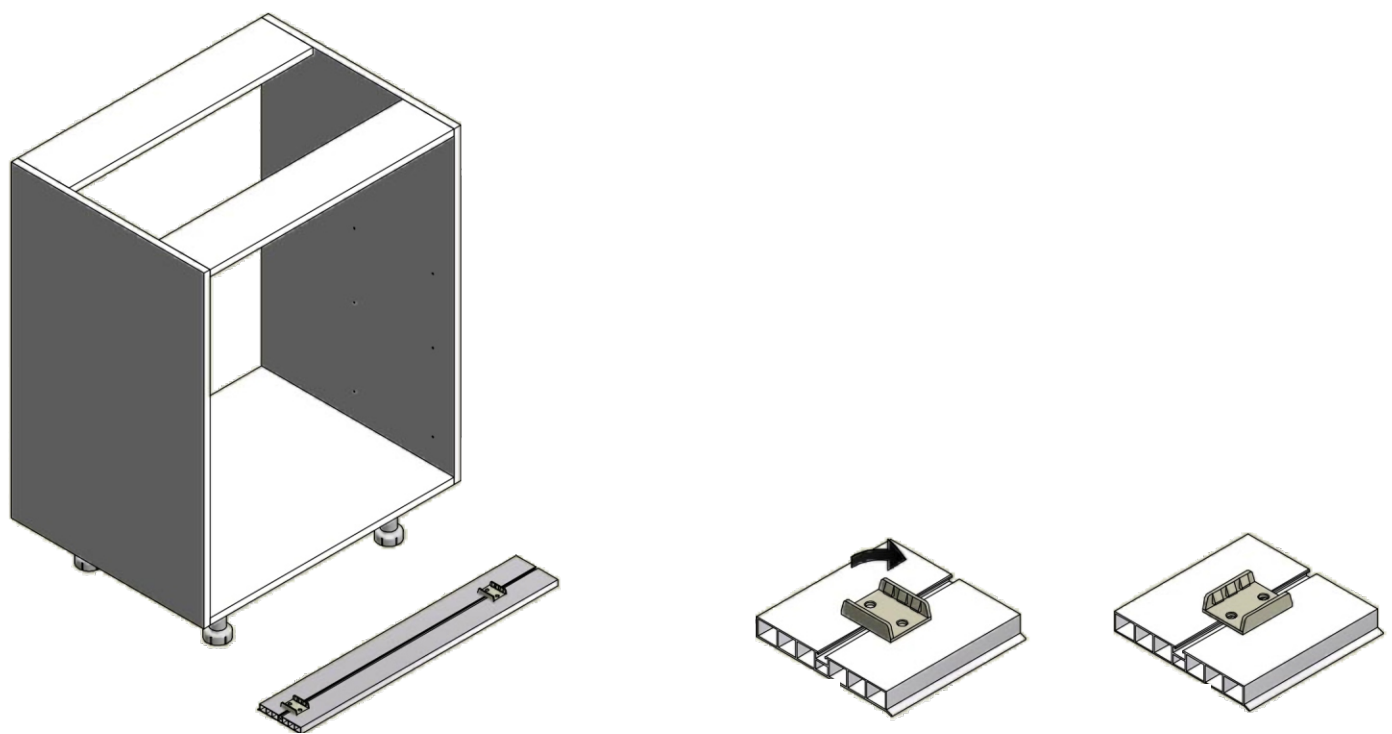




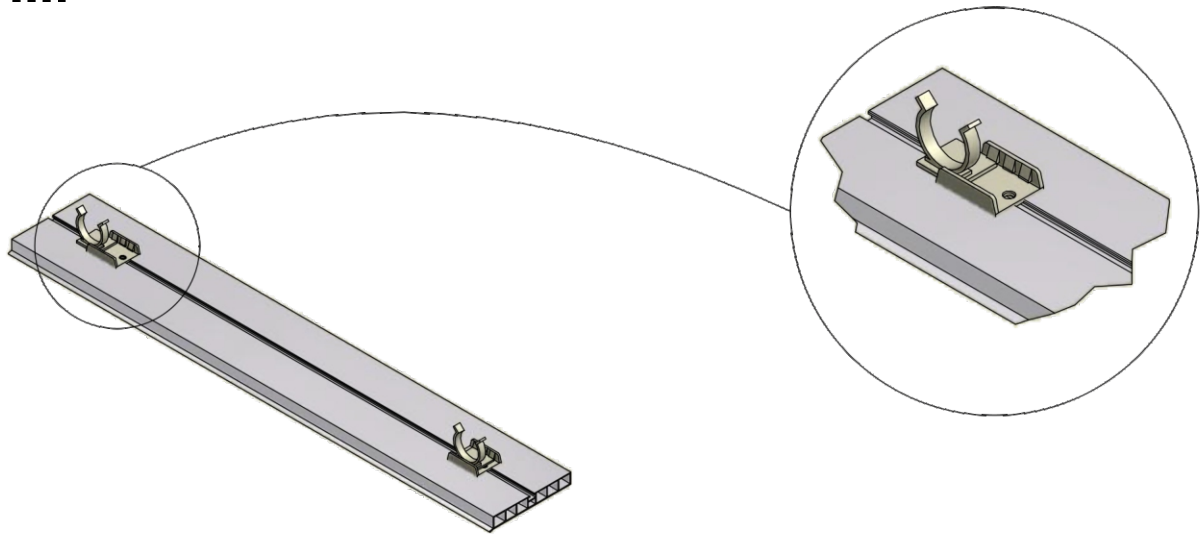
I.



II.



III.



IV.

