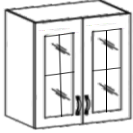
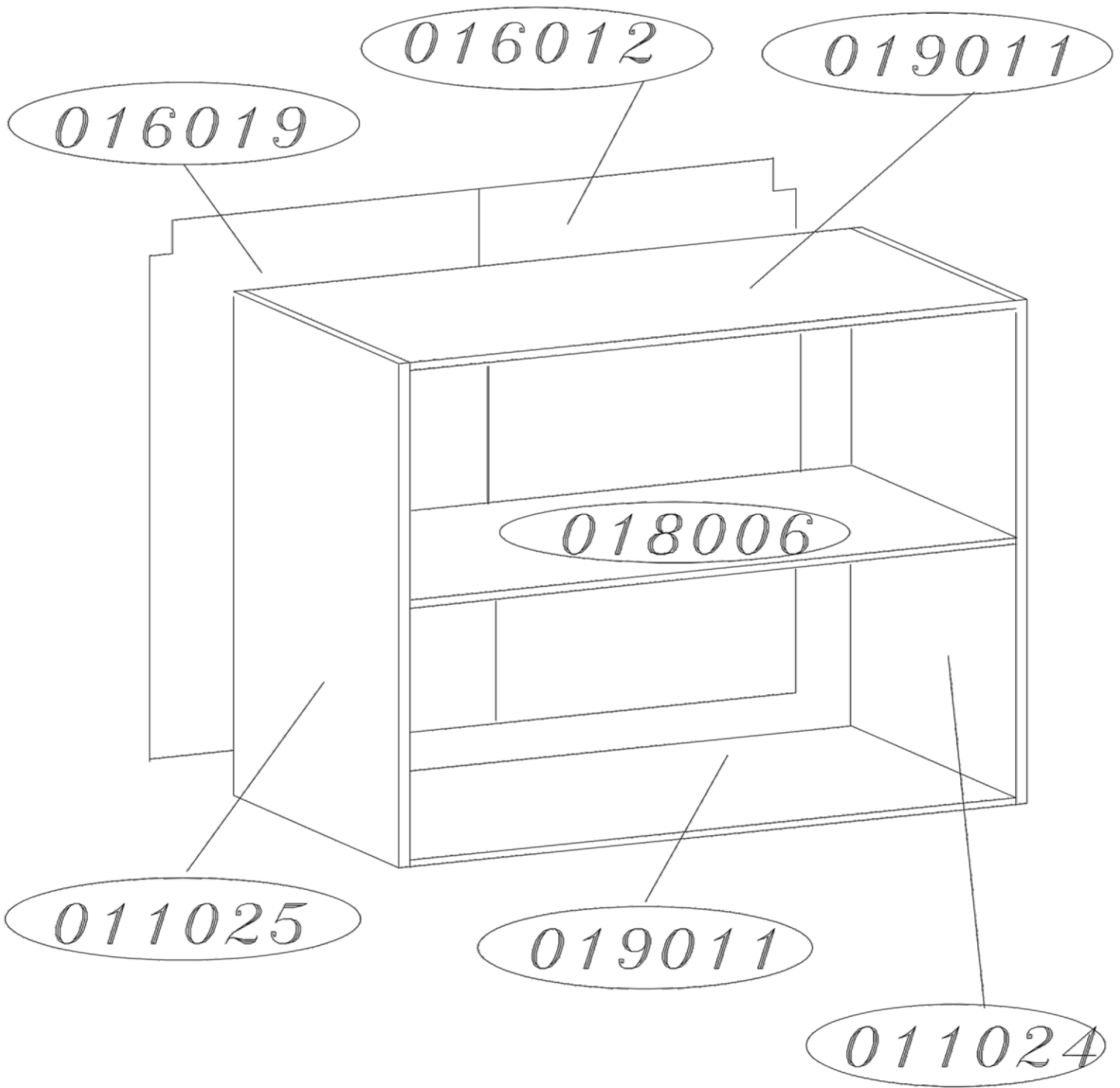


G60

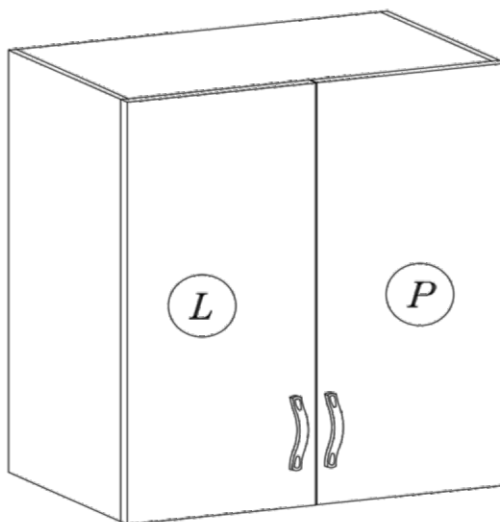


G60S

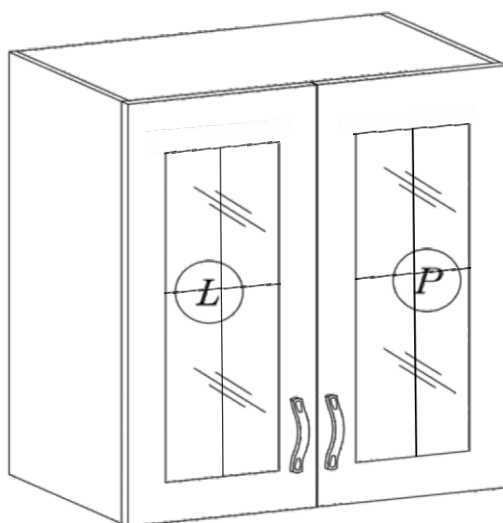
SICILIA G60 / G60S



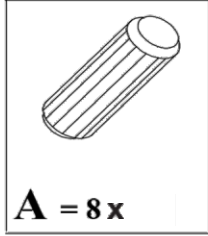
G60



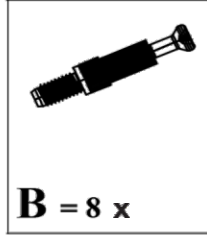
G60S



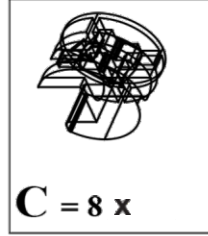
SYSTEM	KOLOR	G60		G60S	
		L	P	L	P
SAN MARINO	KREMOWY	400400	400401	400402	400403
COSTA	LAKIER BIEL	010400	010401	n.d.	n.d.
MALAGA	LAKIER PIASKOWY	380400	380401	n.d.	n.d.



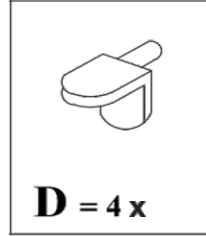
A = 8 x



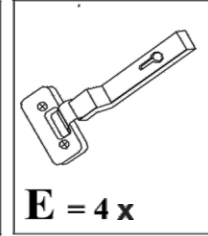
B = 8 x



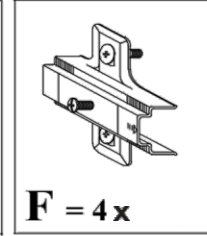
C = 8 x



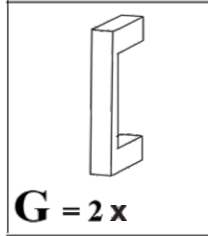
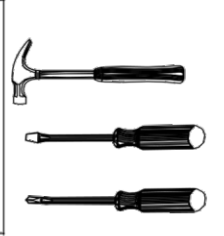
D = 4 x



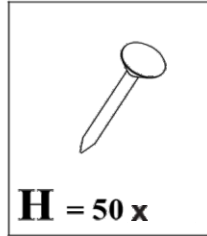
E = 4 x



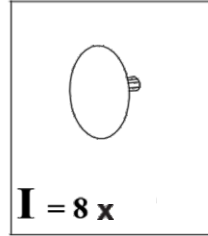
F = 4 x



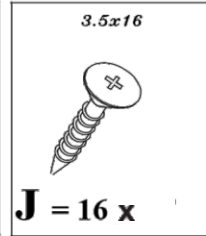
G = 2 x



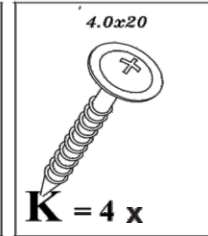
H = 50 x



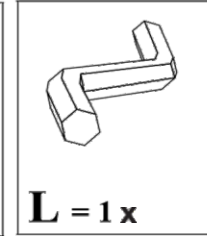
I = 8 x



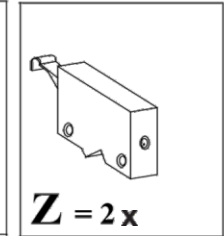
J = 16 x



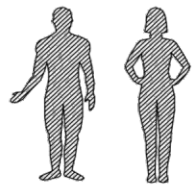
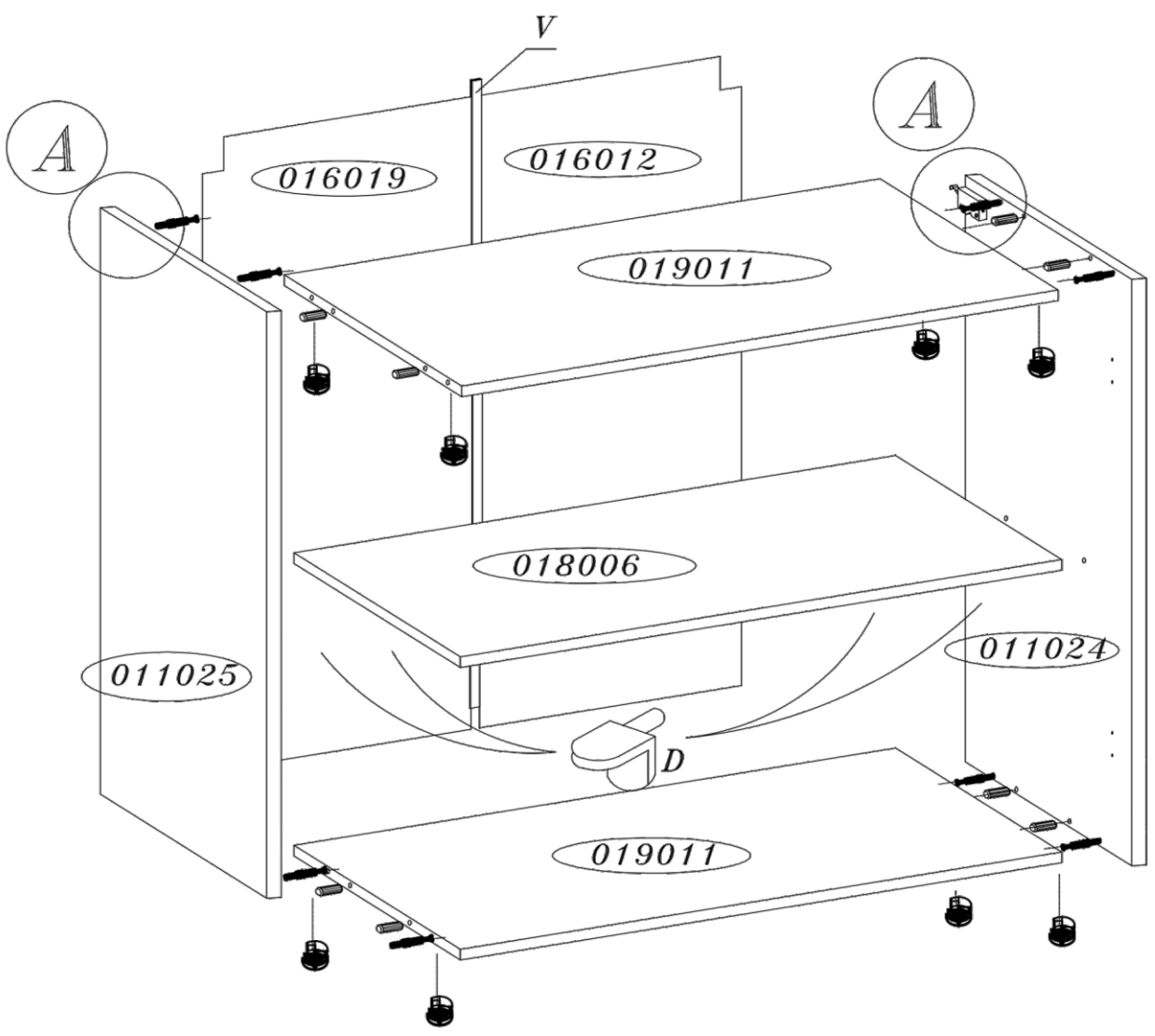
K = 4 x

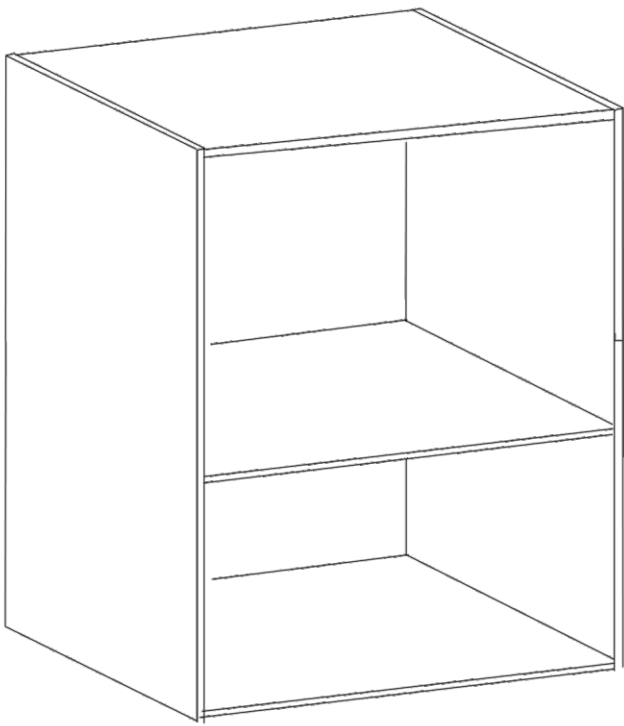


L = 1 x

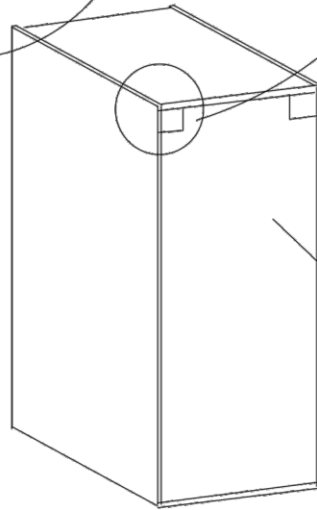
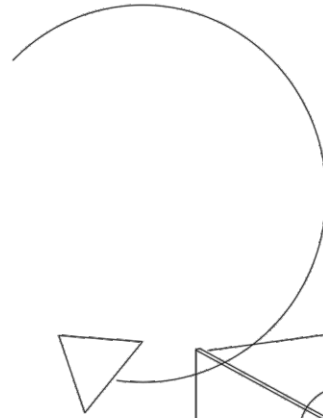
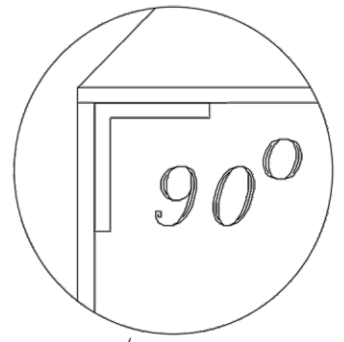


Z = 2 x



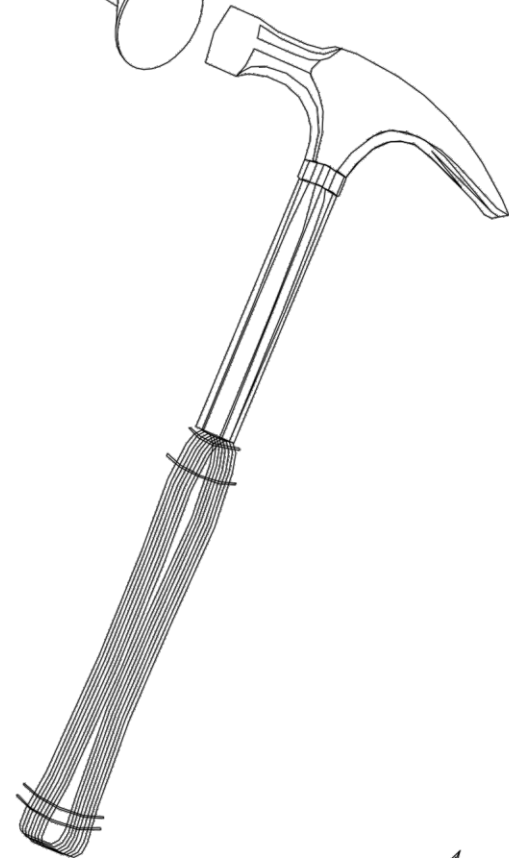
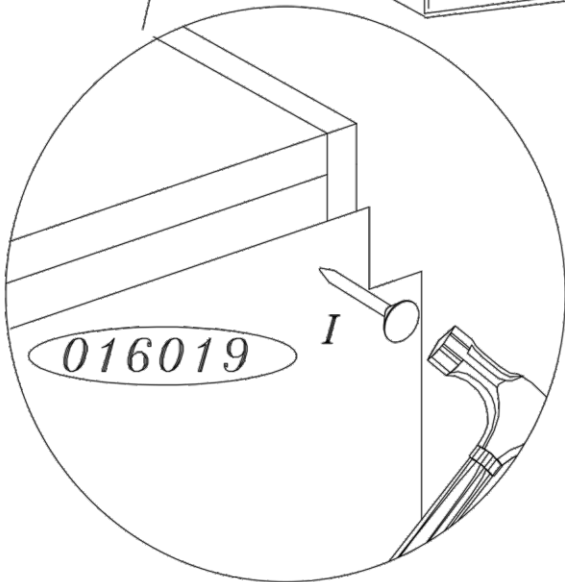
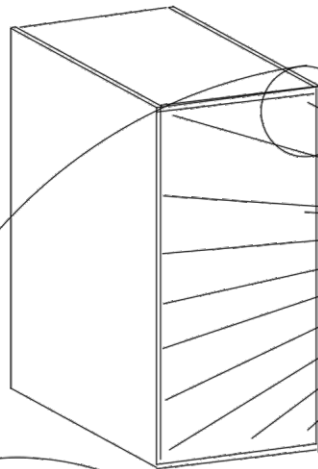


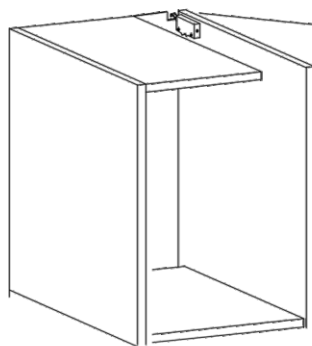
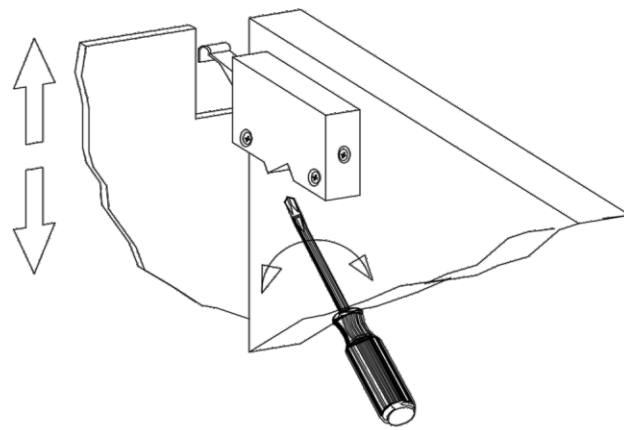
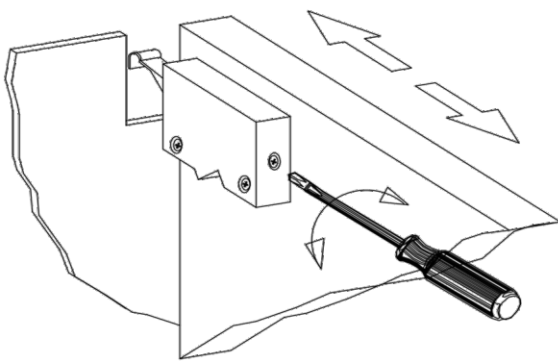
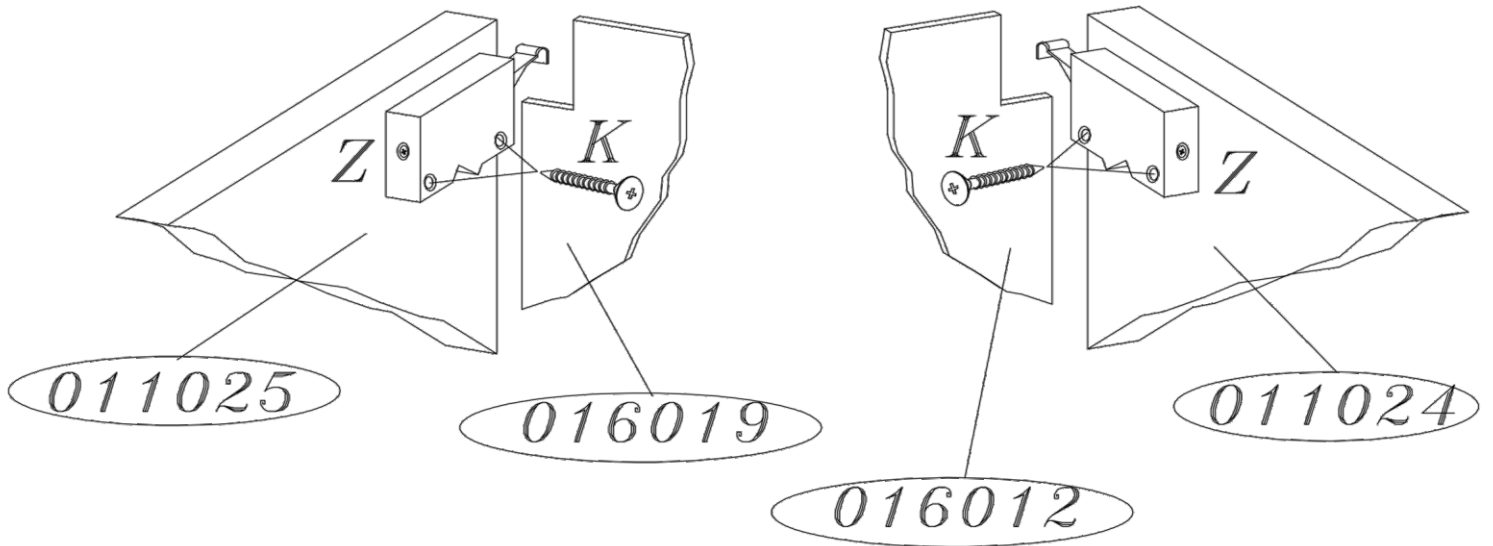
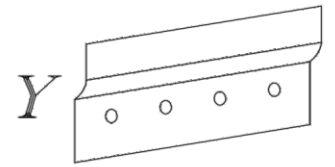
I



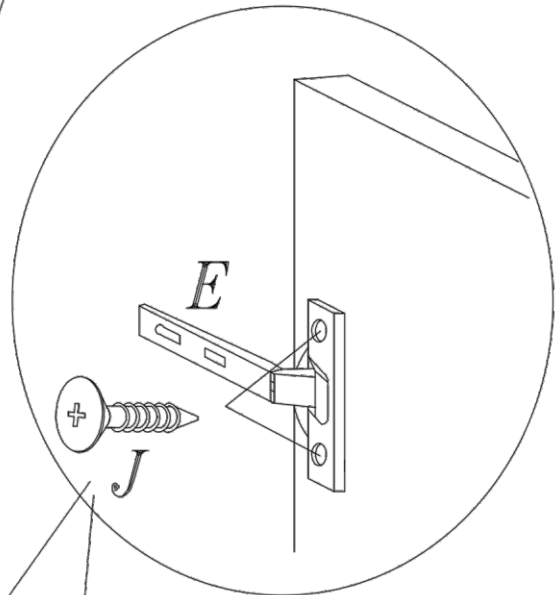
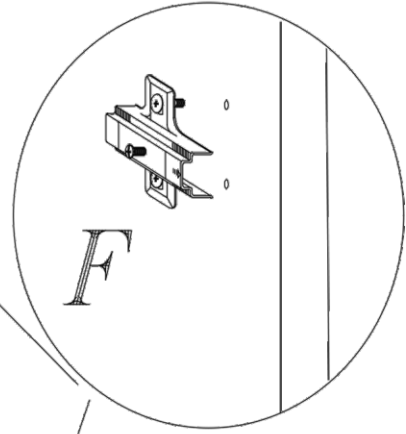
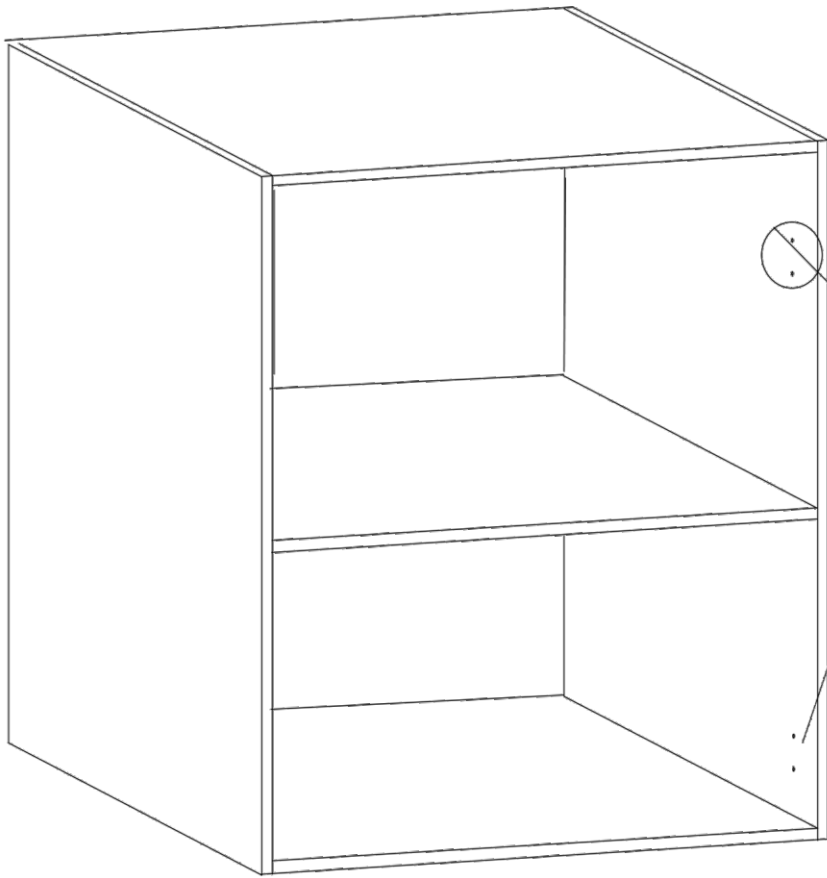
016019

II

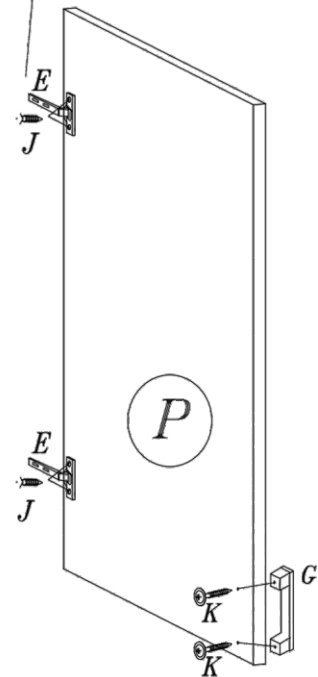
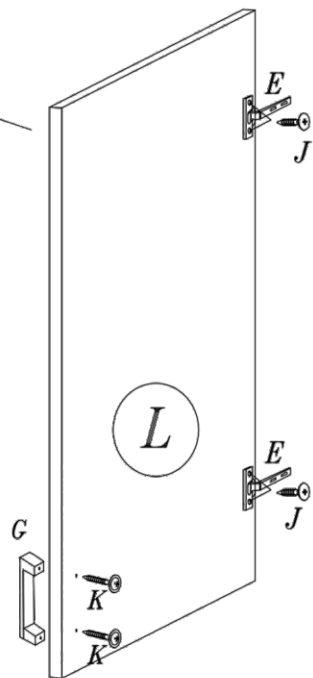
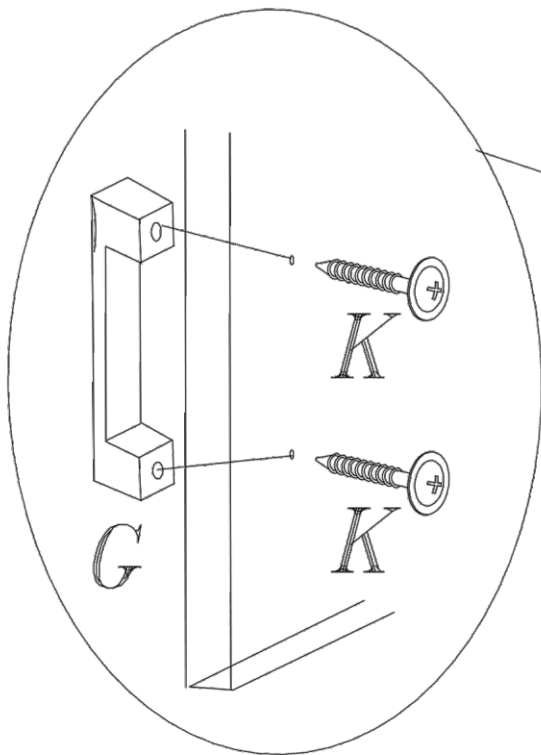


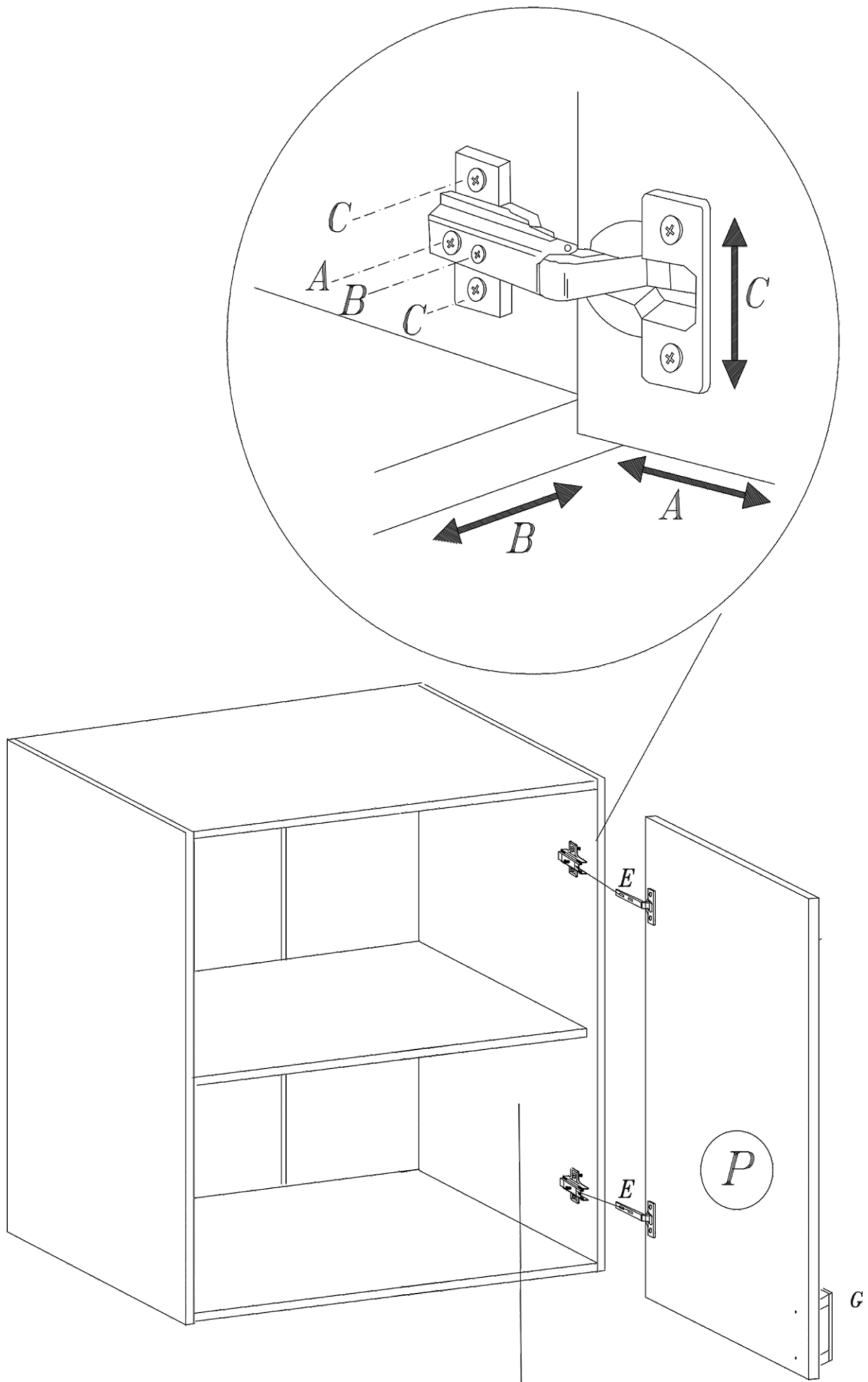


I



II





011024