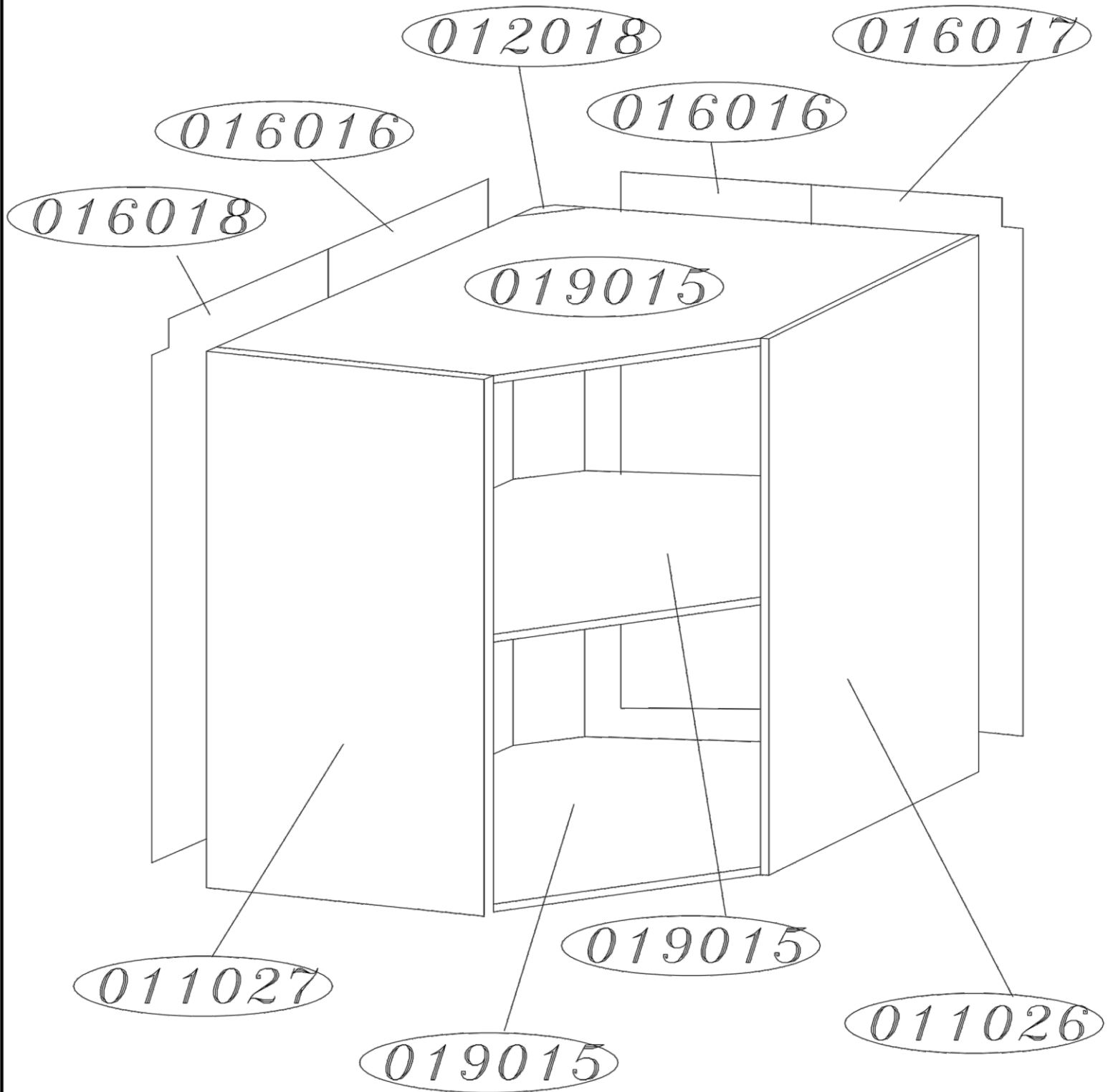
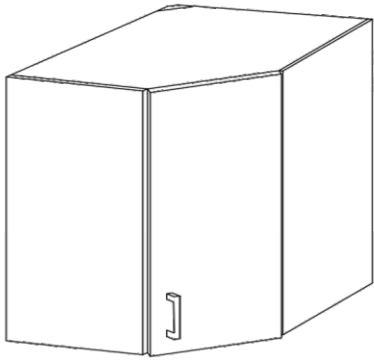
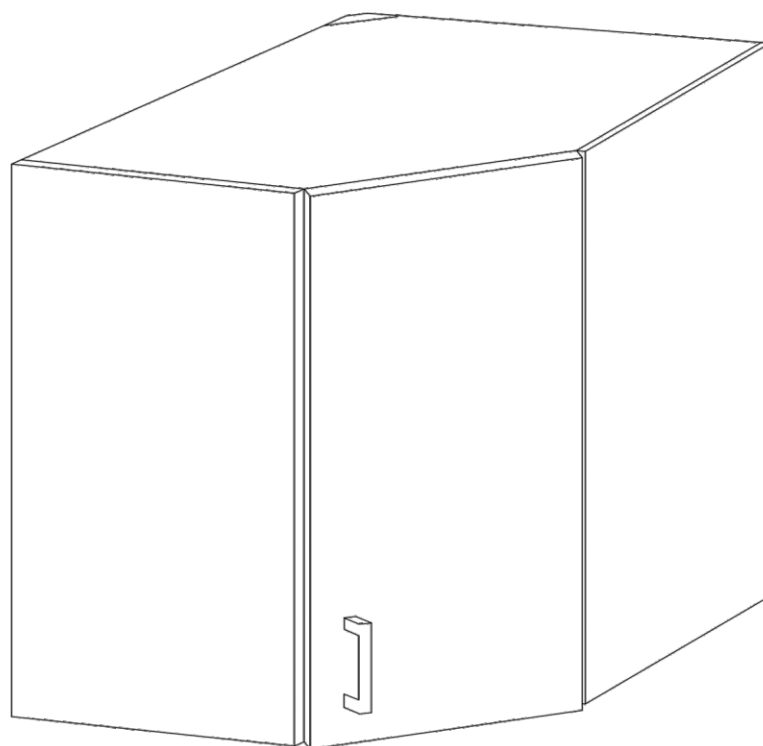
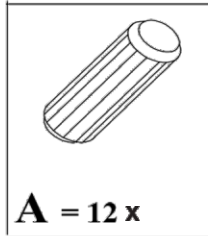


SICILIA G60N

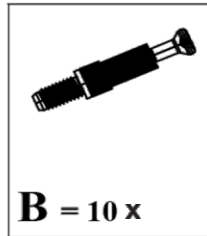




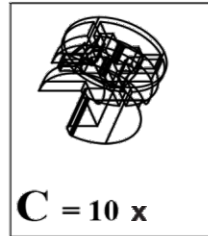
SYSTEM	KOLOR	G60N
SAN MARINO	KREMOWY	400436
COSTA	LAKIER BIEL	010436
MALAGA	LAKIER PIASKOWY	380436



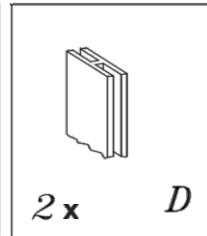
A = 12 x



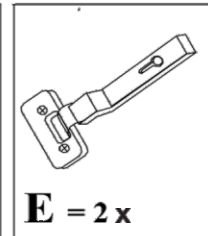
B = 10 x



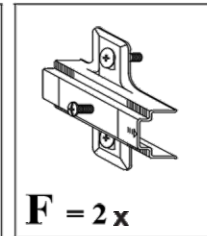
C = 10 x



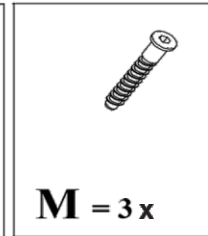
2 x D



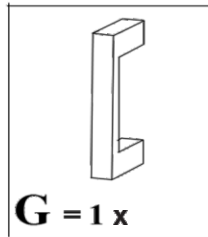
E = 2 x



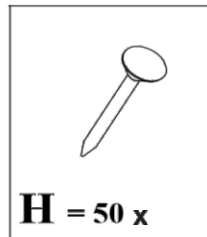
F = 2 x



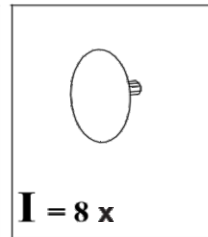
M = 3 x



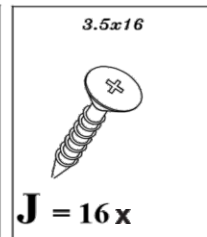
G = 1 x



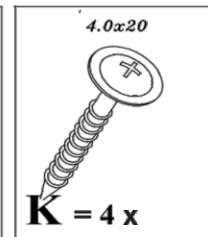
H = 50 x



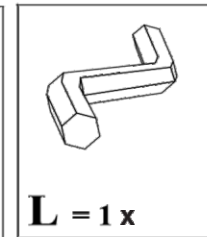
I = 8 x



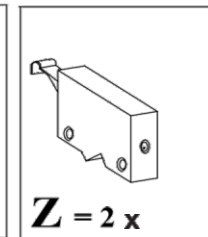
J = 16 x



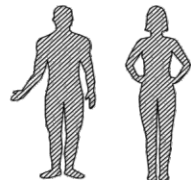
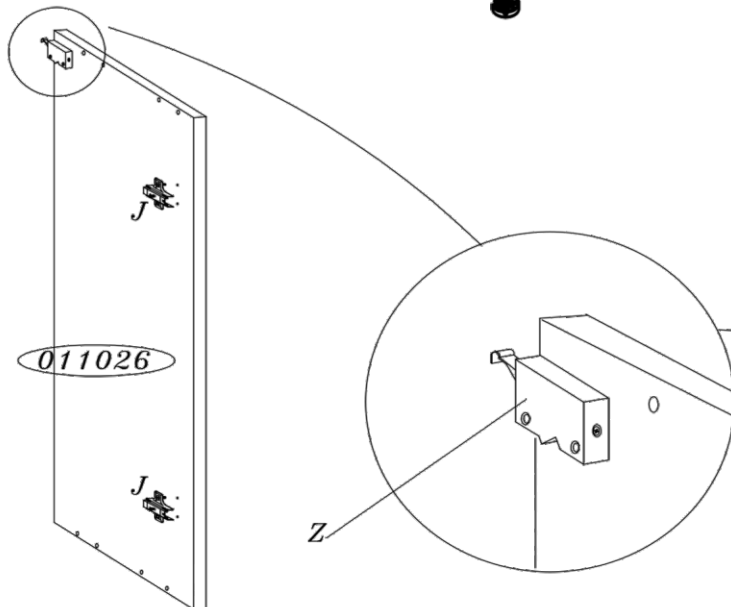
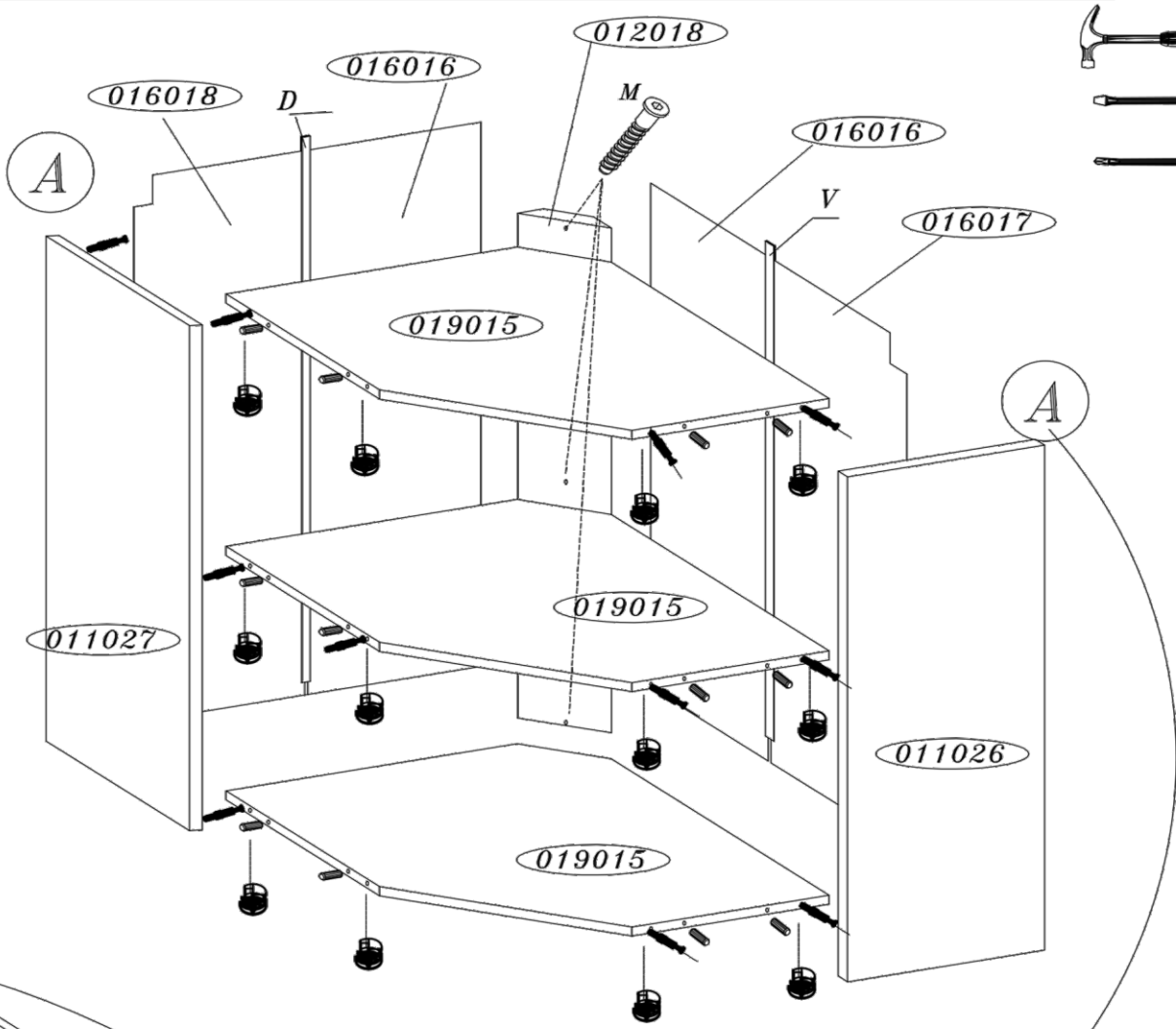
K = 4 x



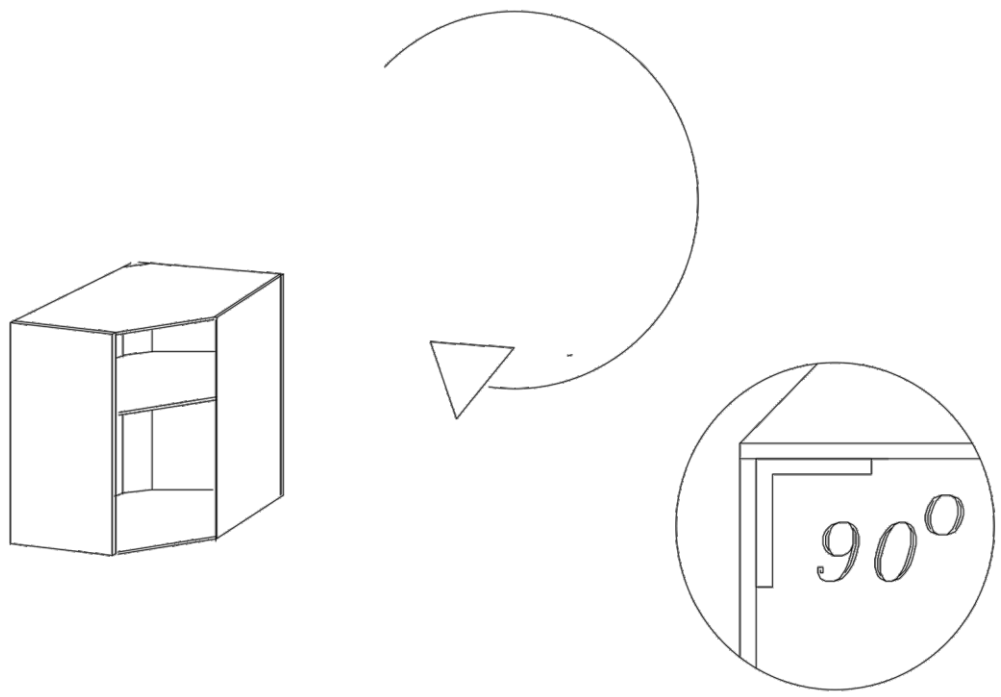
L = 1 x



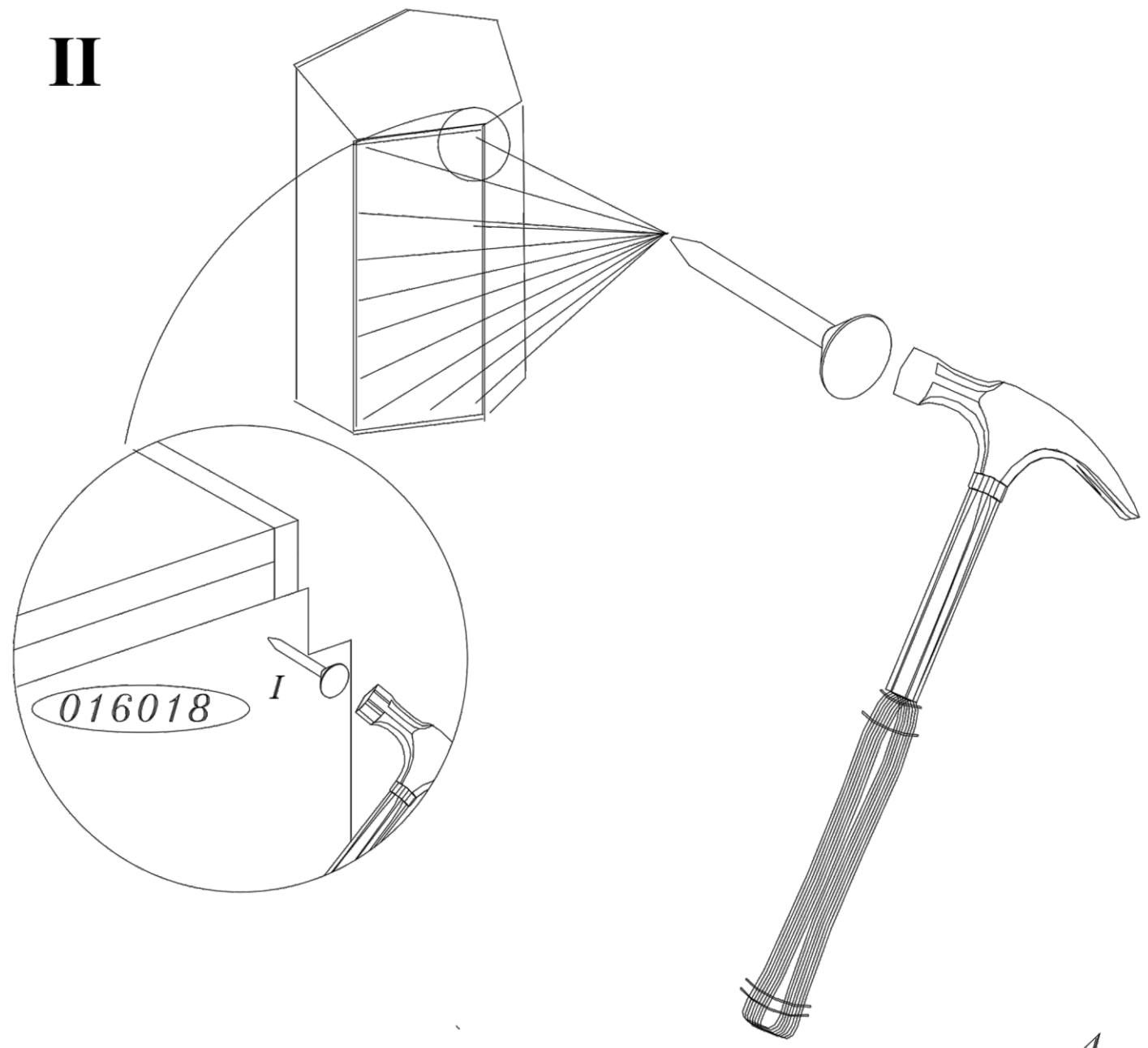
Z = 2 x

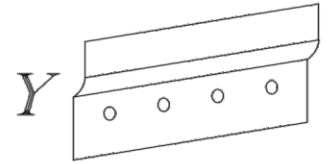


I

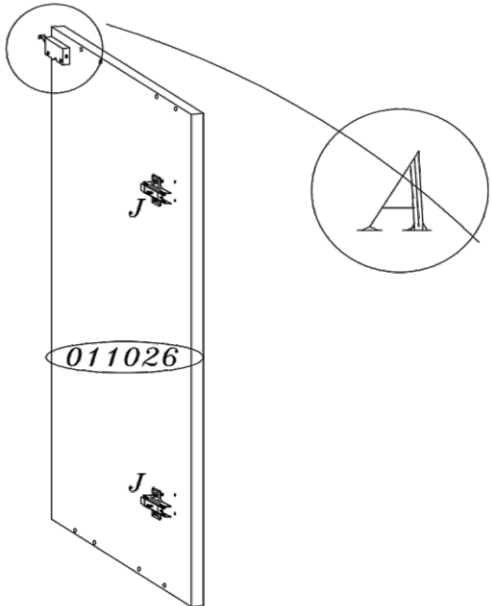
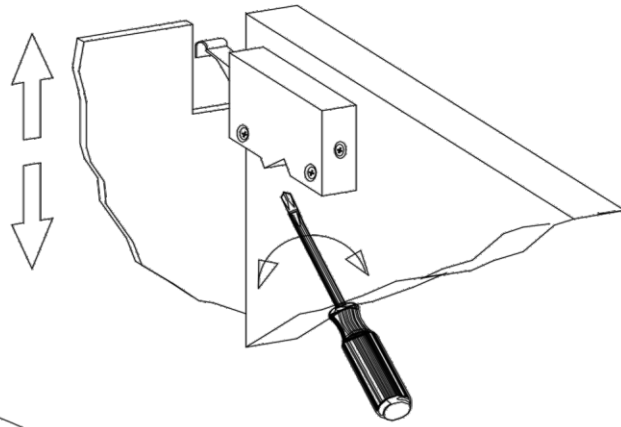
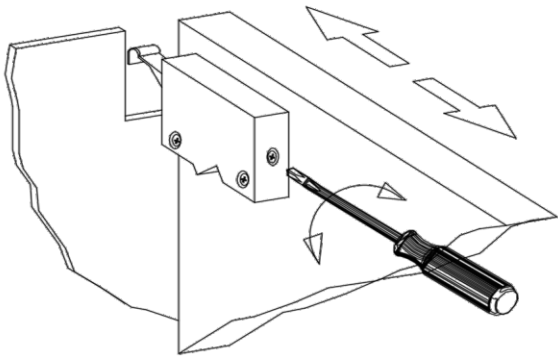
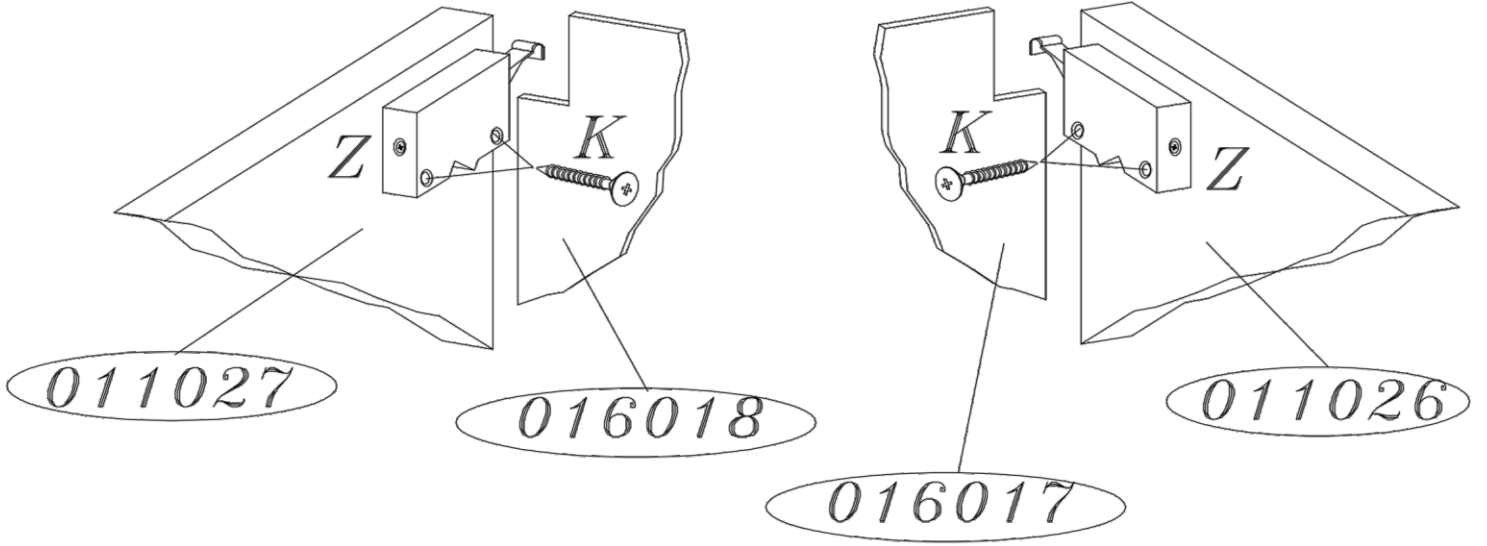


II

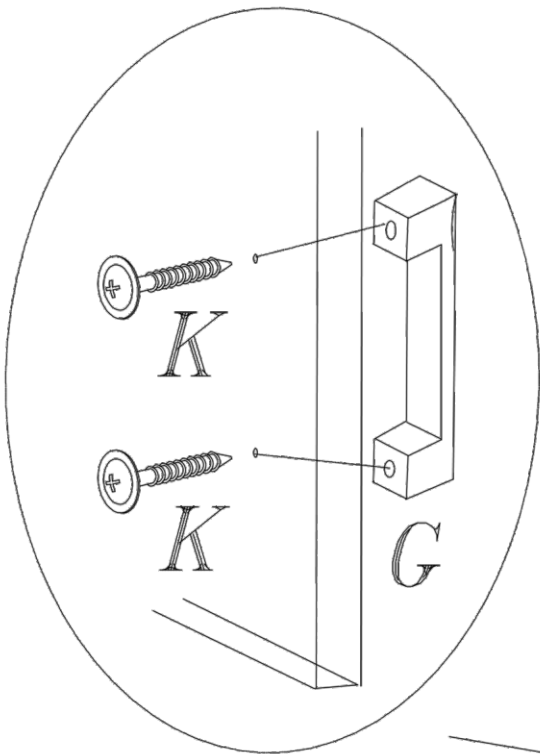
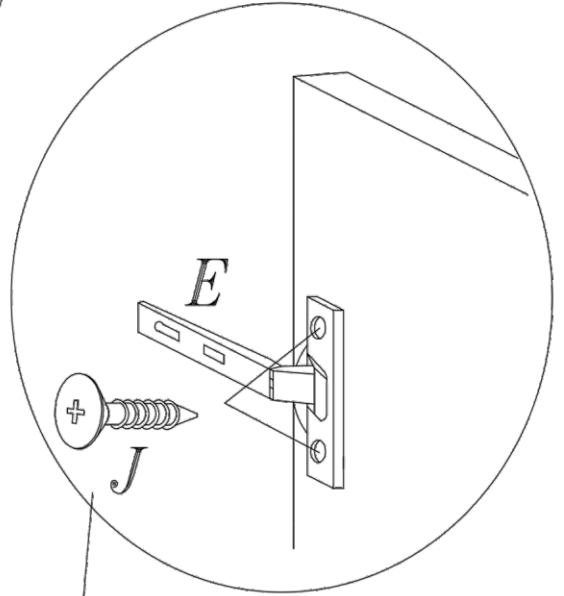
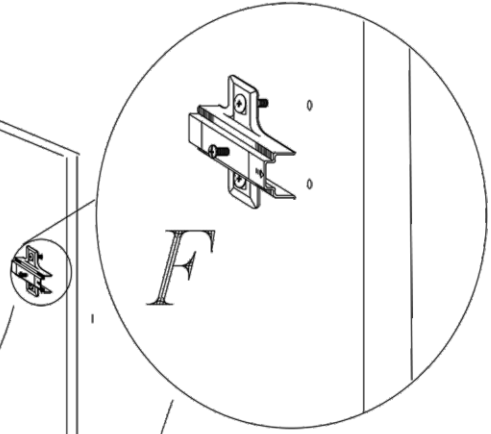
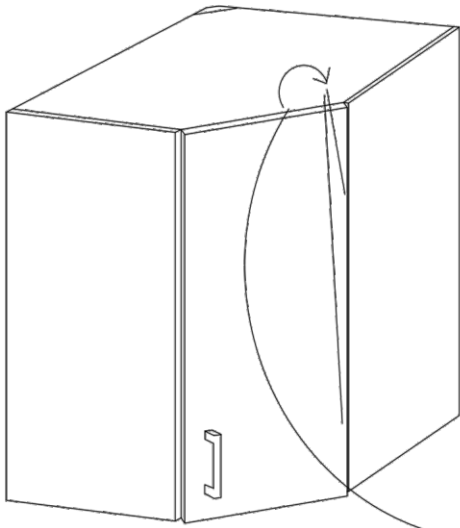




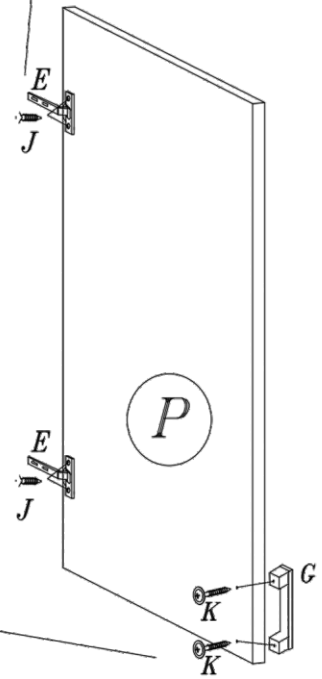
A

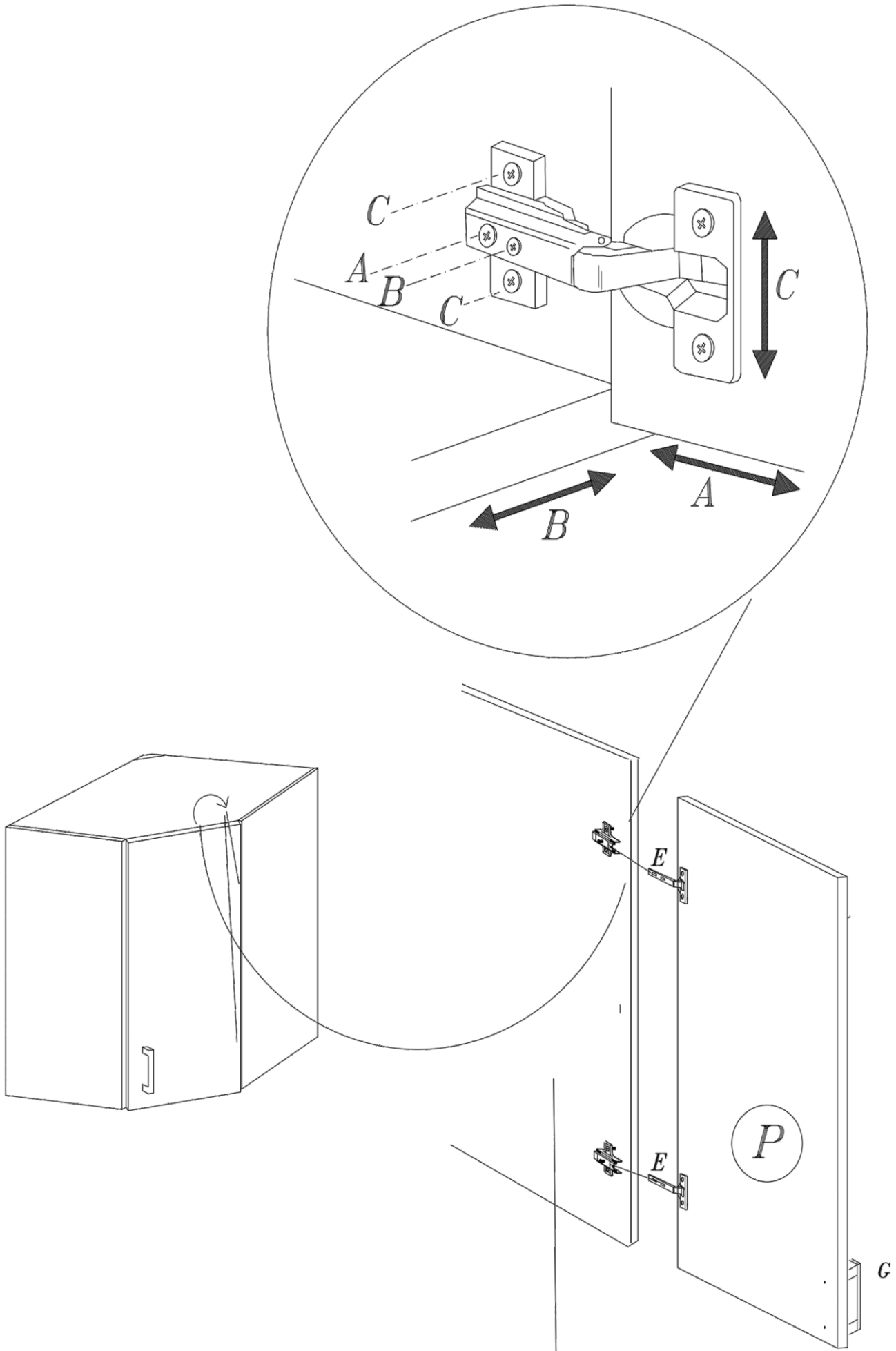


I



II





011026