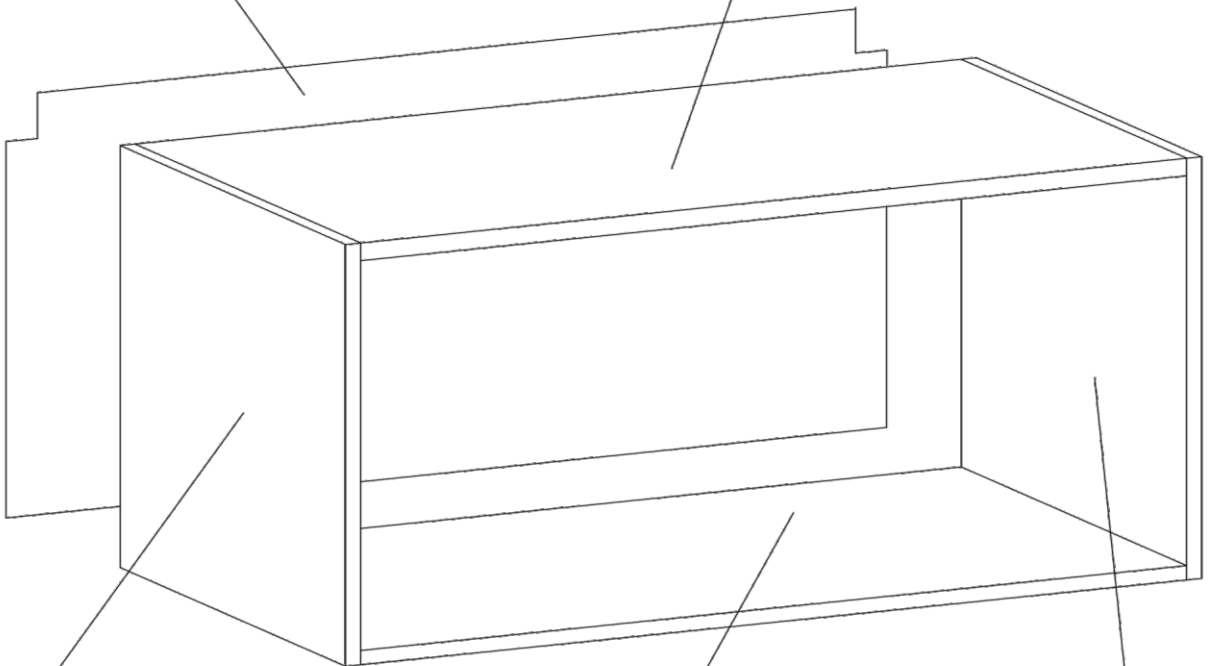


# SICILIA G50K

016013

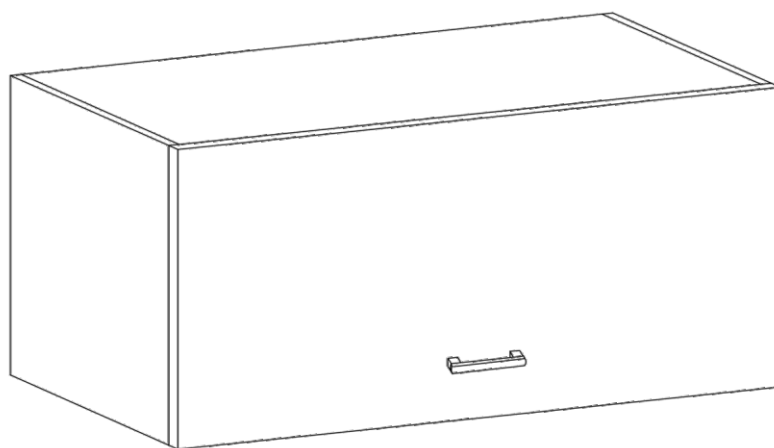
019020



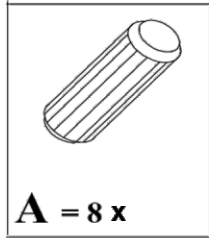
011023

019012

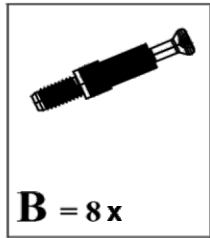
011022



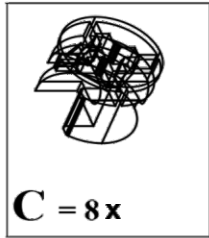
SYSTEM	KOLOR	G50K
SAN MARINO	KREMOWY	400434
COSTA	LAKIER BIEL	010434
MALAGA	LAKIER PIASKOWY	380434



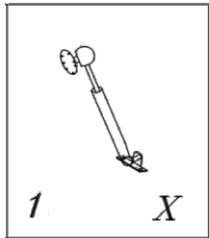
**A = 8 x**



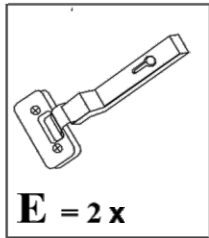
**B = 8 x**



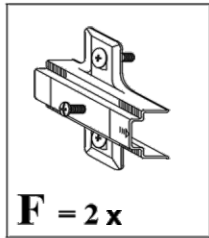
**C = 8 x**



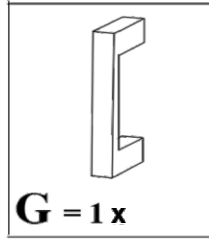
**1 X**



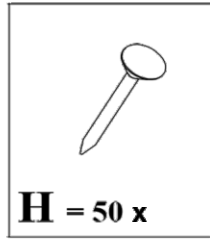
**E = 2 x**



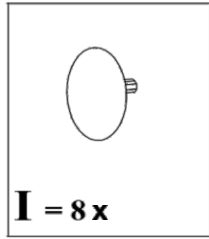
**F = 2 x**



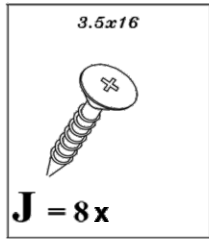
**G = 1 x**



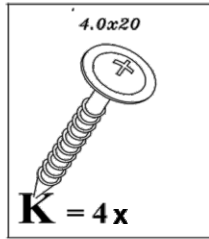
**H = 50 x**



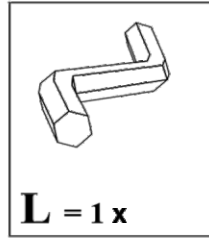
**I = 8 x**



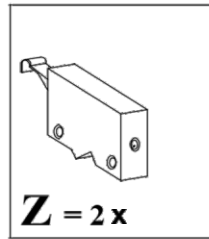
**J = 8 x**



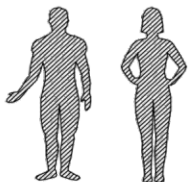
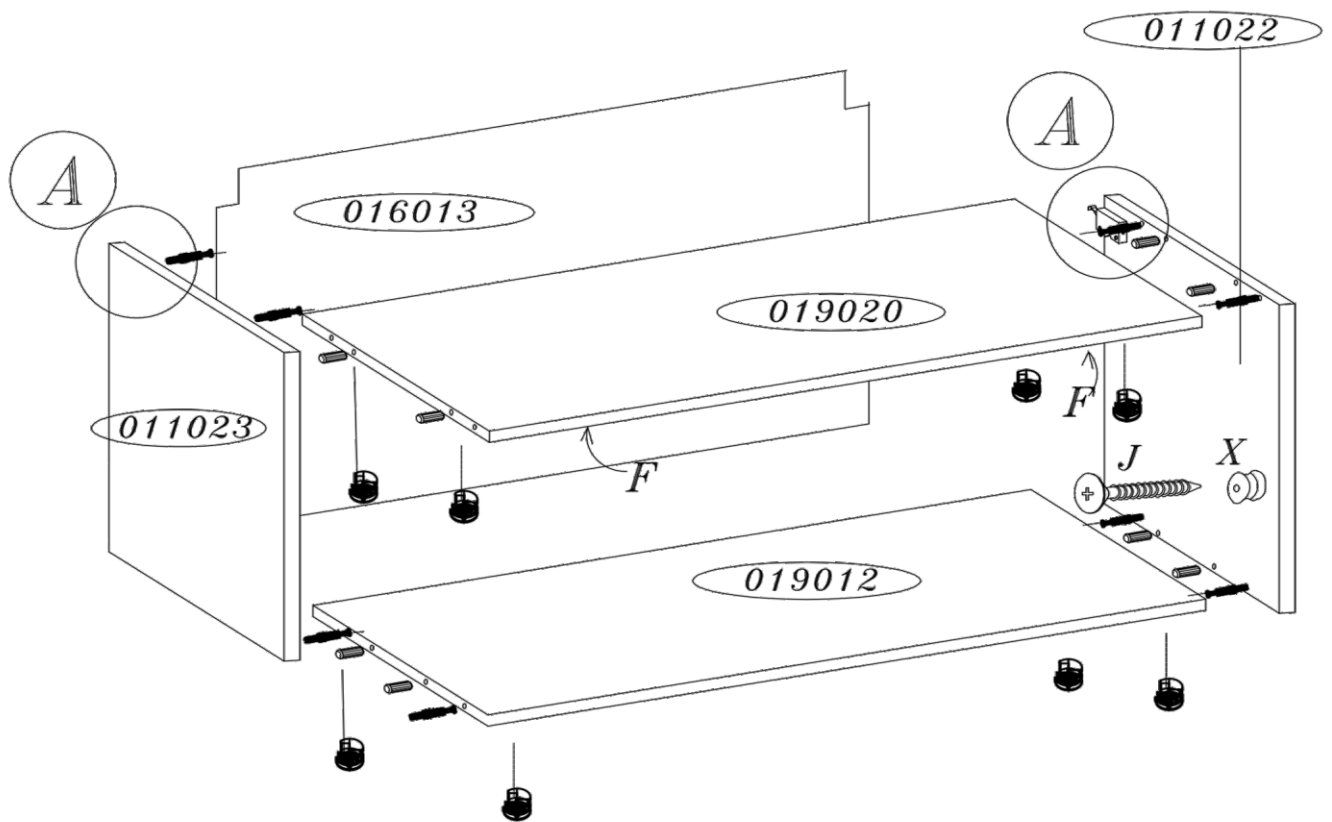
**K = 4 x**

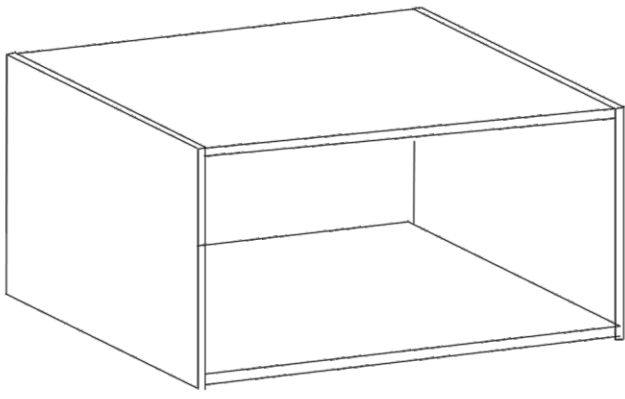


**L = 1 x**

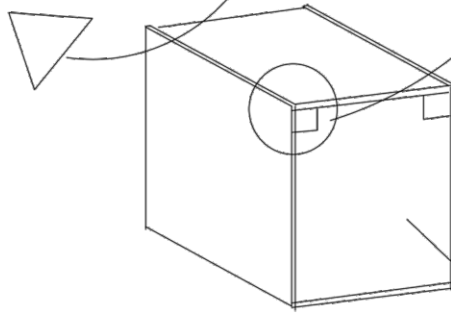
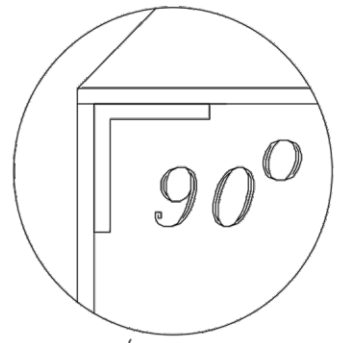
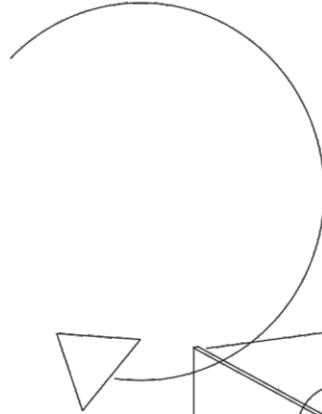


**Z = 2 x**



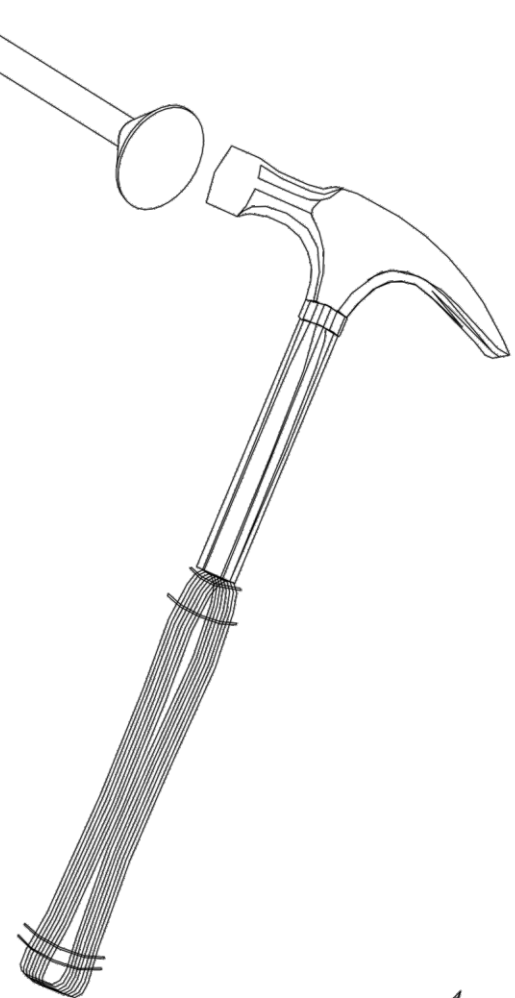
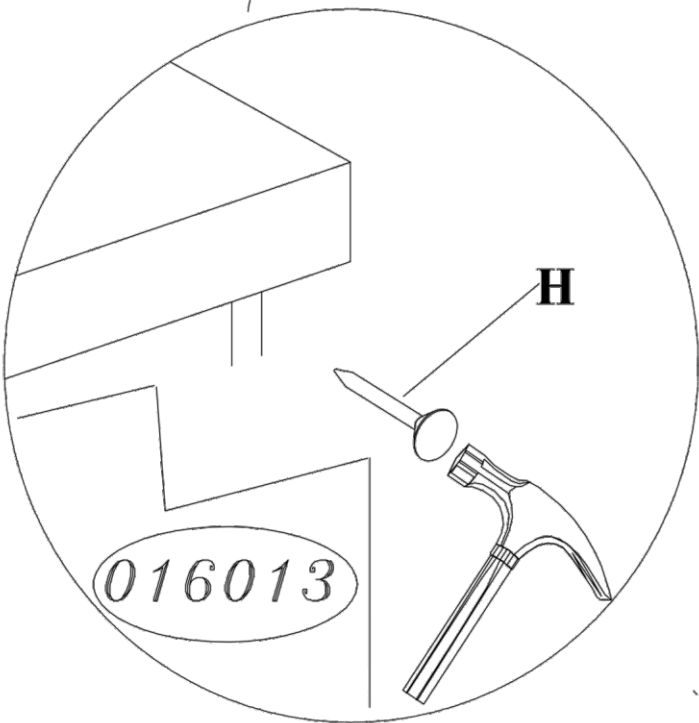
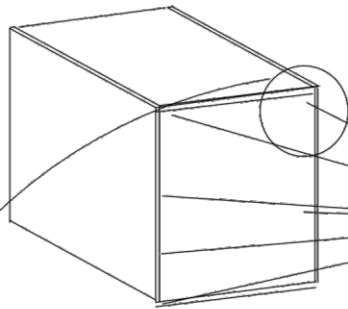


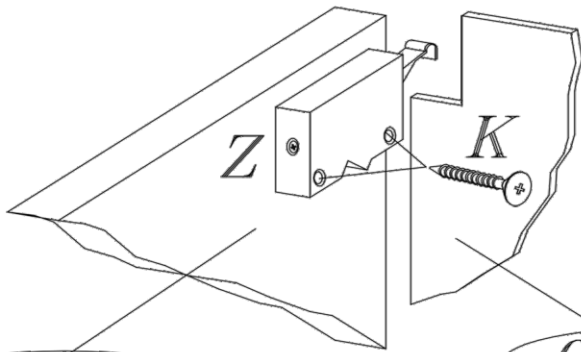
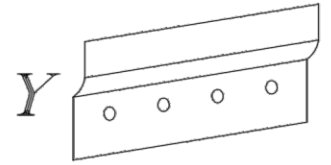
**I**



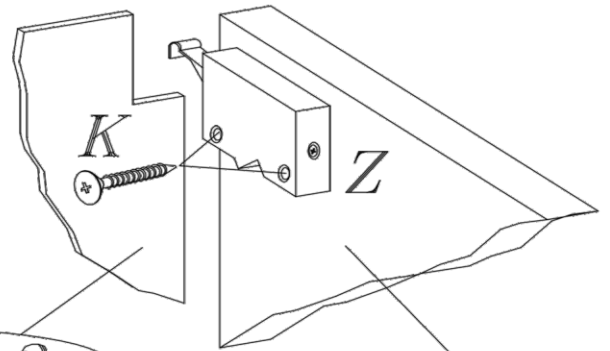
016013

**II**





011023



016013

011022

