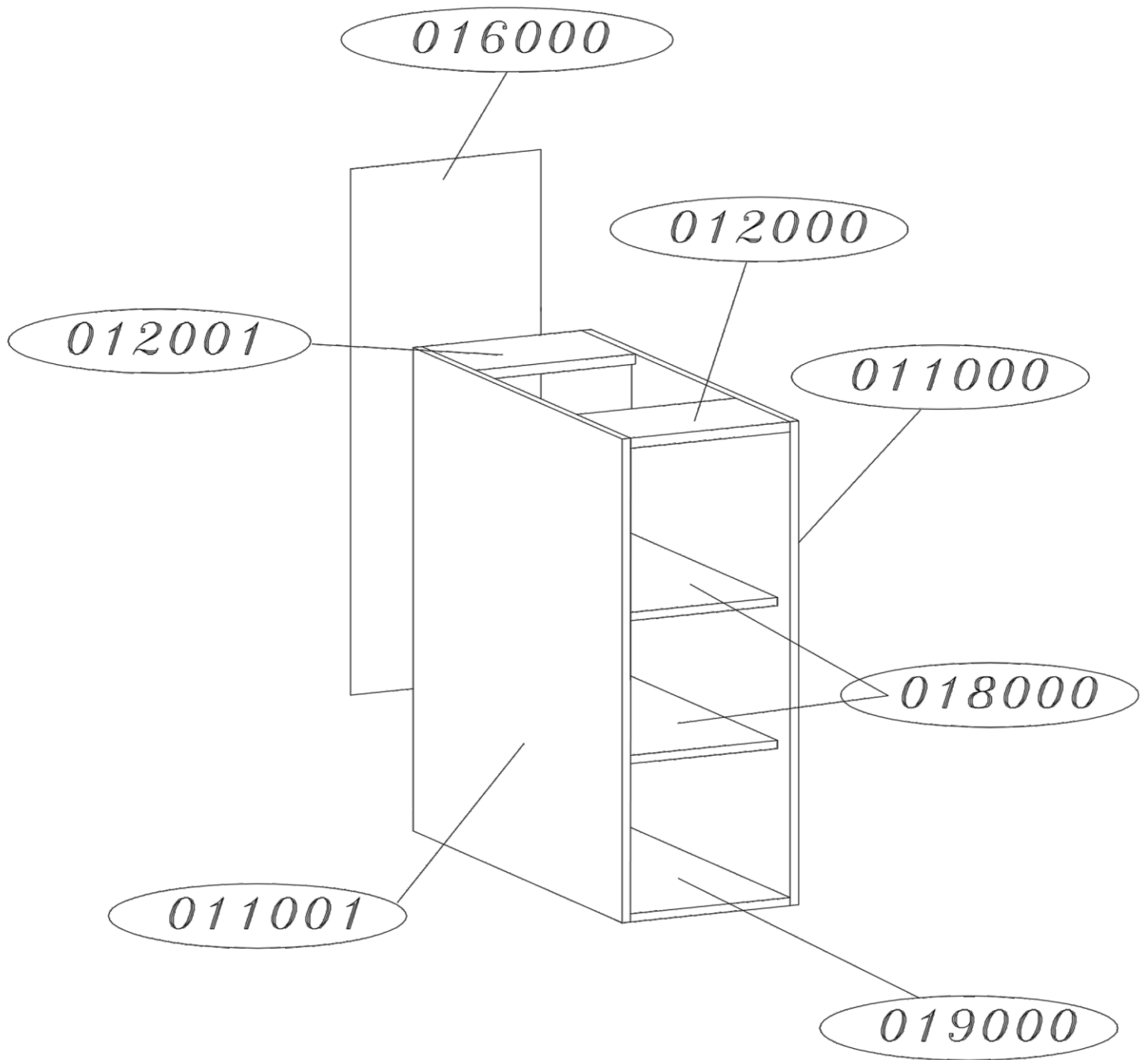
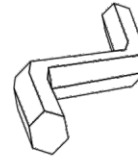
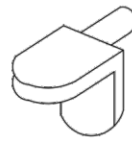
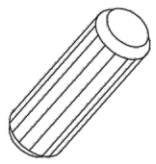


SICILIA D20P





A = 12 x

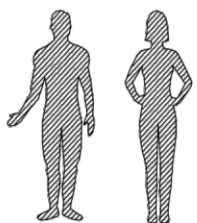
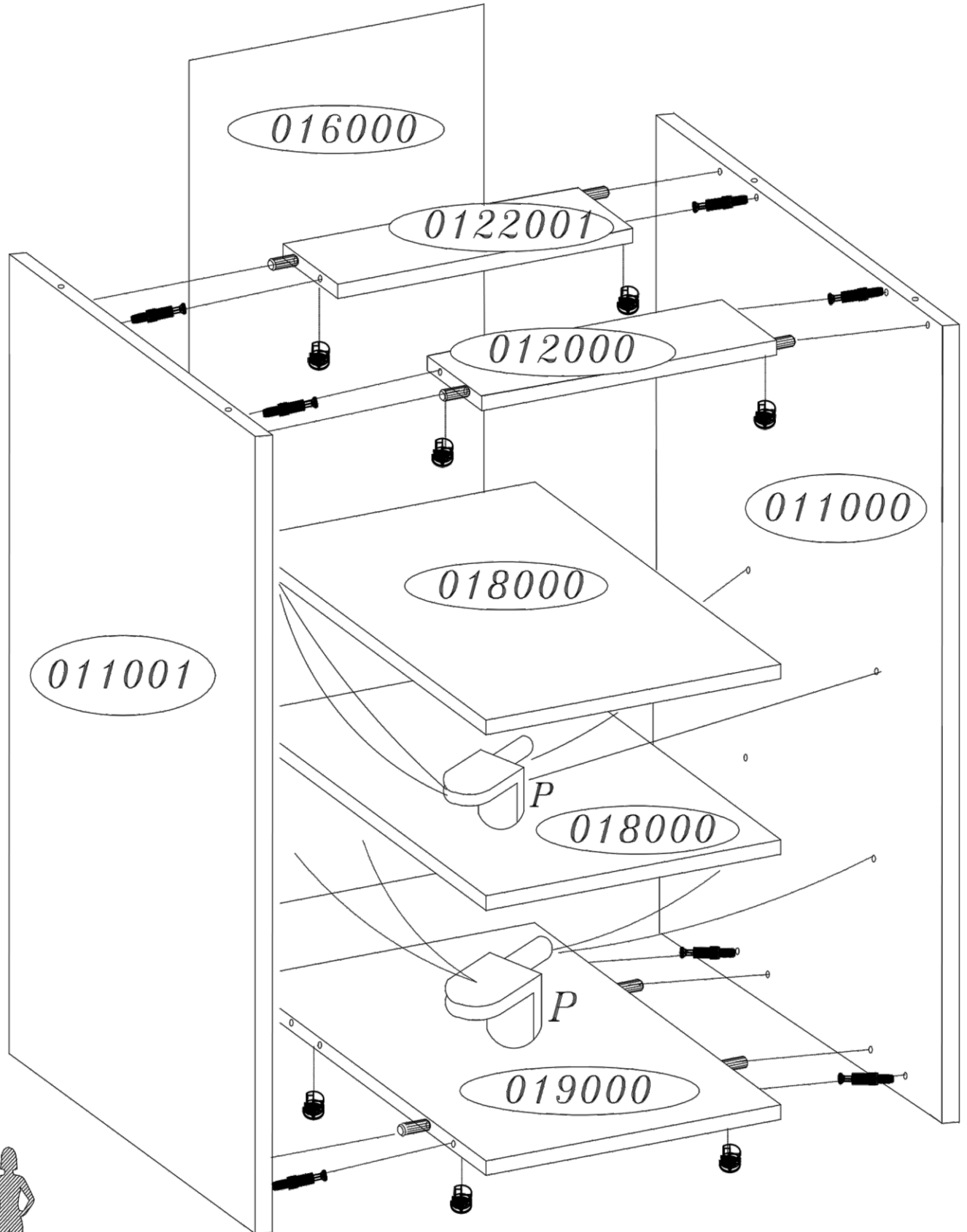
B = 8 x

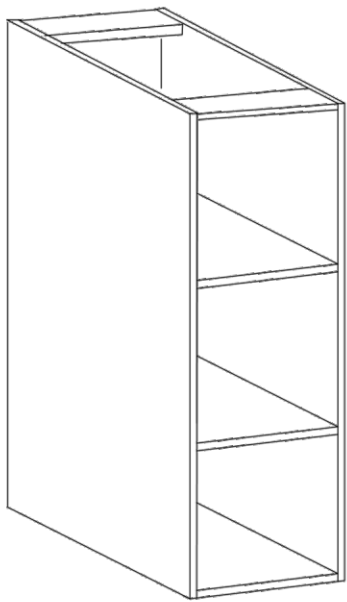
C = 8 x

D = 8 x

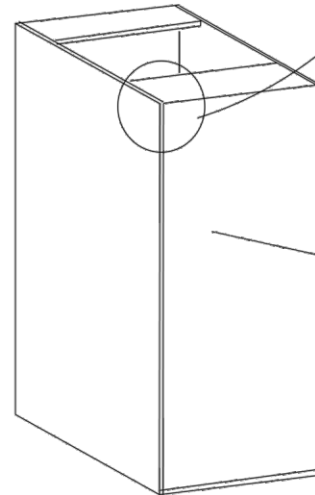
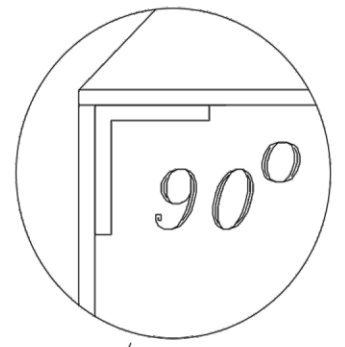
E = 25 x

F = 1 x



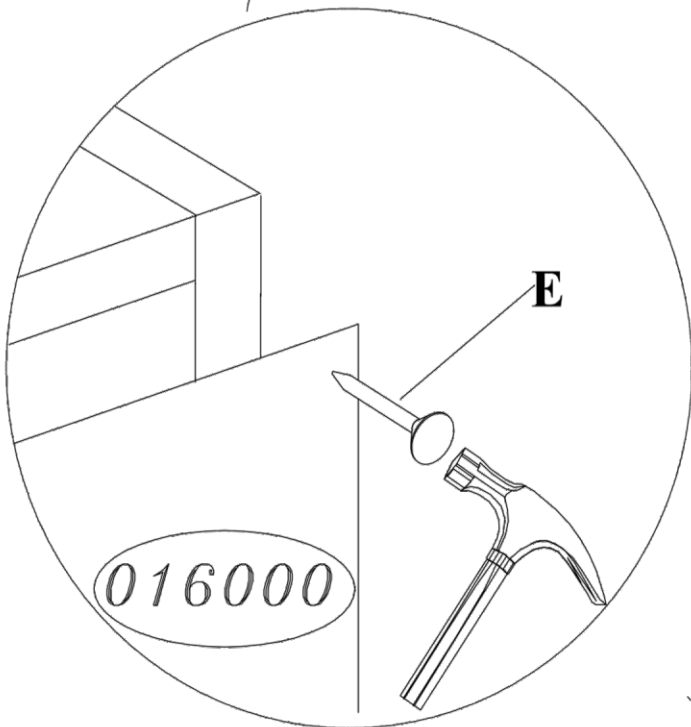
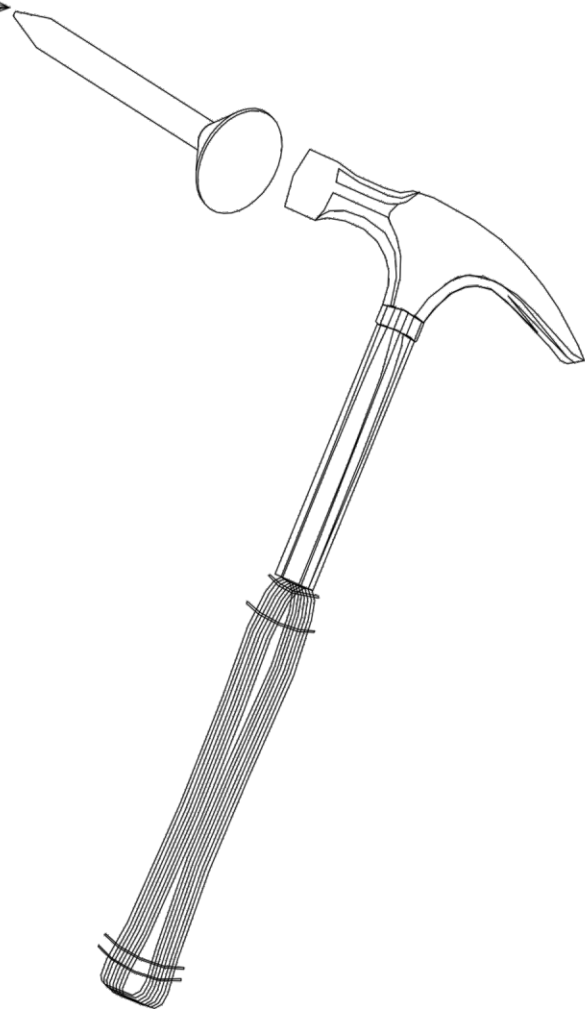
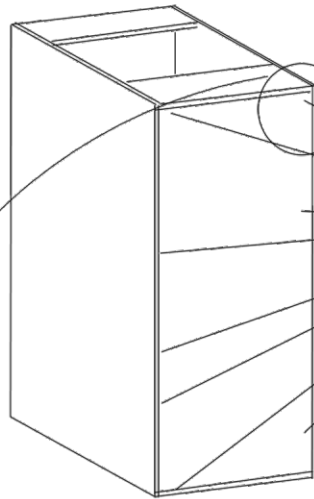


I

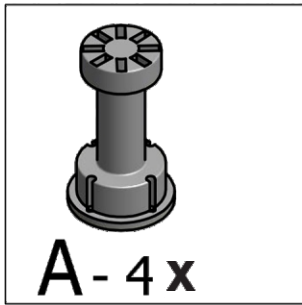
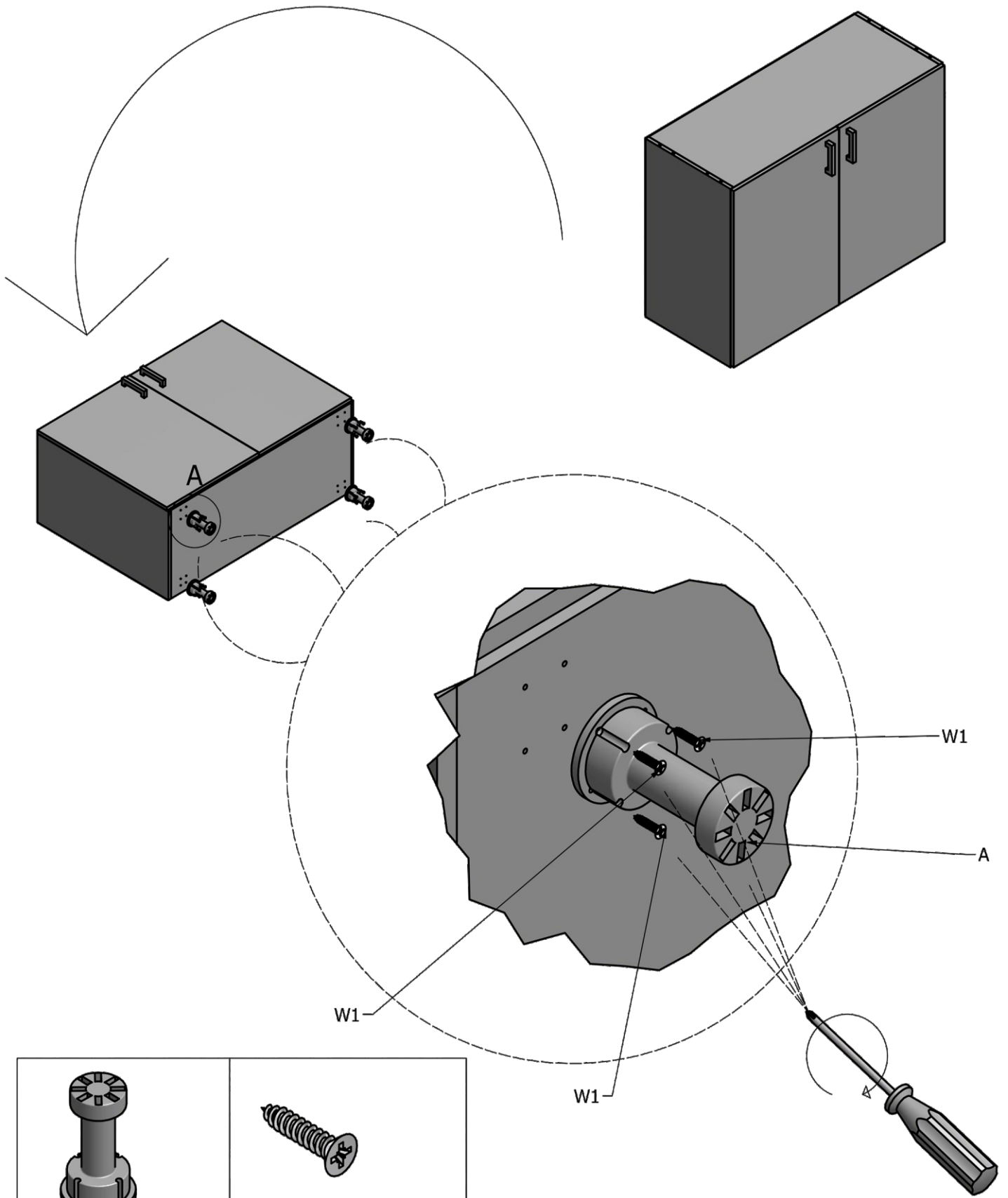


016000

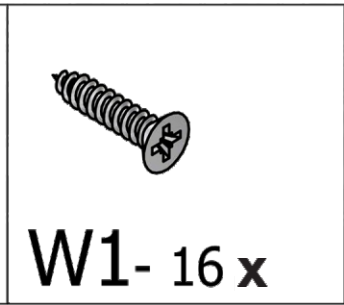
II



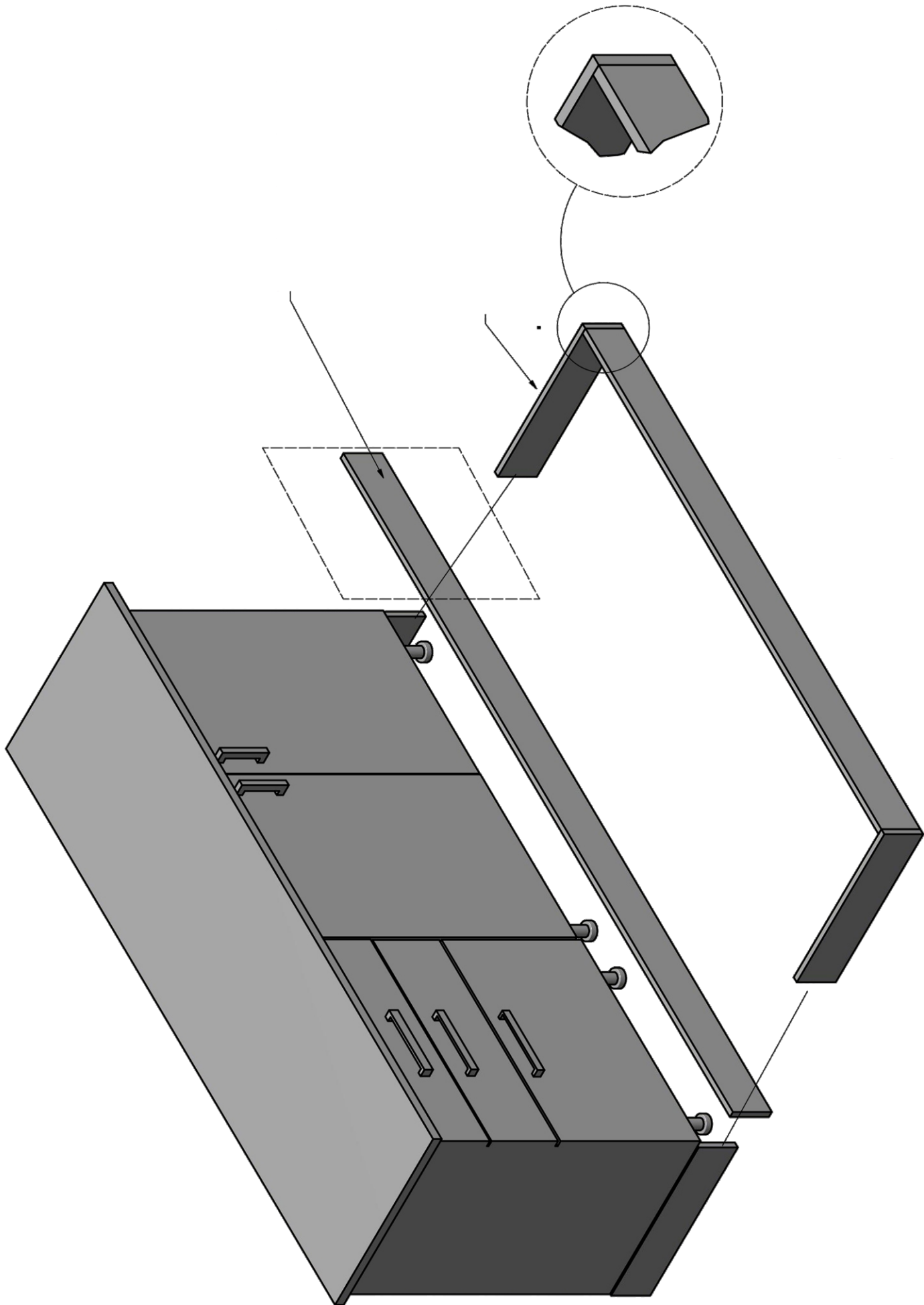
016000



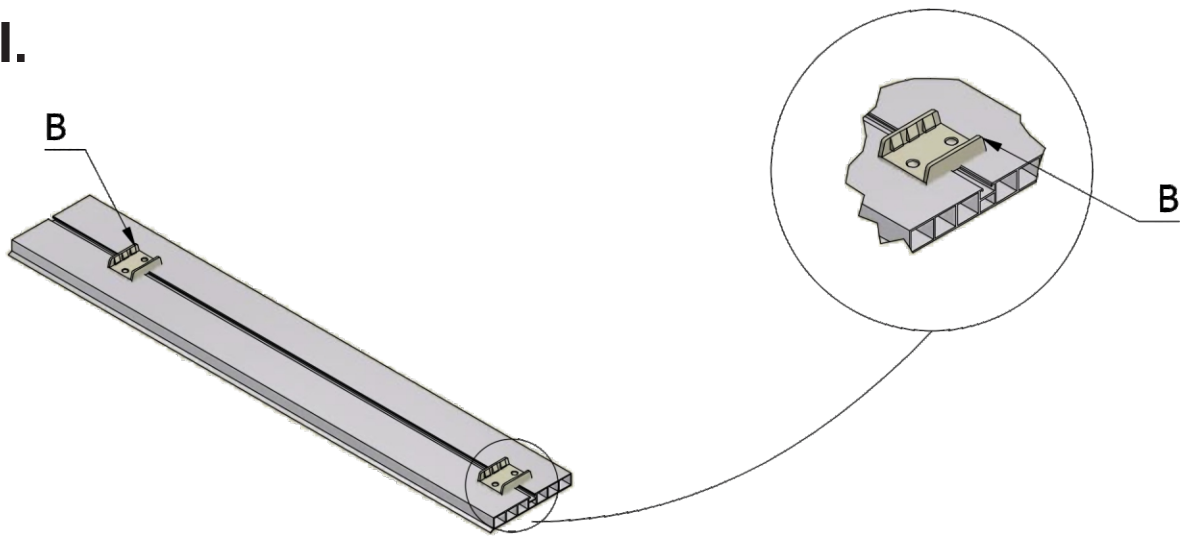
A - 4 x



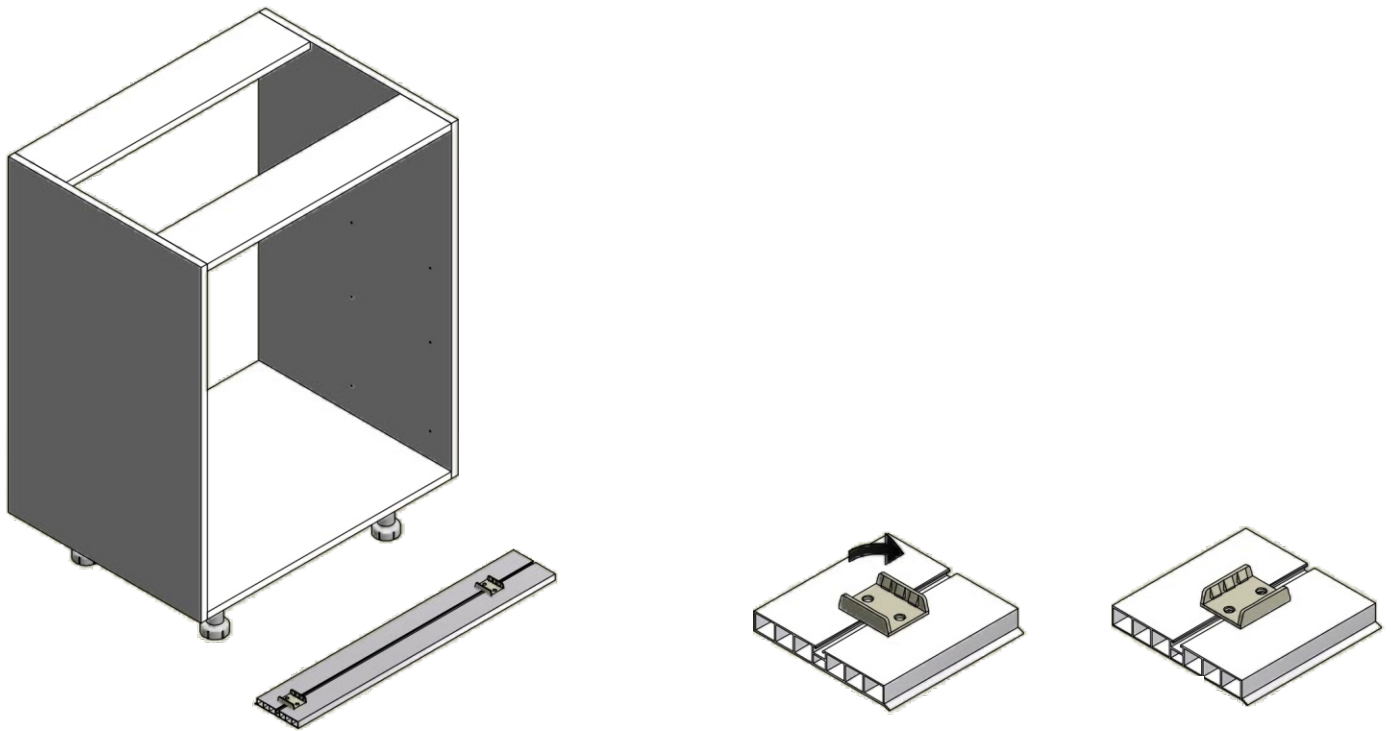
W1 - 16 x



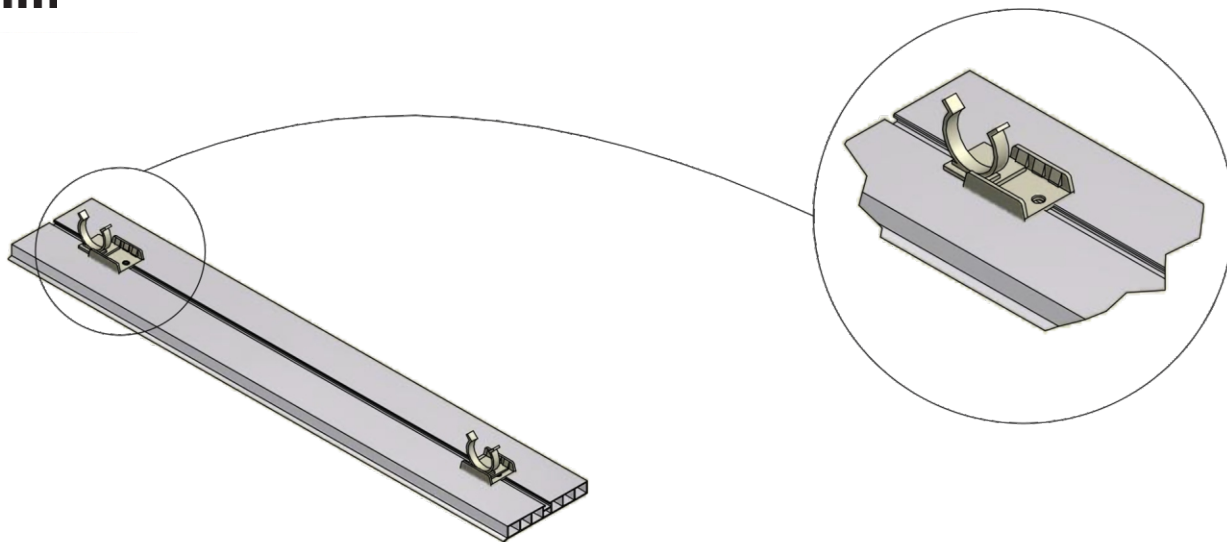
I.



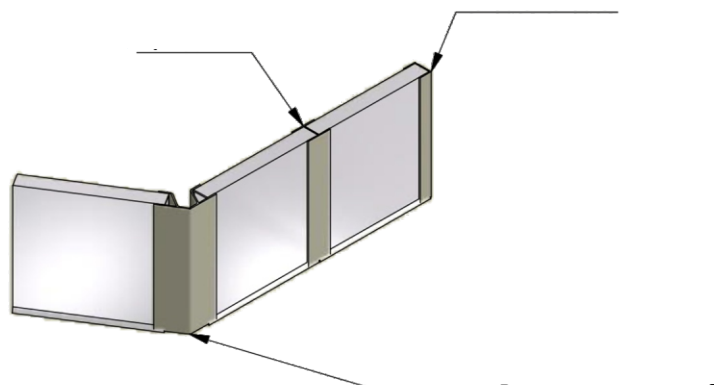
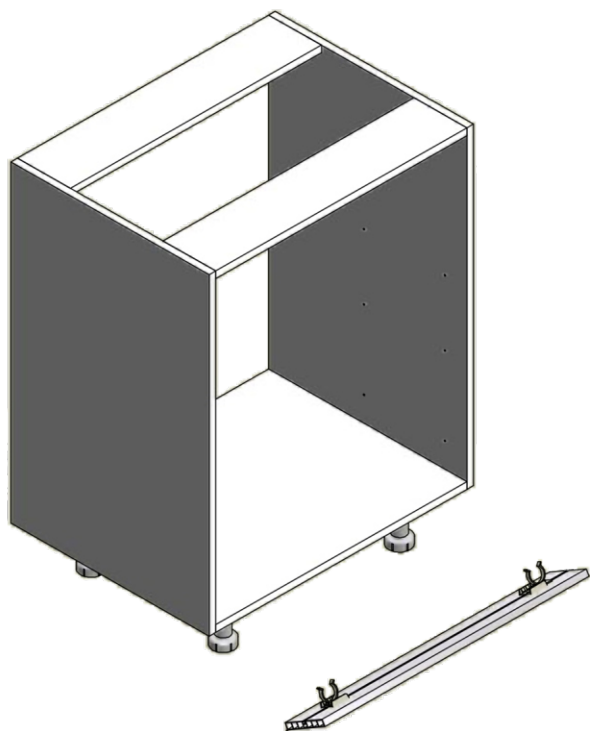
II.



III.



IV.



V.

