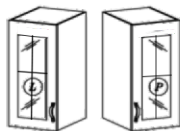
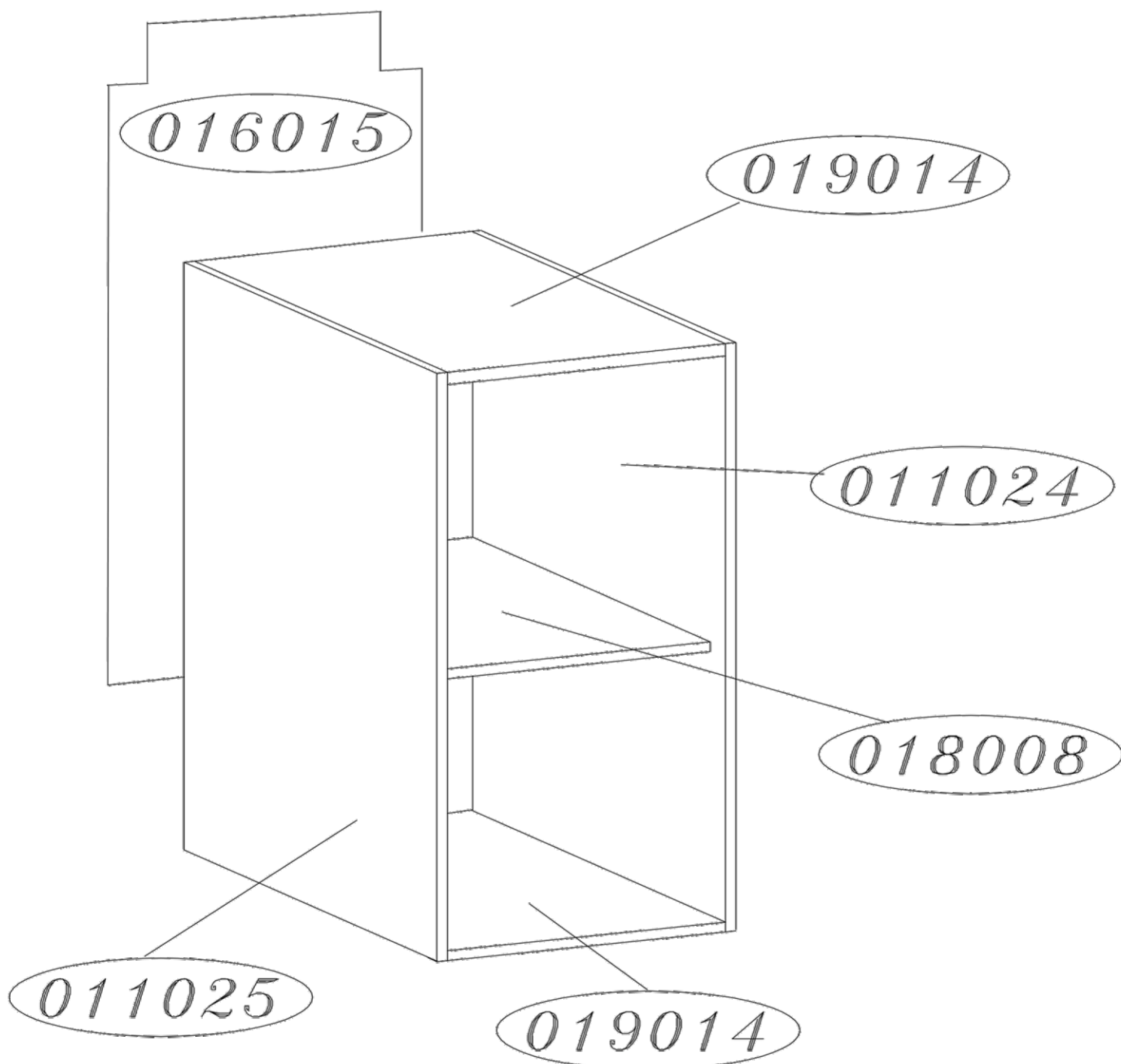


G30

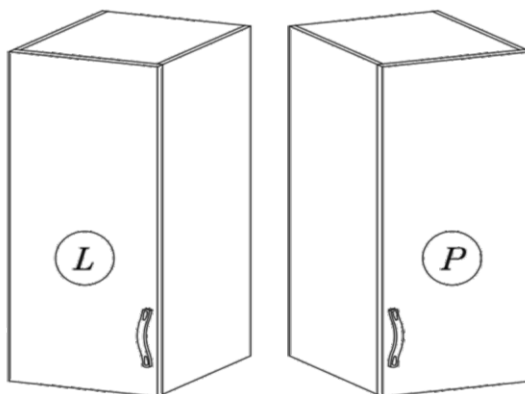


G30S

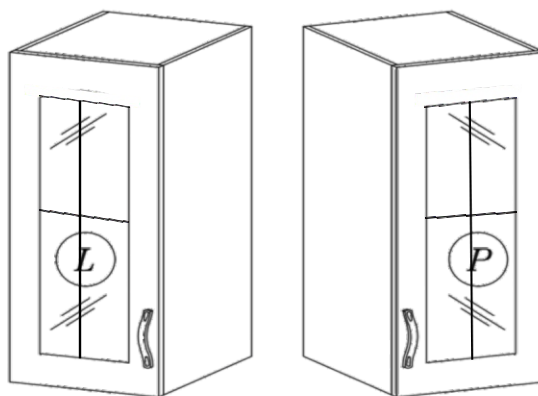
SICILIA G30 / G30S



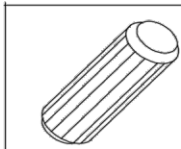
G30



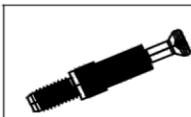
G30S



		G30		G30S	
SAN MARINO	KREMOWY	400400	400401	400402	400403
COSTA	LAKIER BIEL	010400	010401	n.d.	n.d.
MALAGA	LAKIER PIASKOWY	380400	380401	n.d.	n.d.



A = 8x



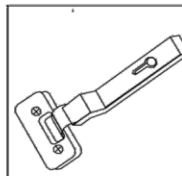
B = 8x



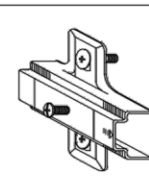
C = 8x



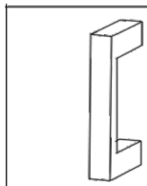
D = 4x



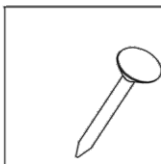
E = 2x



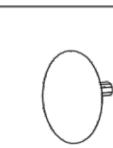
F = 2x



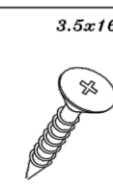
G = 1x



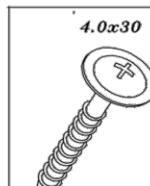
H = 25x



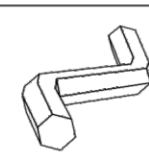
I = 8x



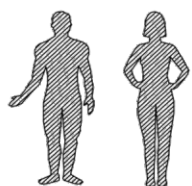
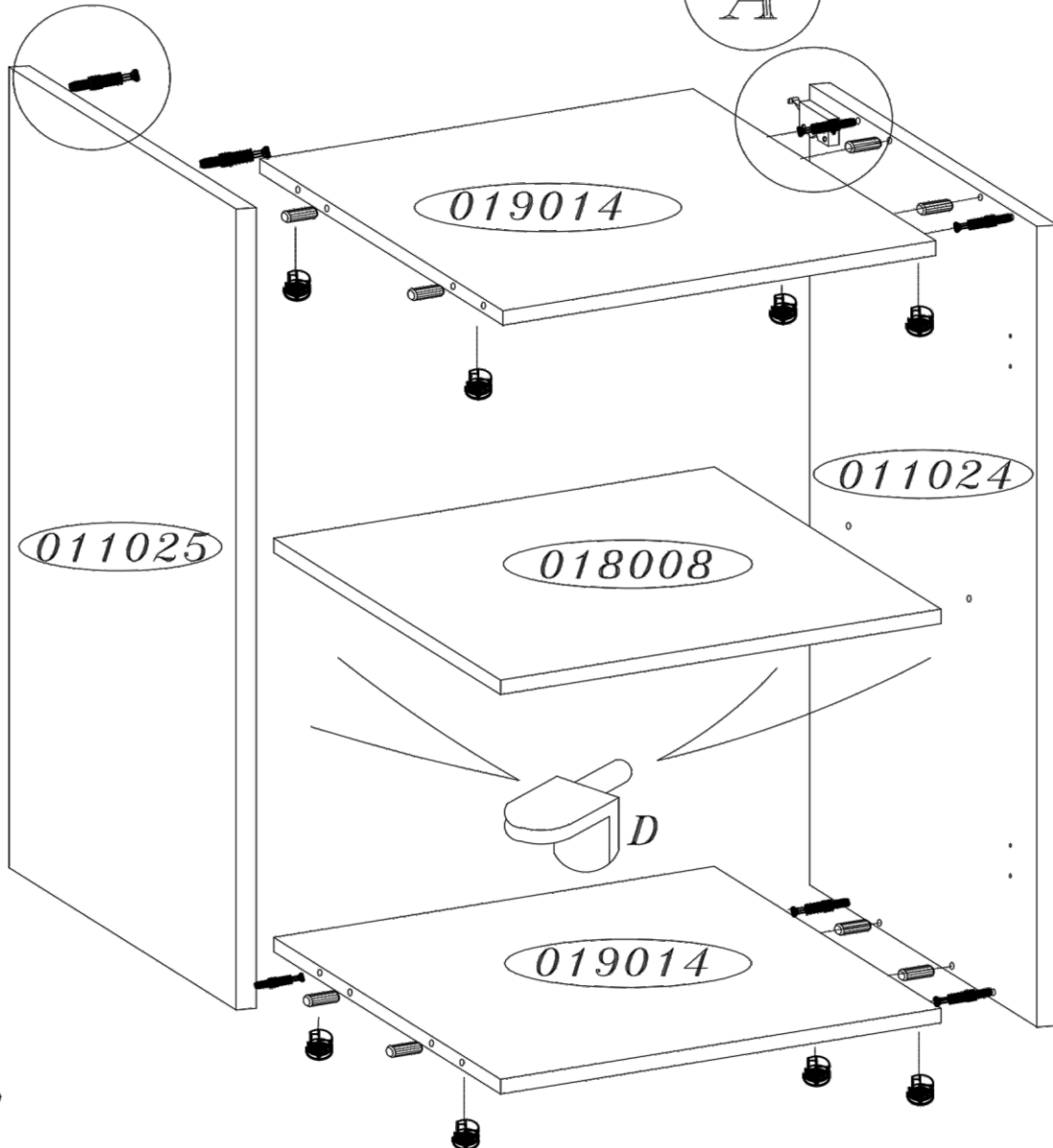
J = 4x

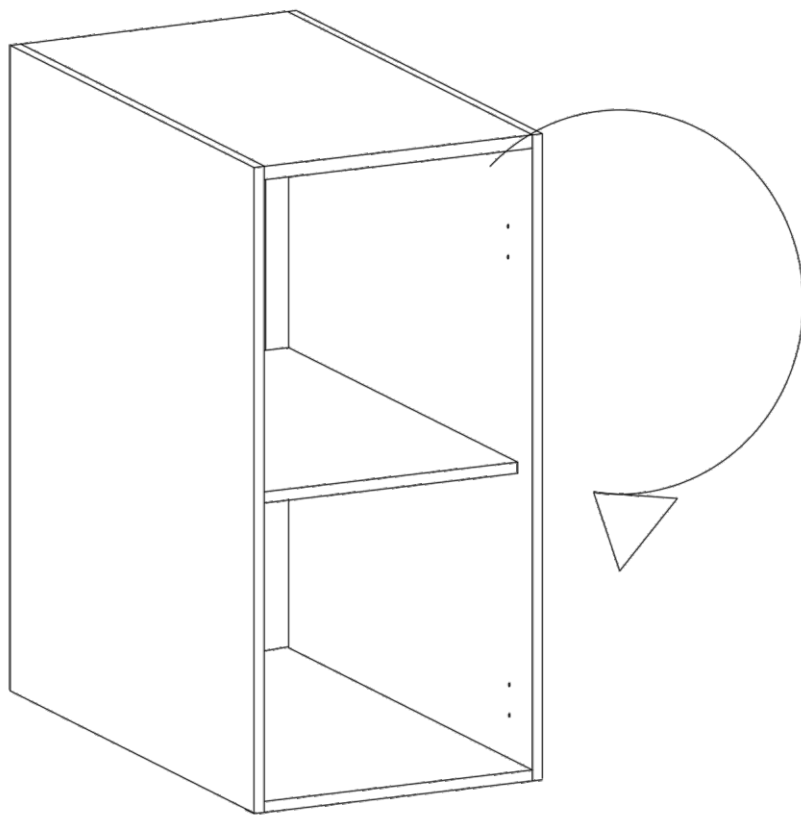


K = 4x

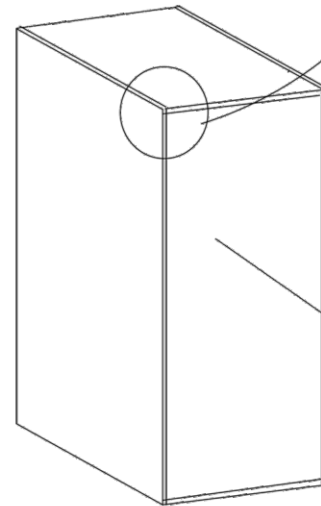


L = 1x

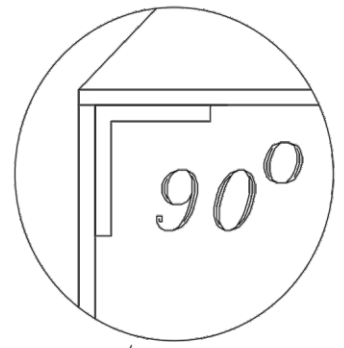




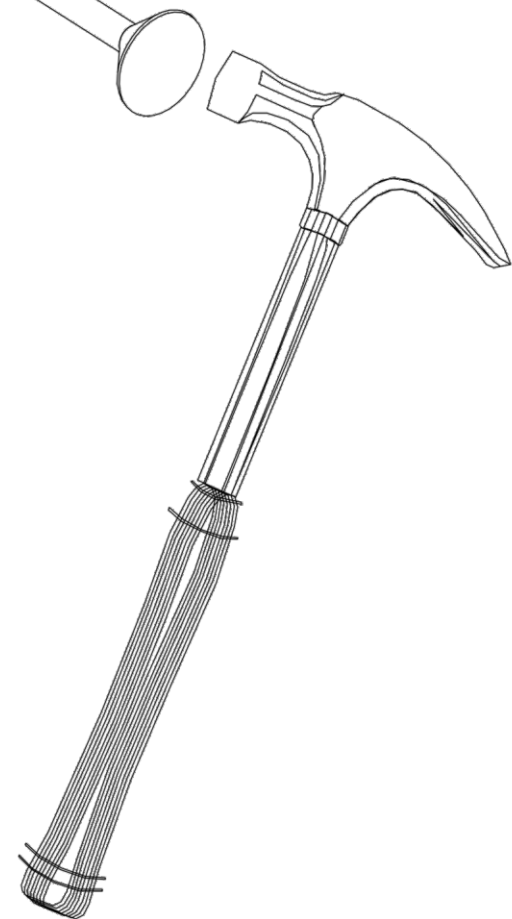
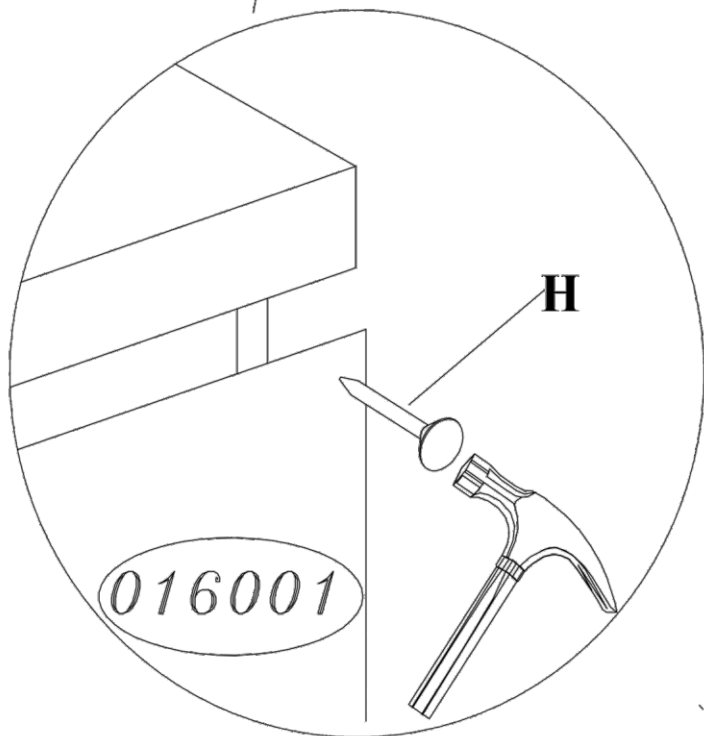
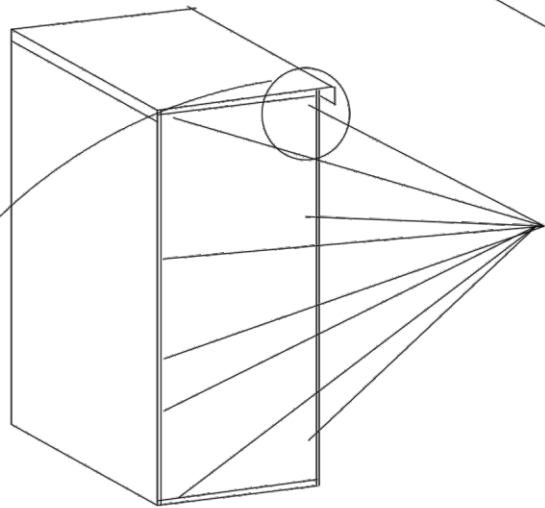
II

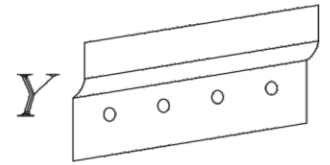


I

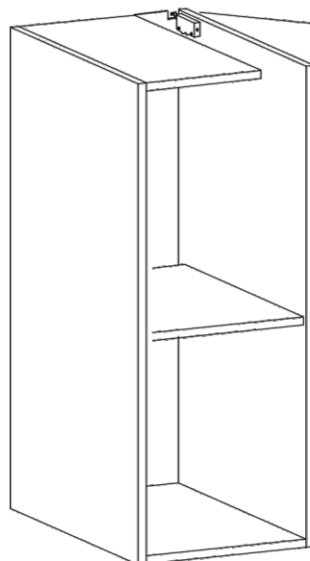
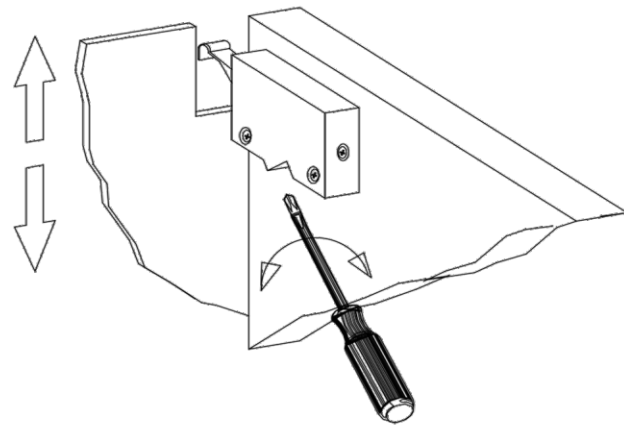
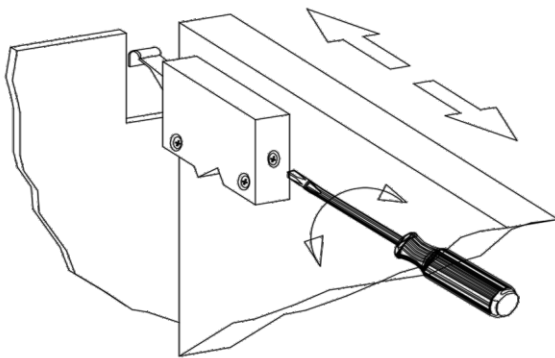
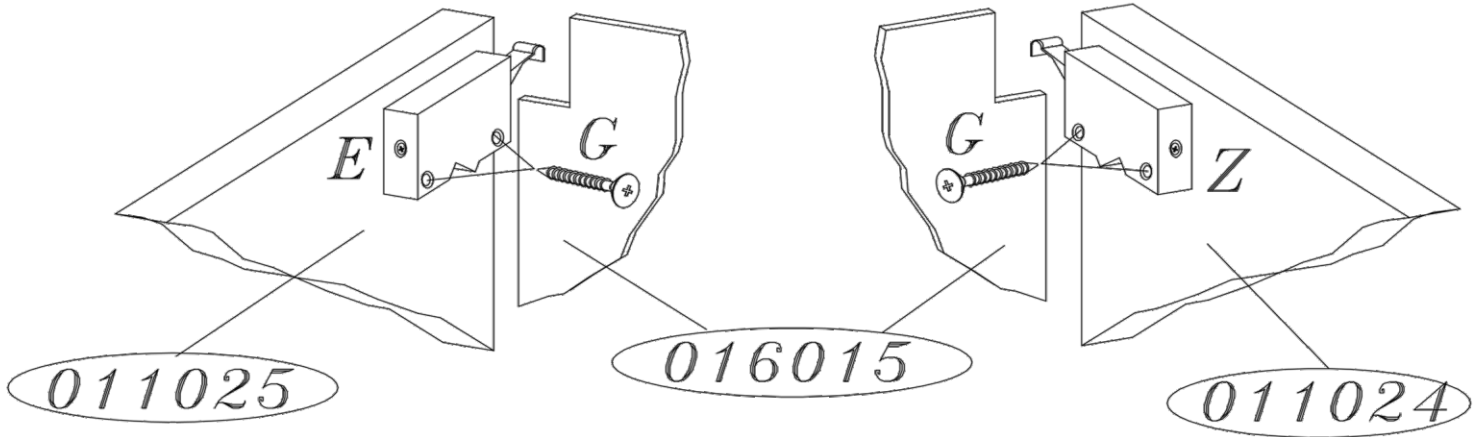


016001





A



A

