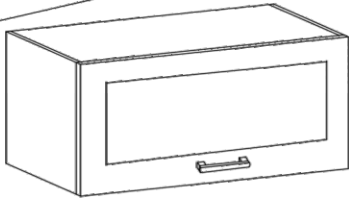
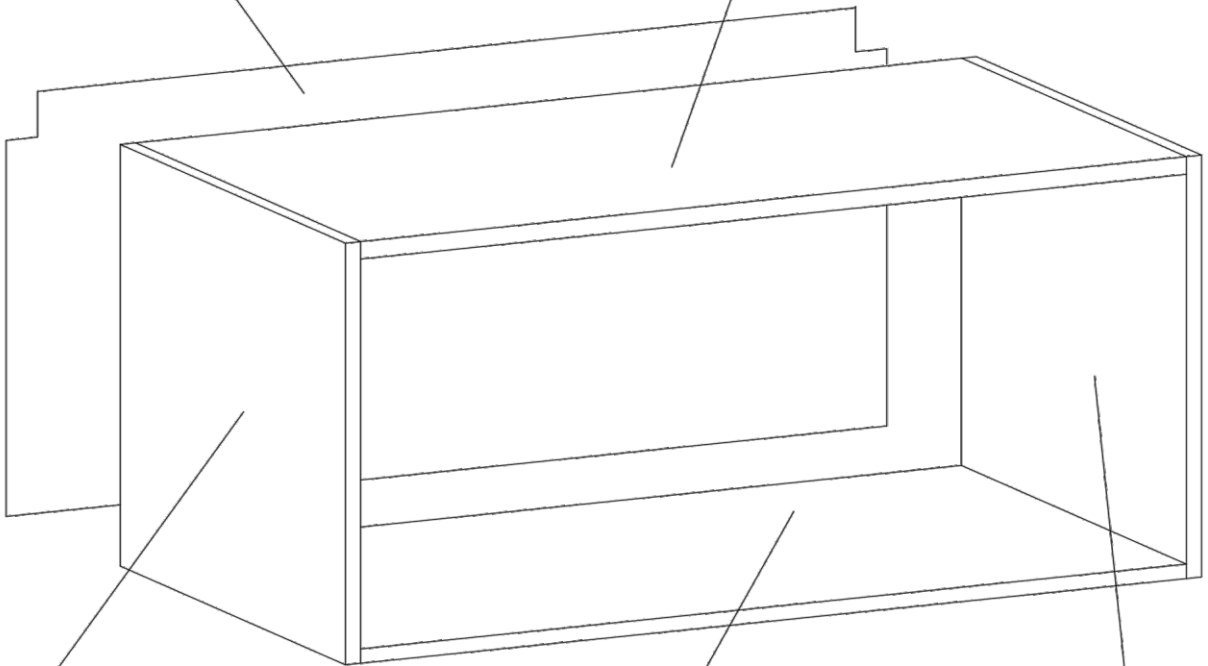


# SICILIA G60KN / G60KSN



016025

019019

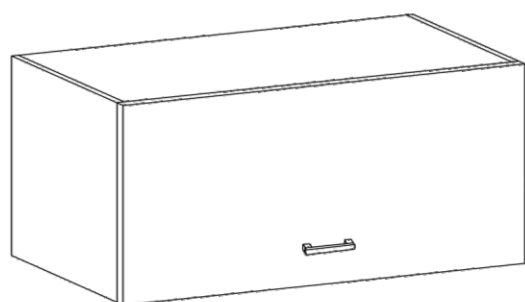


011031

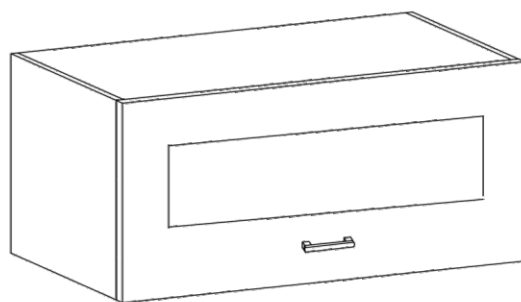
019011

011030



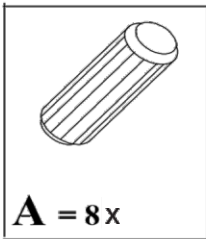


**G60KN**

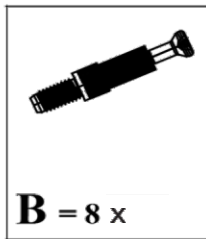


**G60KSN**

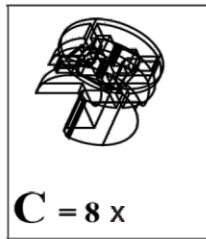
SYSTEM		G60KN	G60KSN
SAN MARINO	KREMOWY	400441	400440
COSTA	LAKIER BIEL	010441	010440
MALAGA	LAKIER PIASKOWY	380441	380440



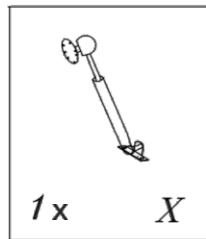
**A = 8x**



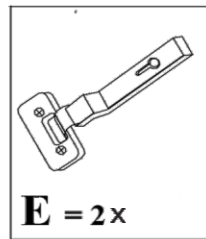
**B = 8x**



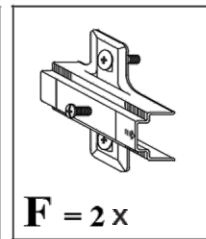
**C = 8x**



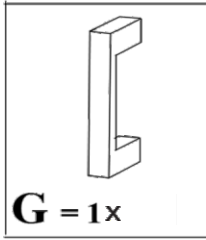
**1x X**



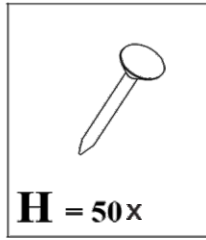
**E = 2x**



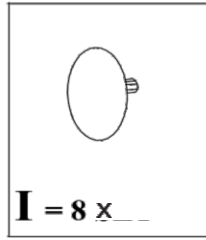
**F = 2x**



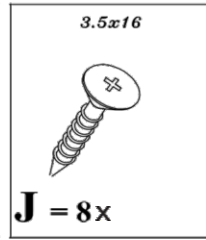
**G = 1x**



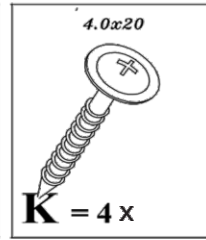
**H = 50x**



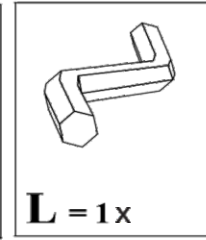
**I = 8x**



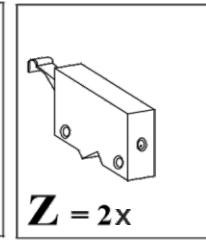
**J = 8x**



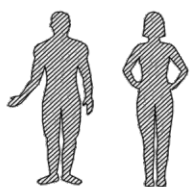
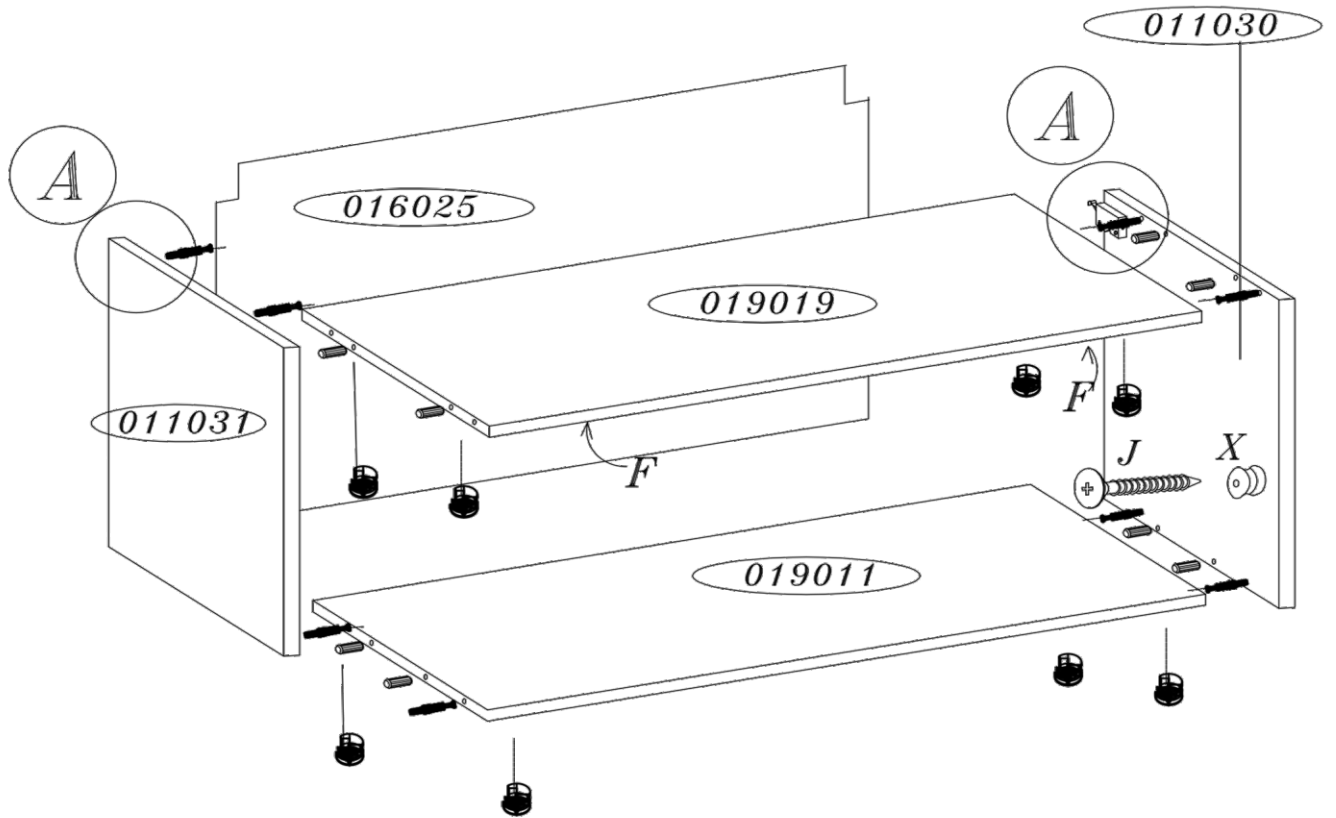
**K = 4x**

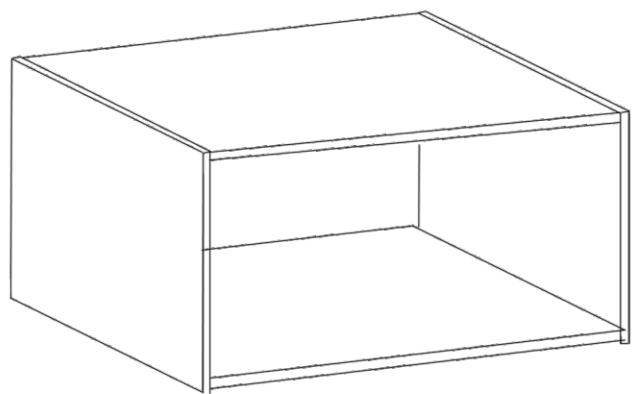


**L = 1x**

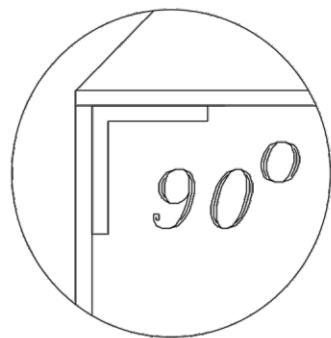


**Z = 2x**

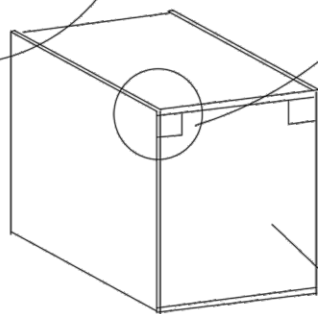
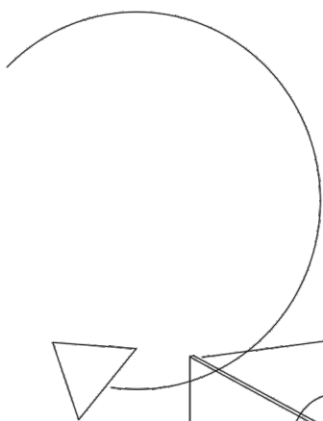




**I**

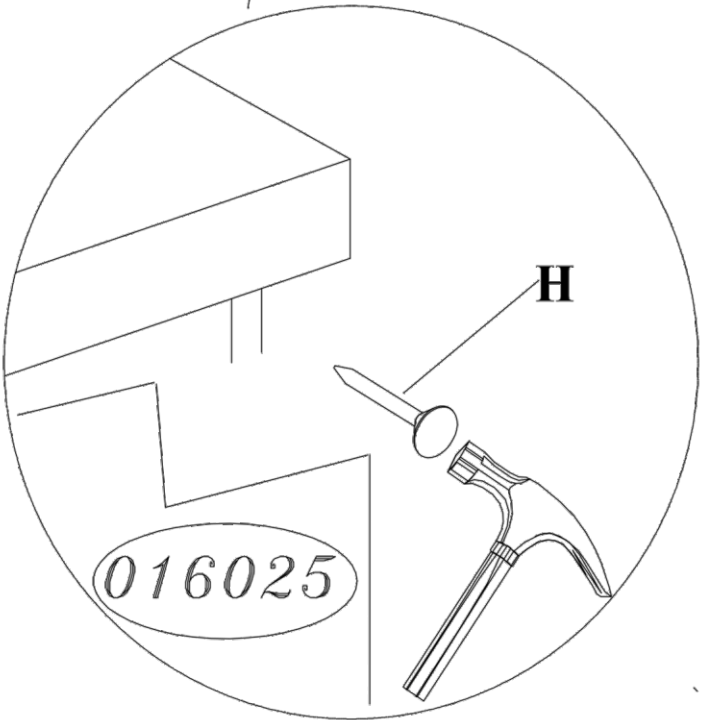
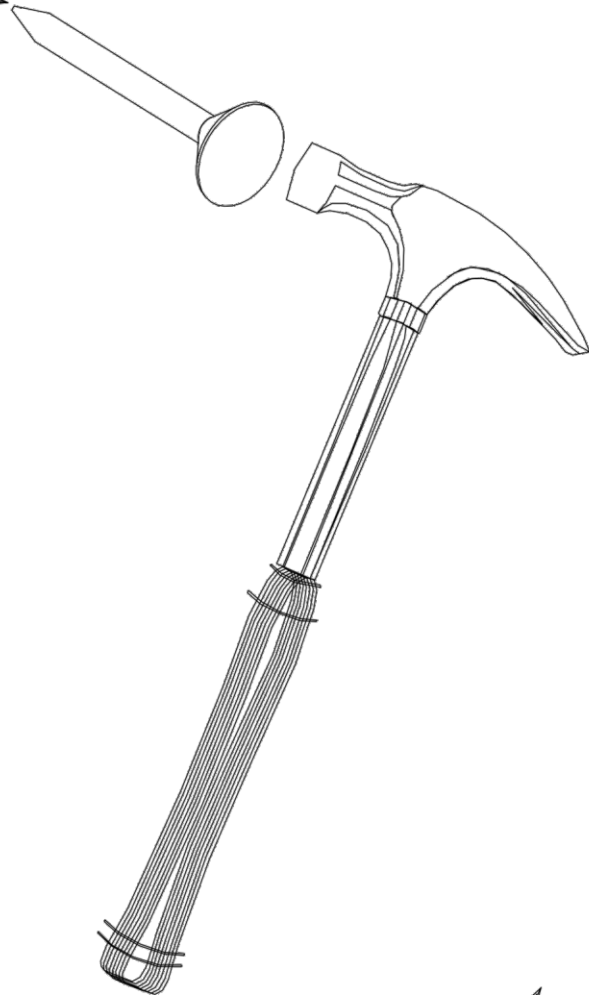
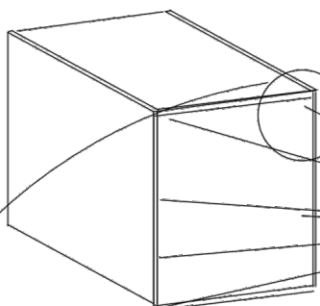


90°



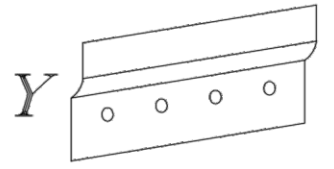
016025

**II**



**H**

016025



A

