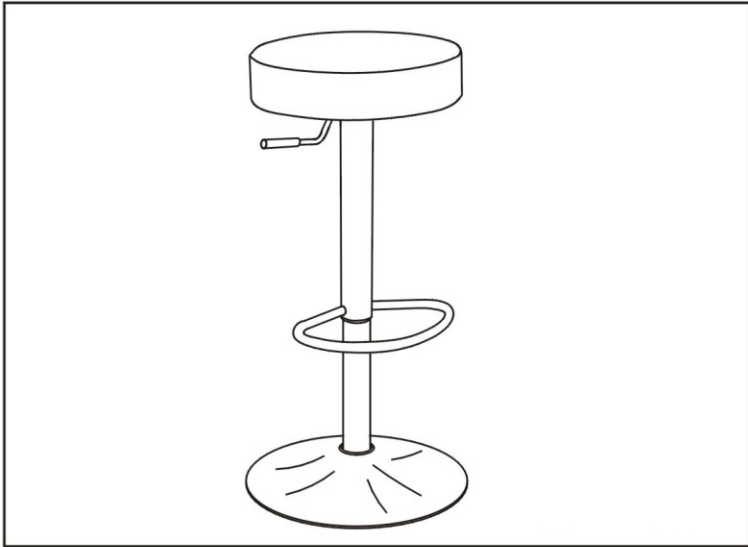
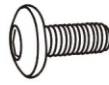


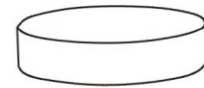
GALVIN



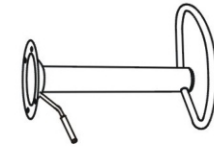
A. (M6X14)X4



B. (M6)X1



①x1



②x1



③x1



④x1

