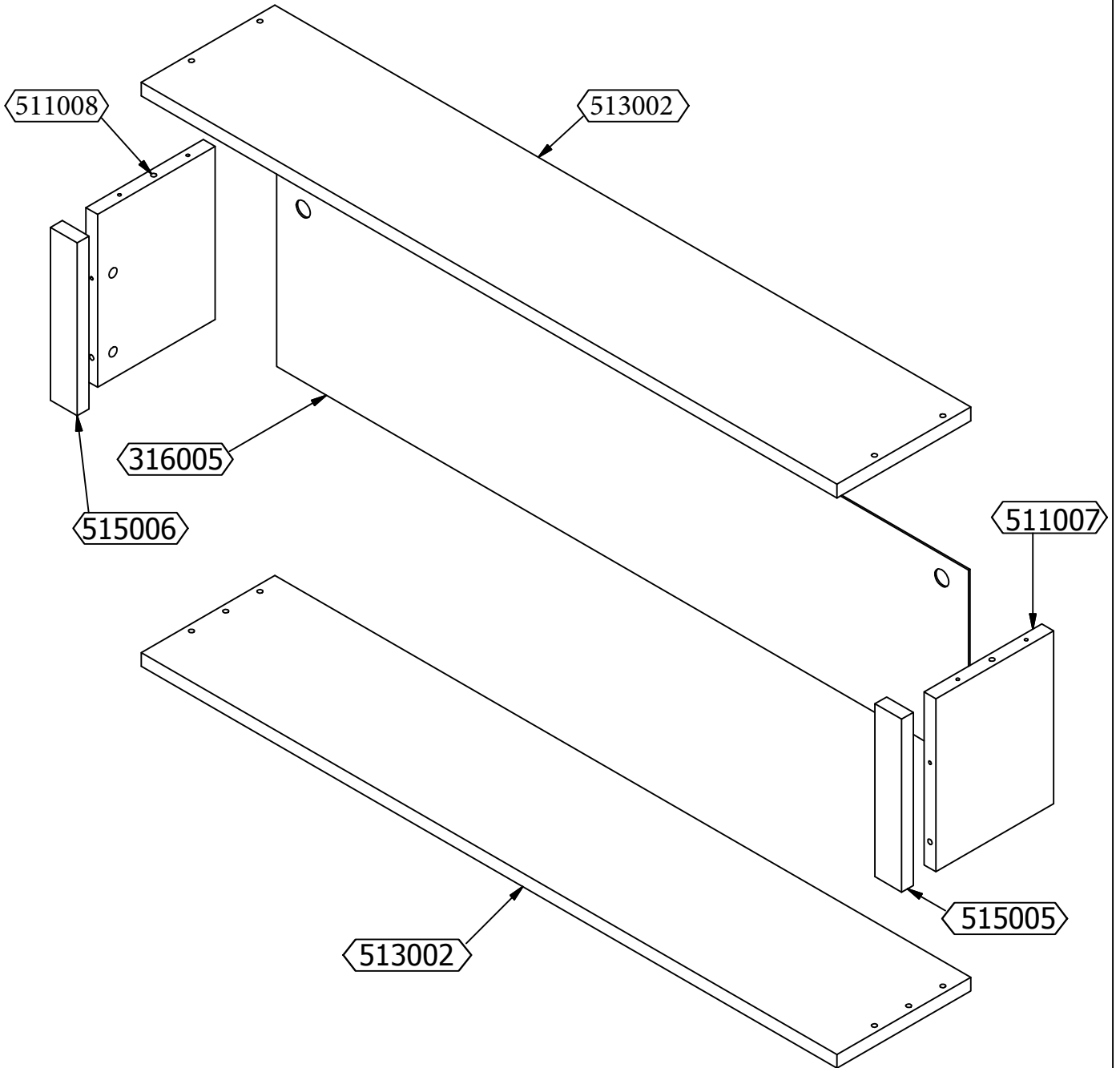
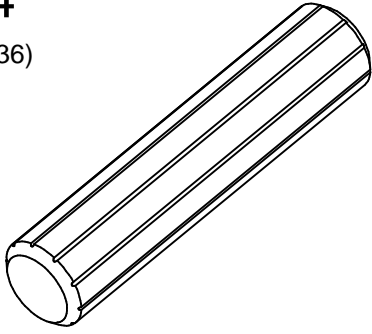


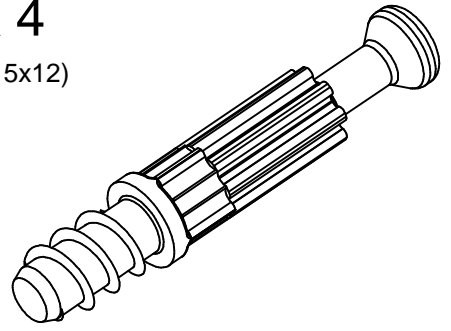
MONTANA W1



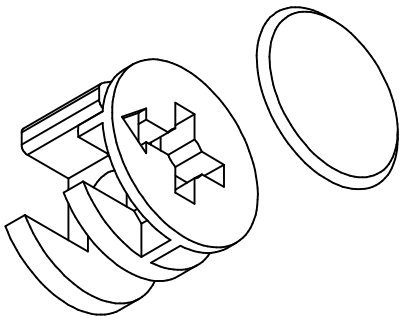
A x 4
(8x36)



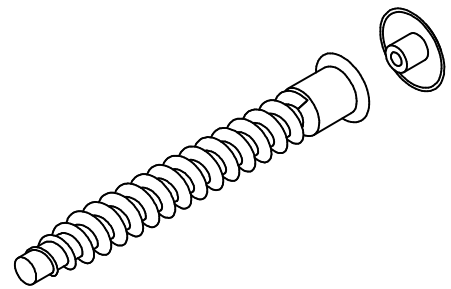
B x 4
(15x12)



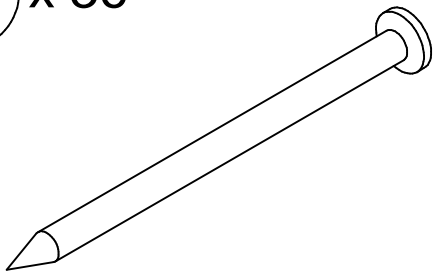
C x 4



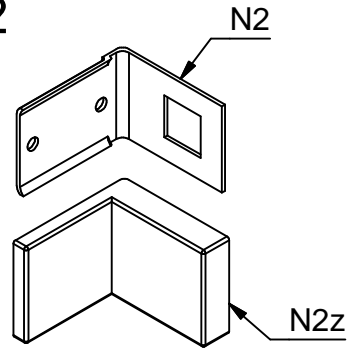
D x 8



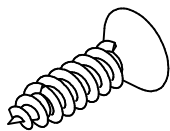
G x 36



N x 2



W2 x 4
(3,5x16)



Z x 1

