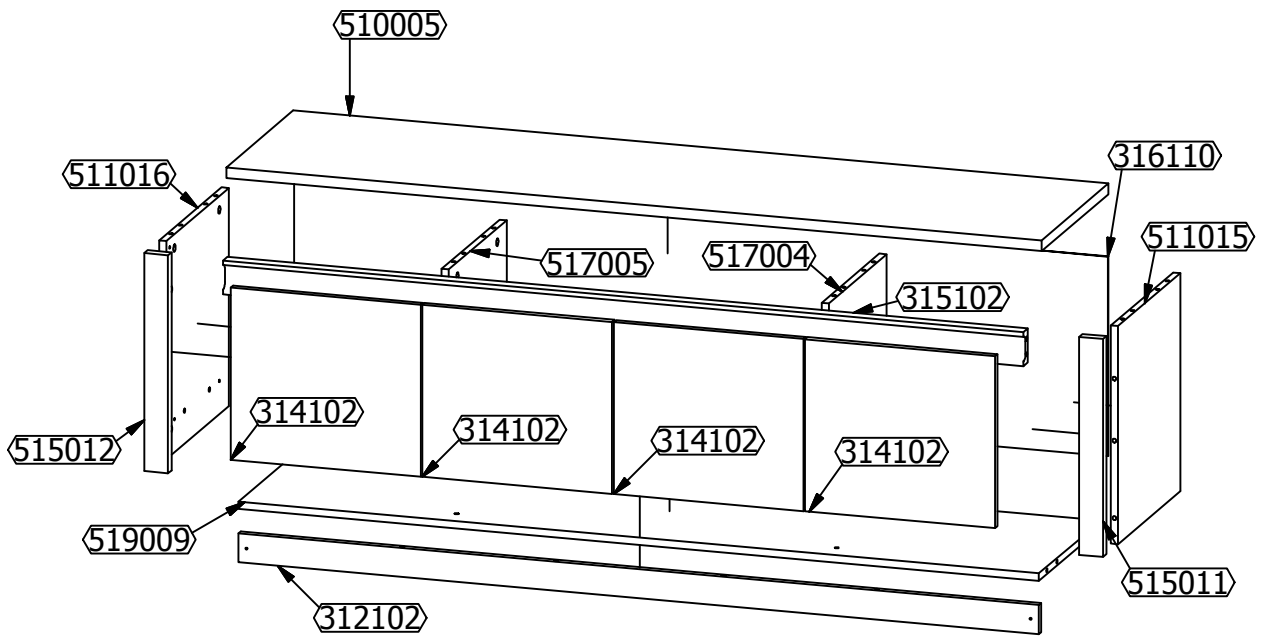
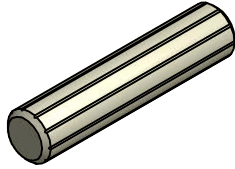


# MONTANA K4D



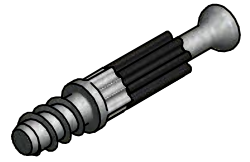
A

x 20  
(8x36)



B

x 18



C

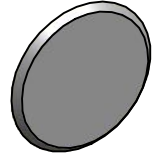
x 18



(15x12)

D

x 22



E

x 60



G

x 4



H

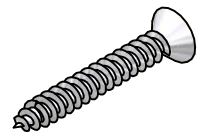
x 16



(3,5 x 16)

K

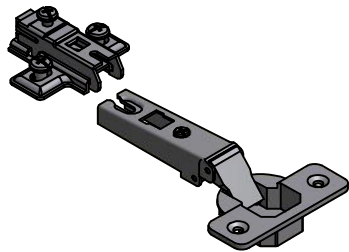
x 2



(4 x 30)

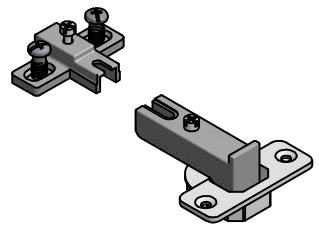
T/T1

x 4



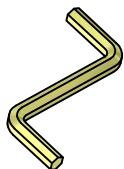
U/U1

x 4

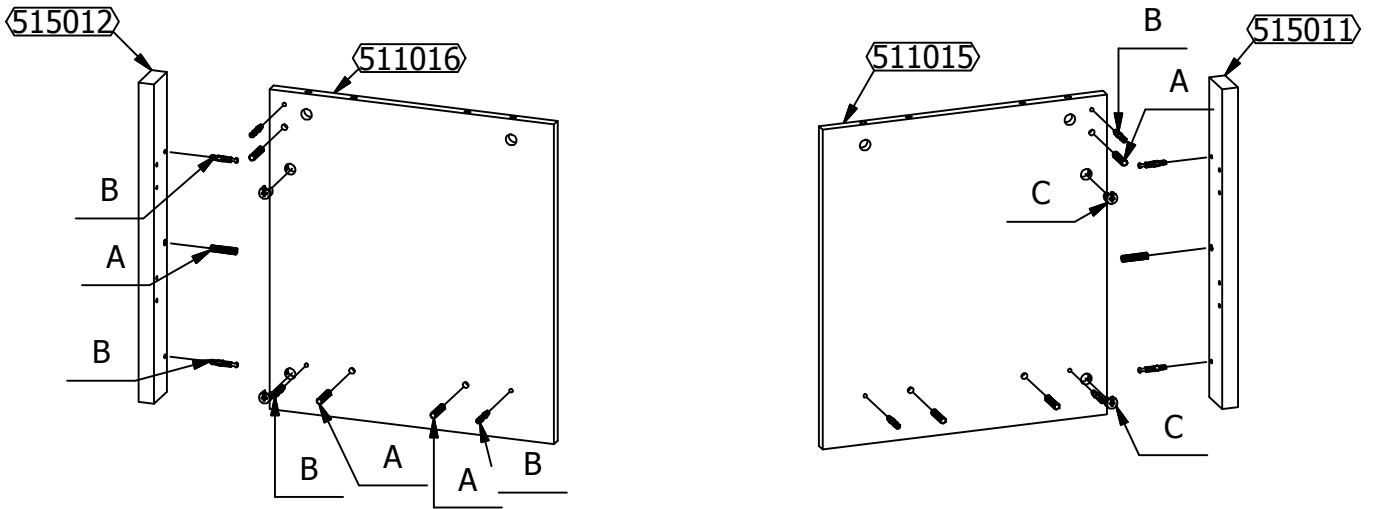


Z

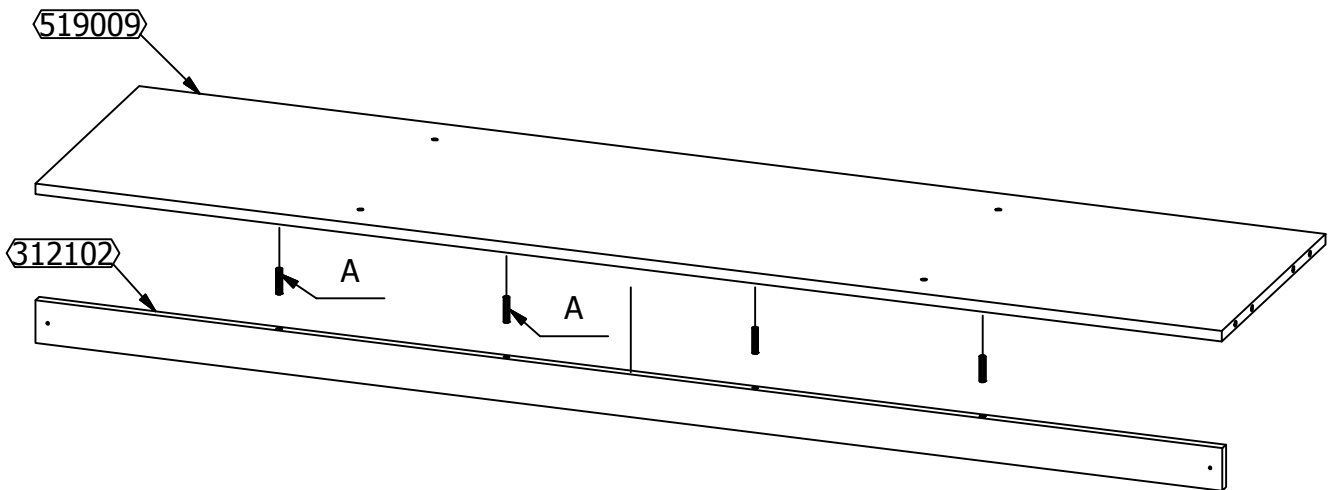
x 1



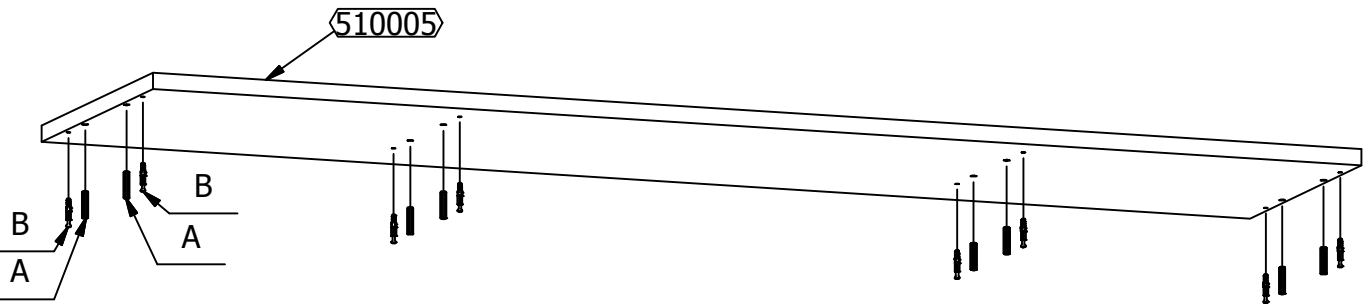
1



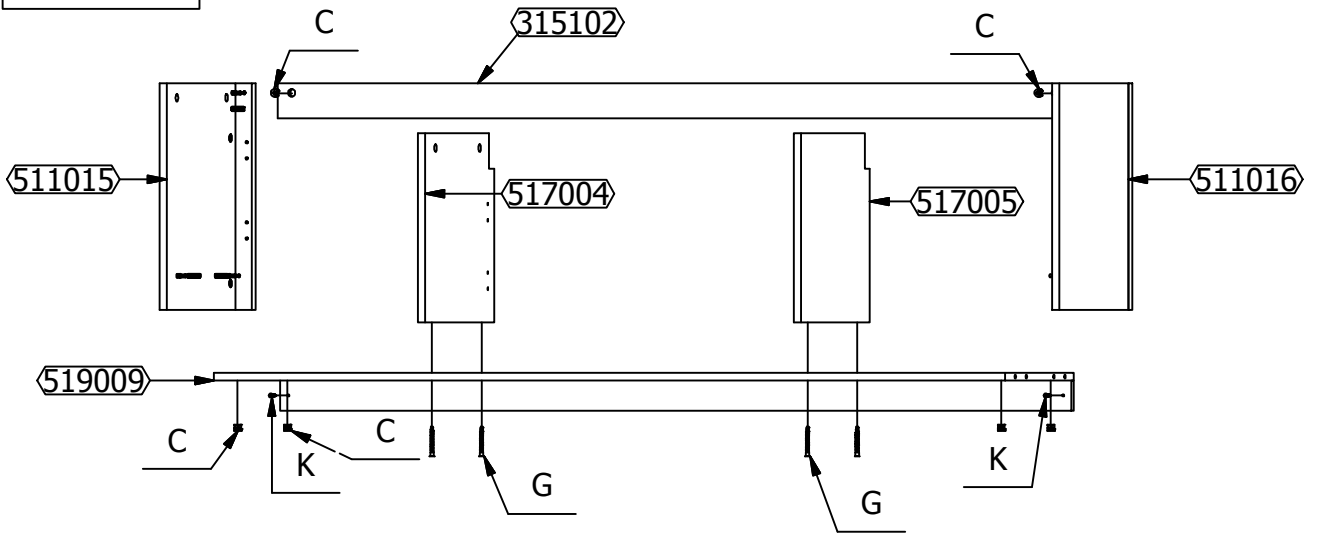
2



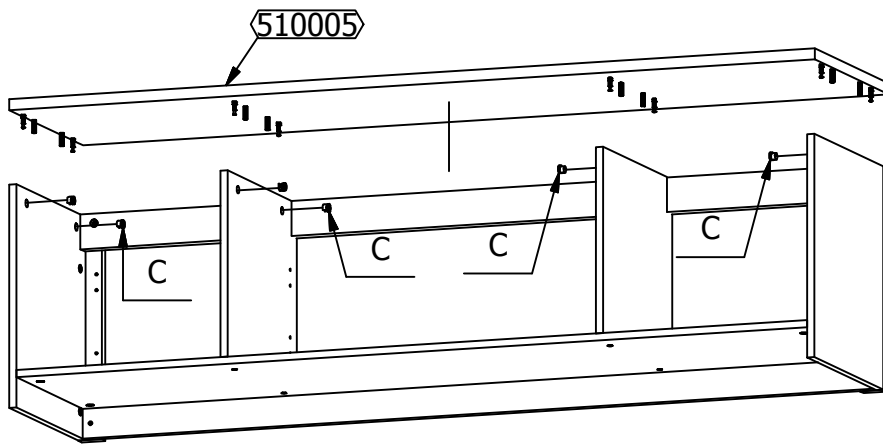
3



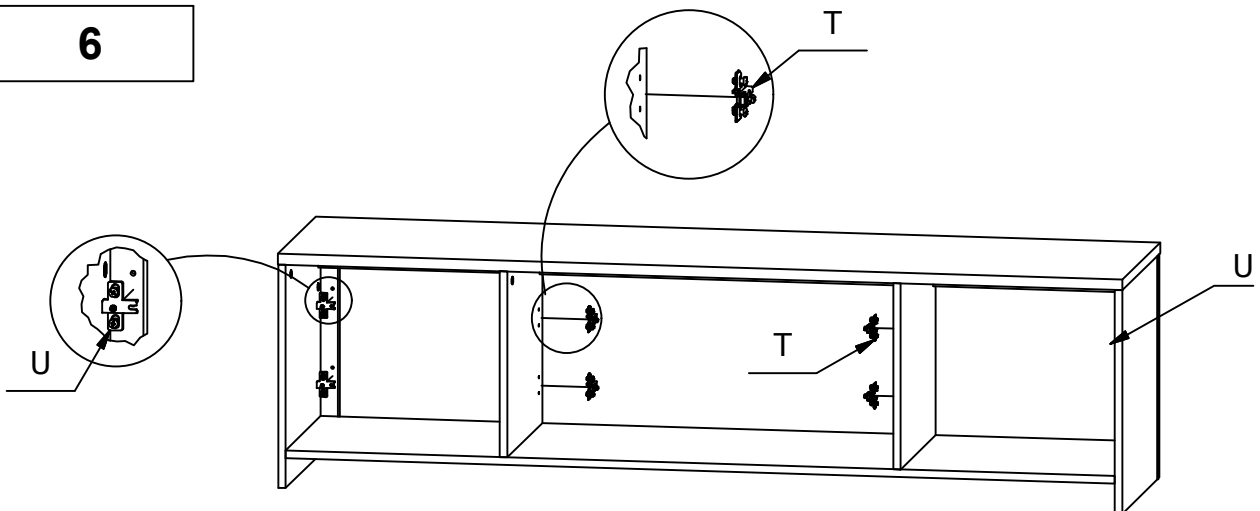
4



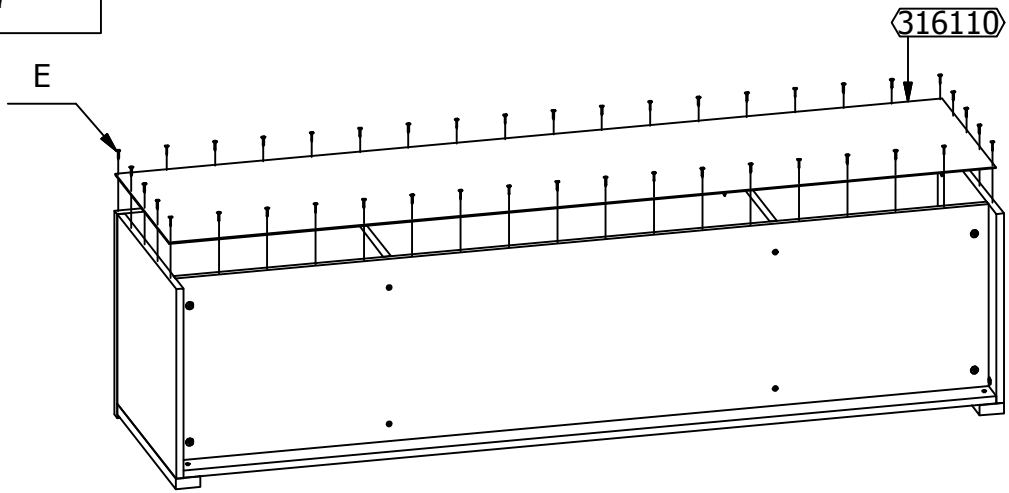
5



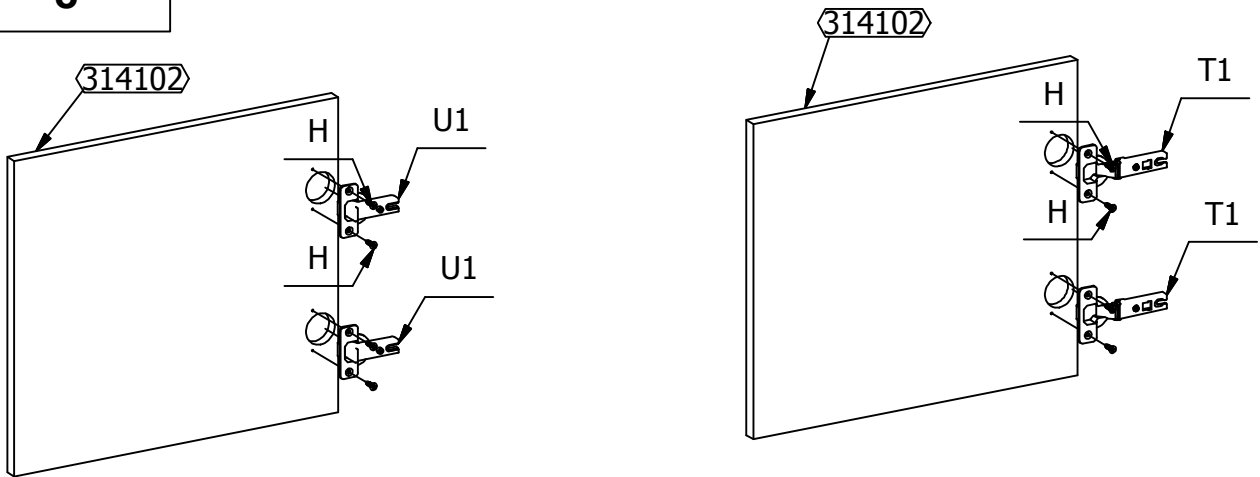
6



7



8



9

