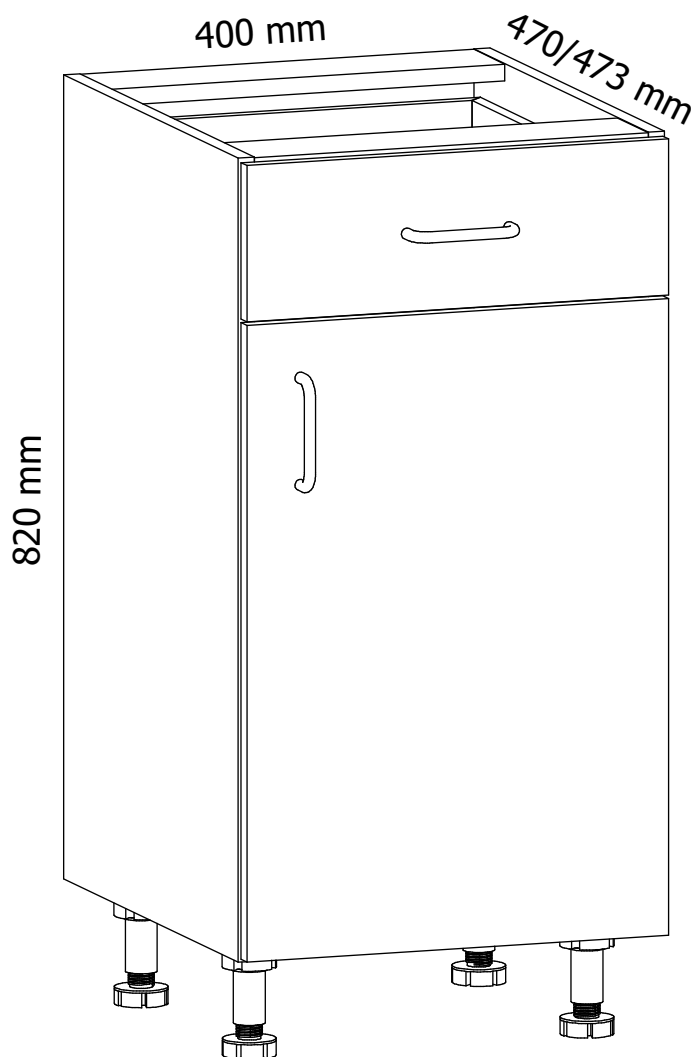


D40S1



PL: INSTRUKCJA MONTAŻU

EN: ASSEMBLY MANUAL

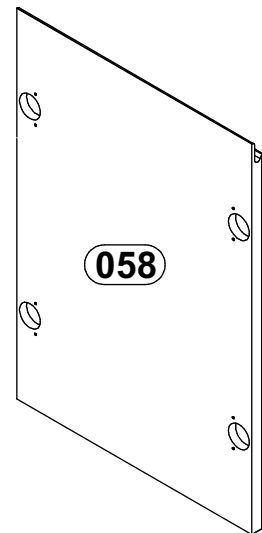
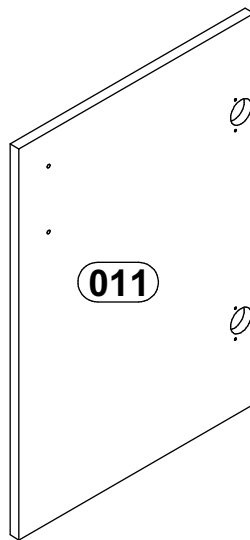
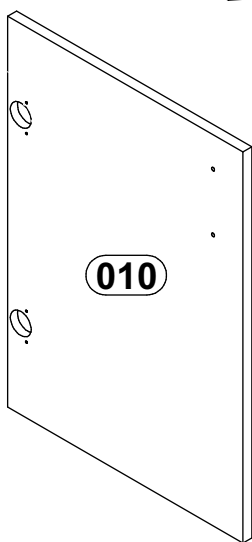
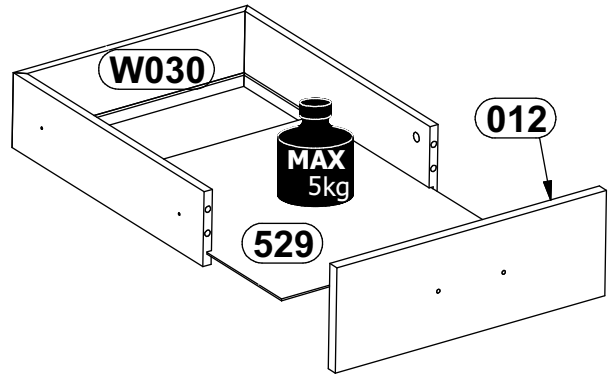
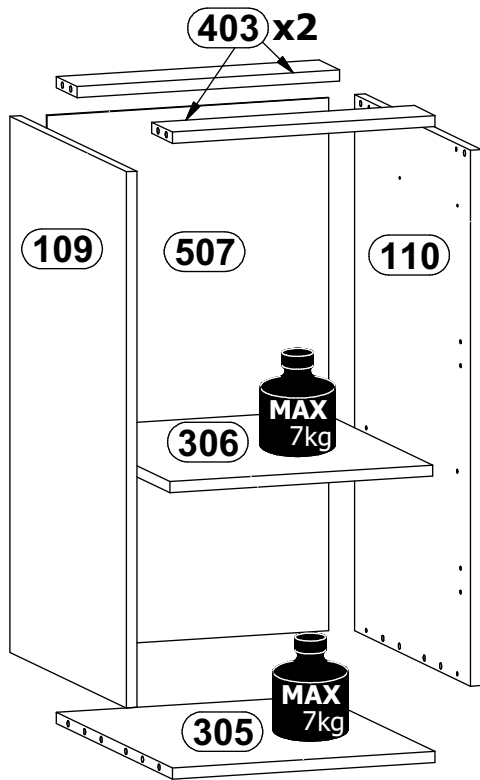
CZ: PŘÍRUČKA PRO MONTÁŽ

SK: PRÍRUČKA PRE MONTÁŽ

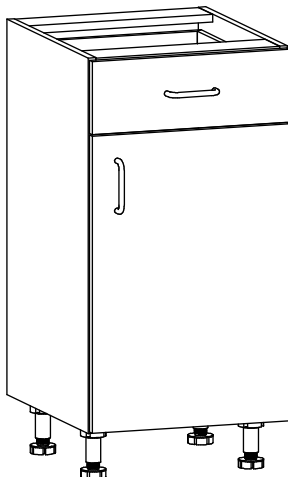
DE: MONTAGEANLEITUNG

SR: UPUTSTVO ZA INSTALACIJU

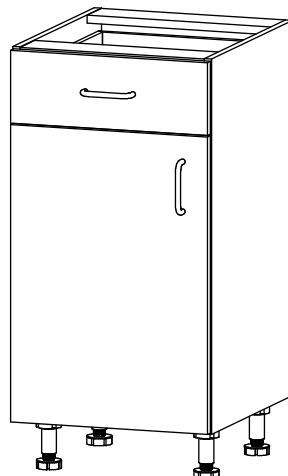
NL: MONTAGE-INSTRUCTIES



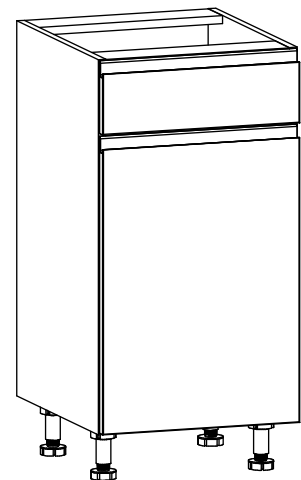
**D40S1(P) /
S40/1SZ**

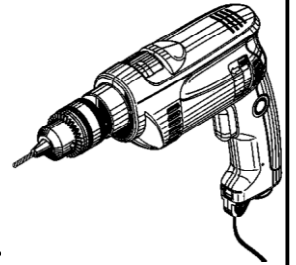
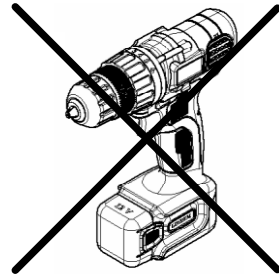
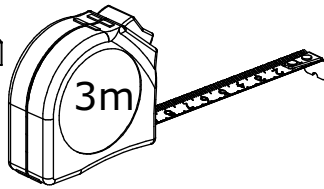
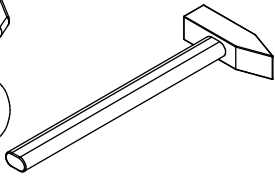
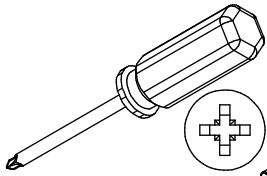


D40S1(L)

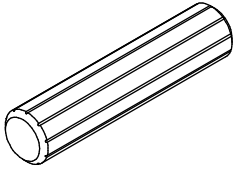


S40/1SZ



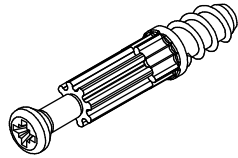


A1 x14



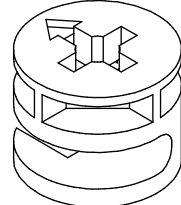
Ø8x35mm

B1 x10



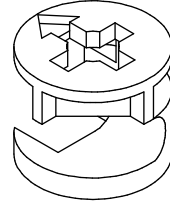
Ø5x38mm

C1 x8



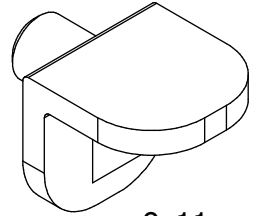
Ø15x12mm

C2 x2



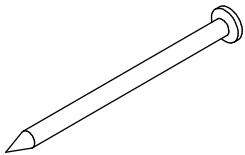
Ø12x10mm

E4 x4



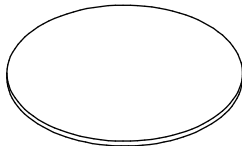
9x11mm

G1 x22



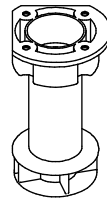
26mm

J x 2



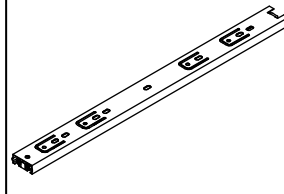
Ø21mm

L1 x4



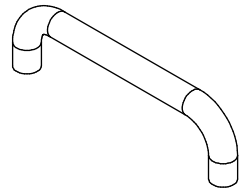
Ø50x95mm

Pc x2

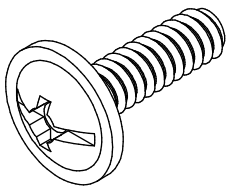


400mm

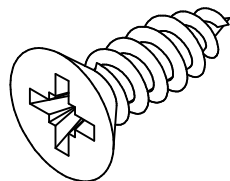
U x2



X x4

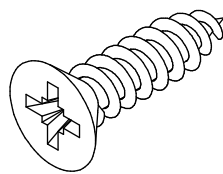


W1 x6



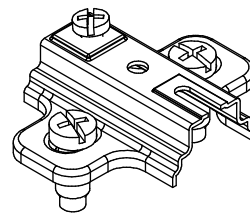
Ø3,5x13mm

W2 x24

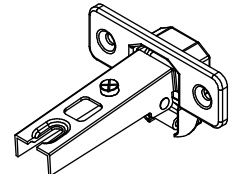


Ø3,5x16mm

Zc1 x2

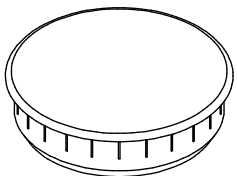


Zc2 x2



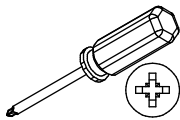
S40/1SZ

J16 x2

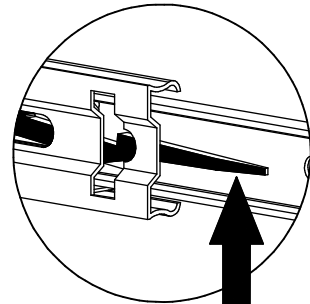
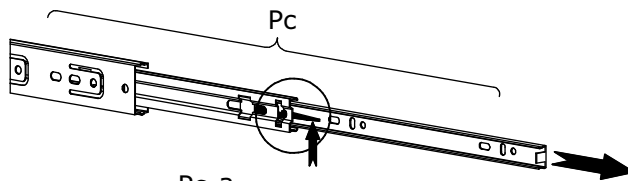


n 35mm

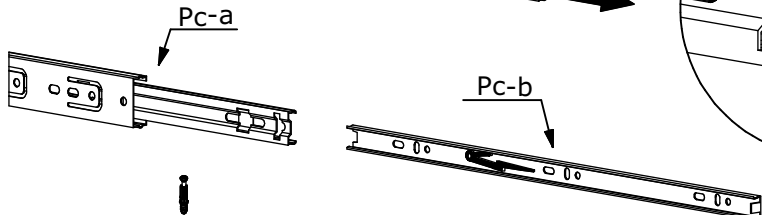
1



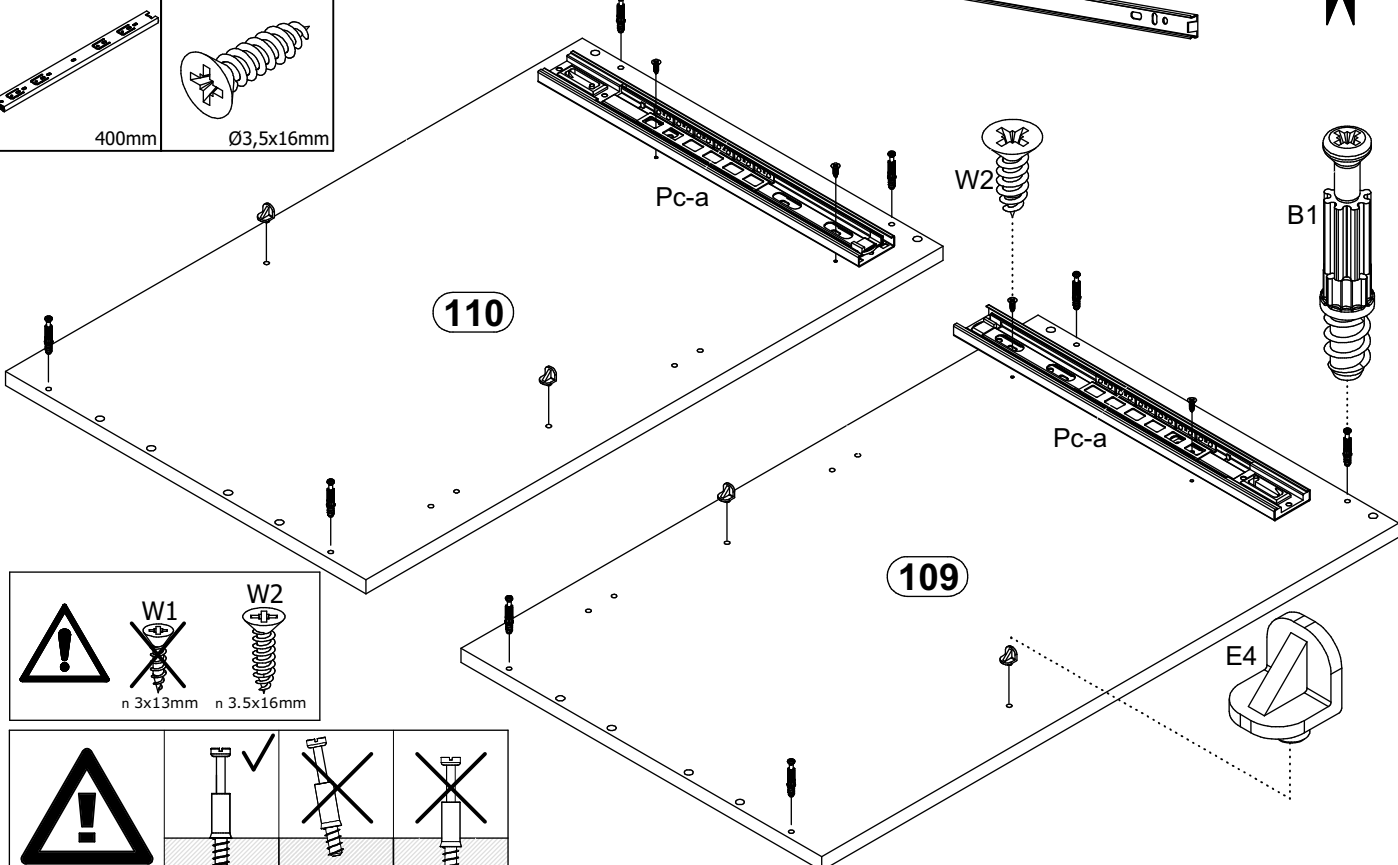
I



II



B1 x 8 Ø5x38mm	E4 x 4 9x11mm
Pc x 2 400mm	W2 x 4 Ø3,5x16mm

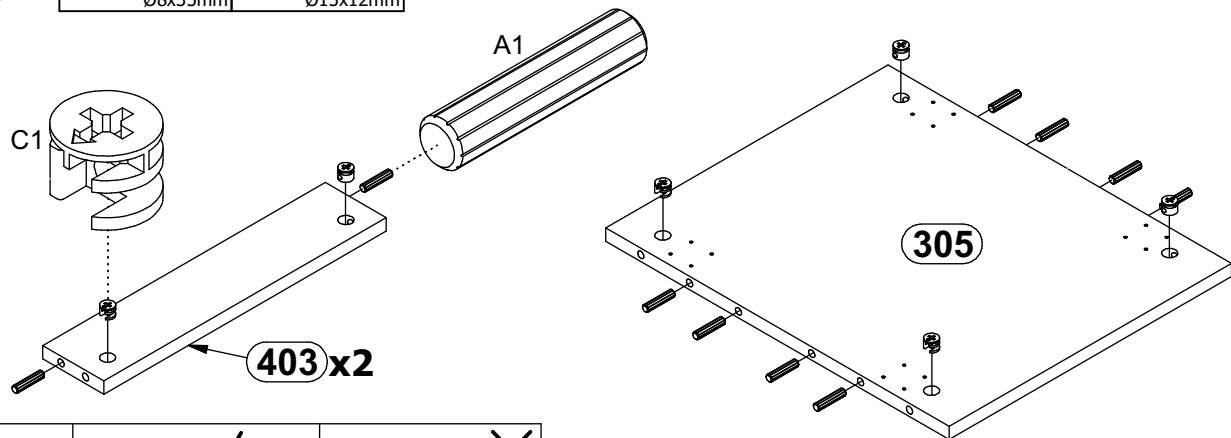


	 n 3x13mm	 n 3.5x16mm
--	--------------	----------------

--	--	--	--

2

A1 x 12 Ø8x35mm	C1 x 8 Ø15x12mm
-------------------------------	-------------------------------

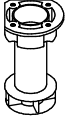


--	--	--

--	--	--

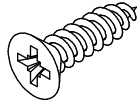
3

L1 x 4

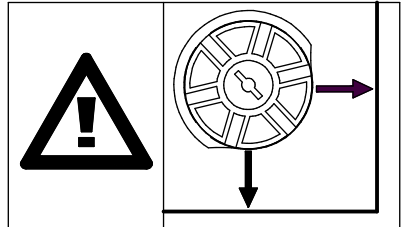
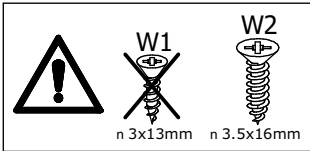
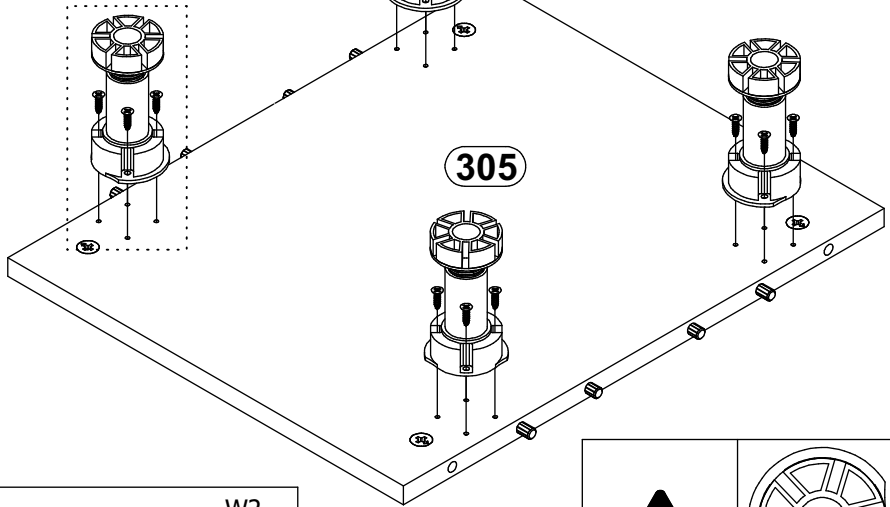
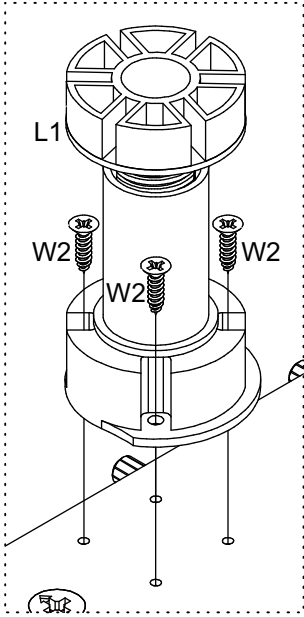
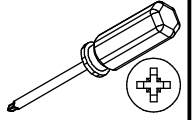


Ø50x95mm

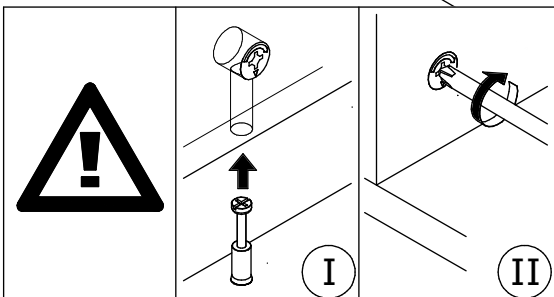
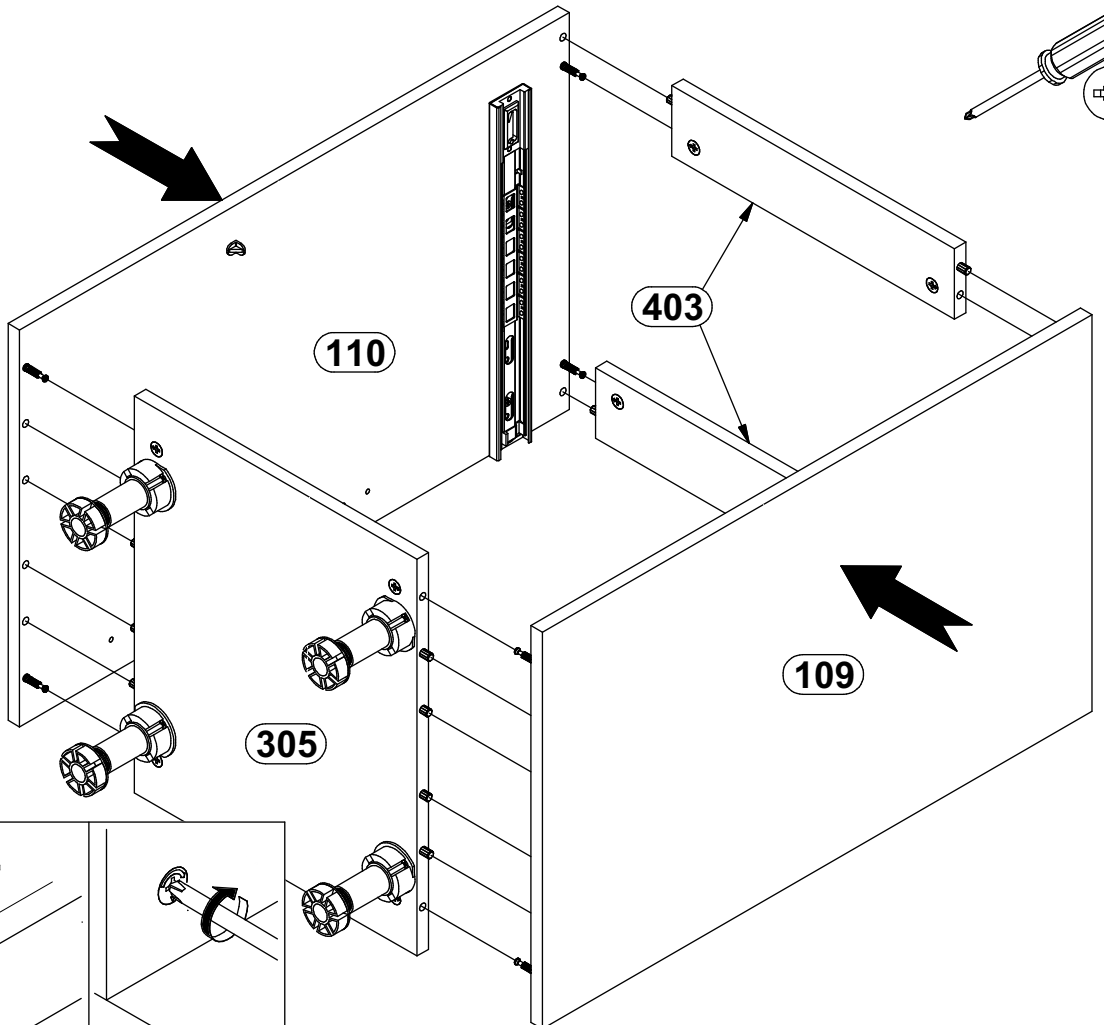
W2 x 16



Ø3,5x16mm

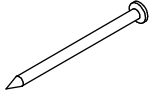


4

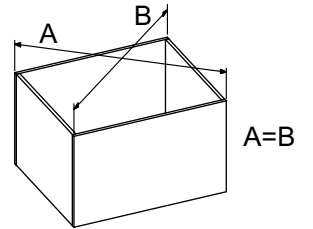
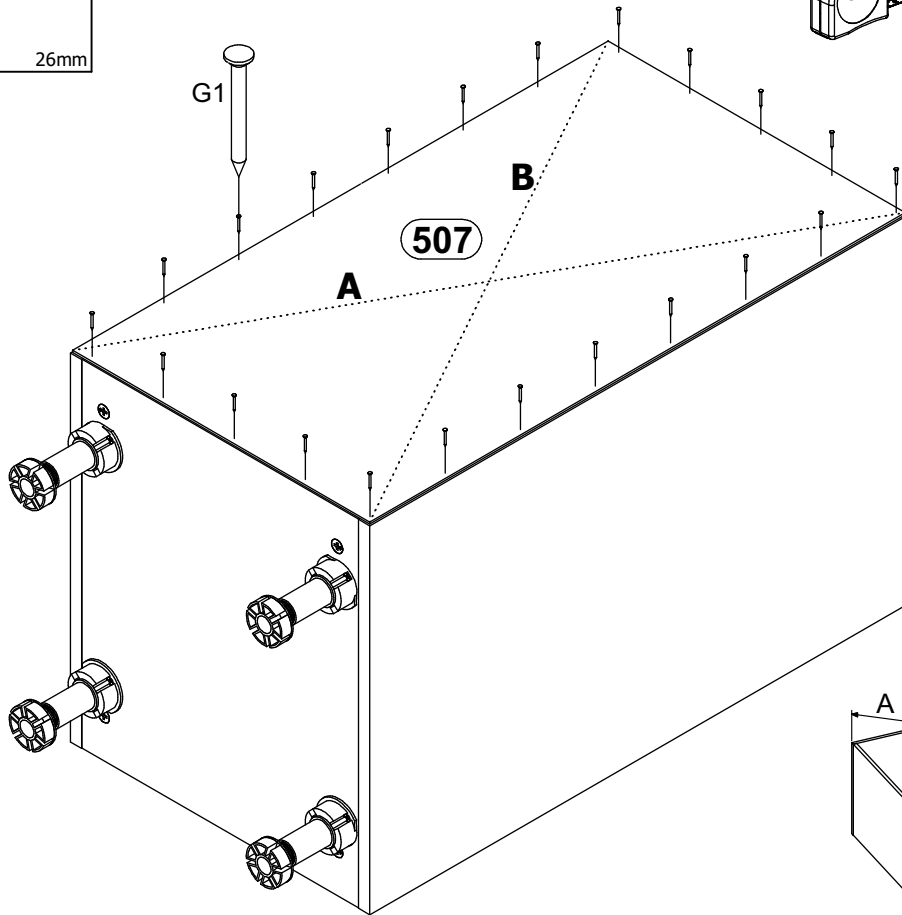
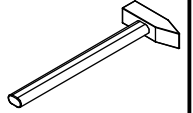
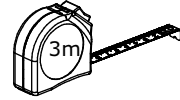


5

G1x22



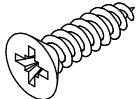
26mm



A=B ≡ 90°

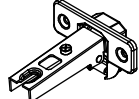
6a

W2x4



Ø3,5x16mm

Zc2x2

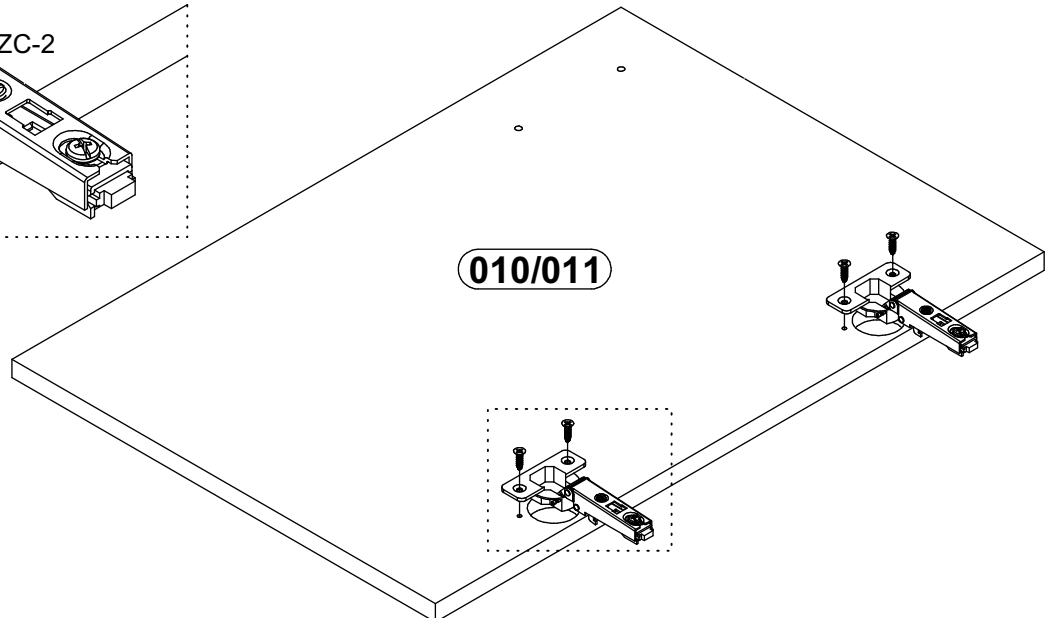
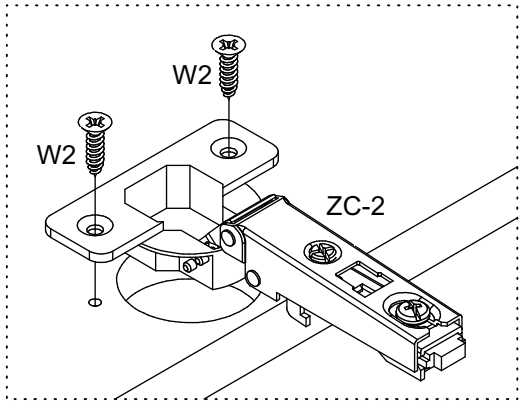
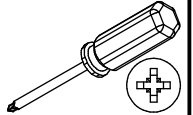


n 3x13mm

W2

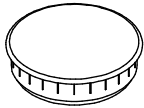


n 3.5x16mm



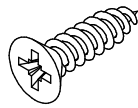
6b

J16x2



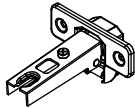
n 35mm

W2x4

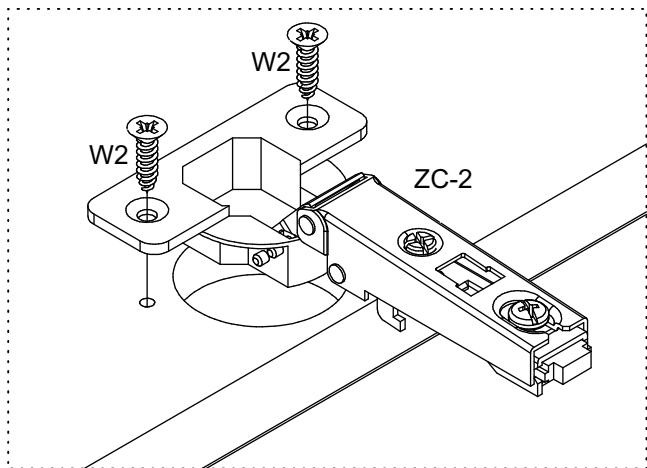
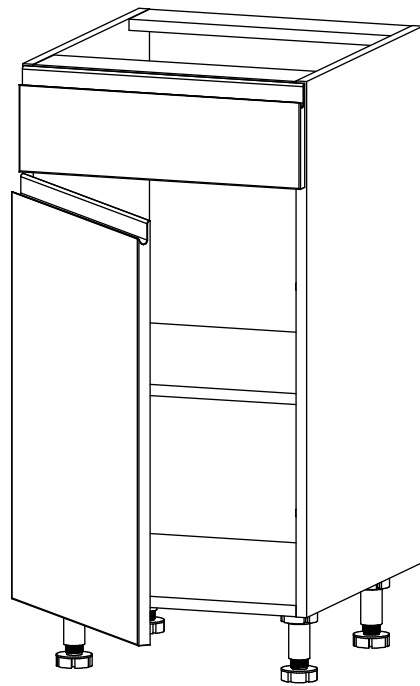
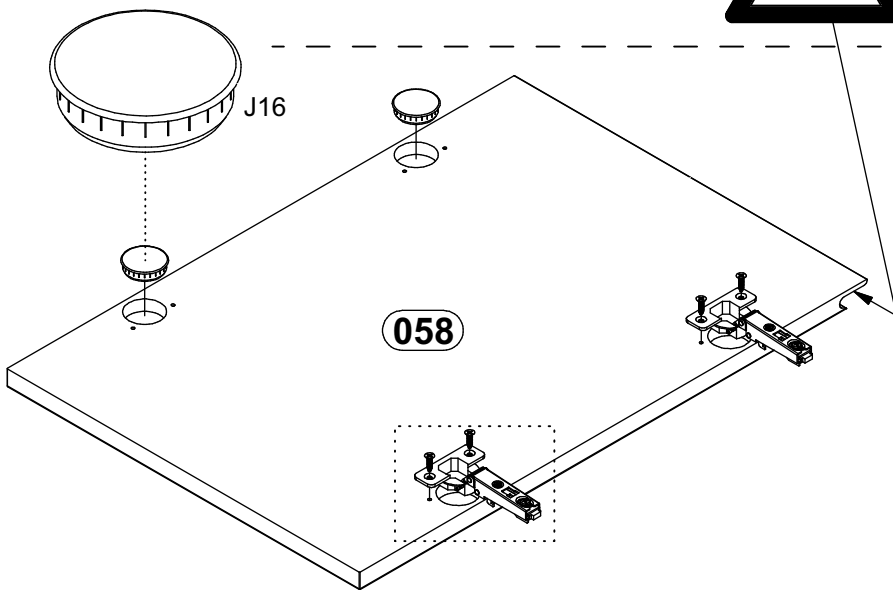
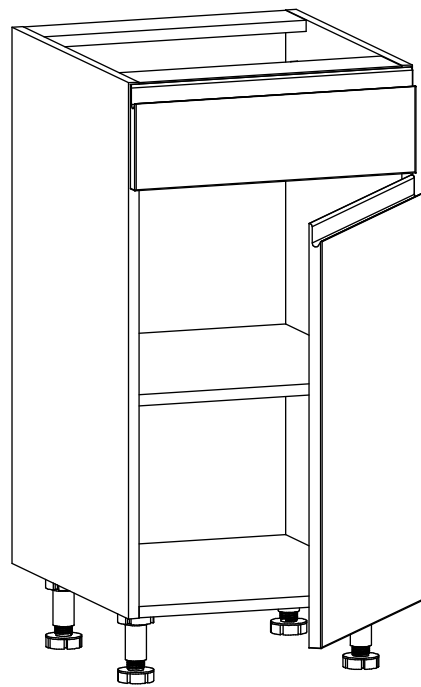
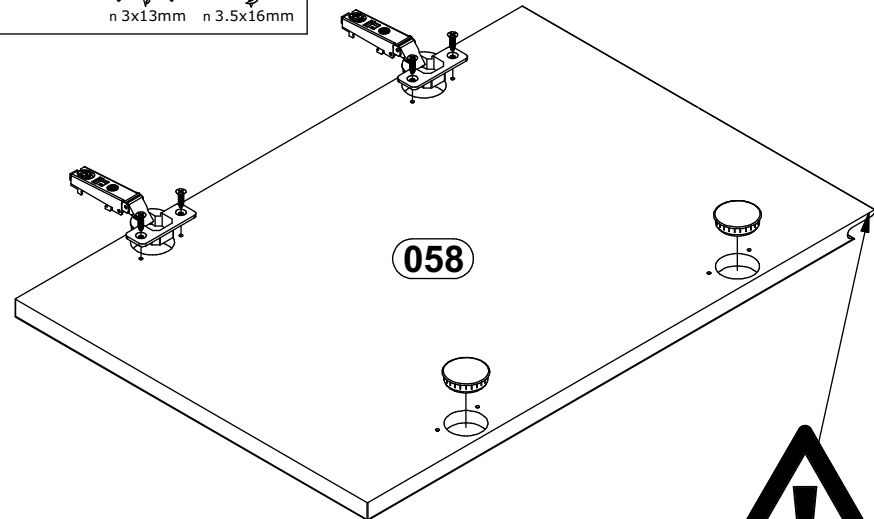
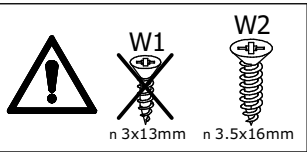
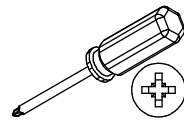


Ø3,5x16mm

Zc2x2

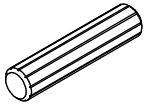


S40/1SZ



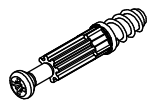
7

A1 x 2



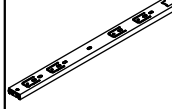
Ø8x35mm

B1 x 2



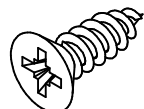
Ø5x38mm

PC-b x 2

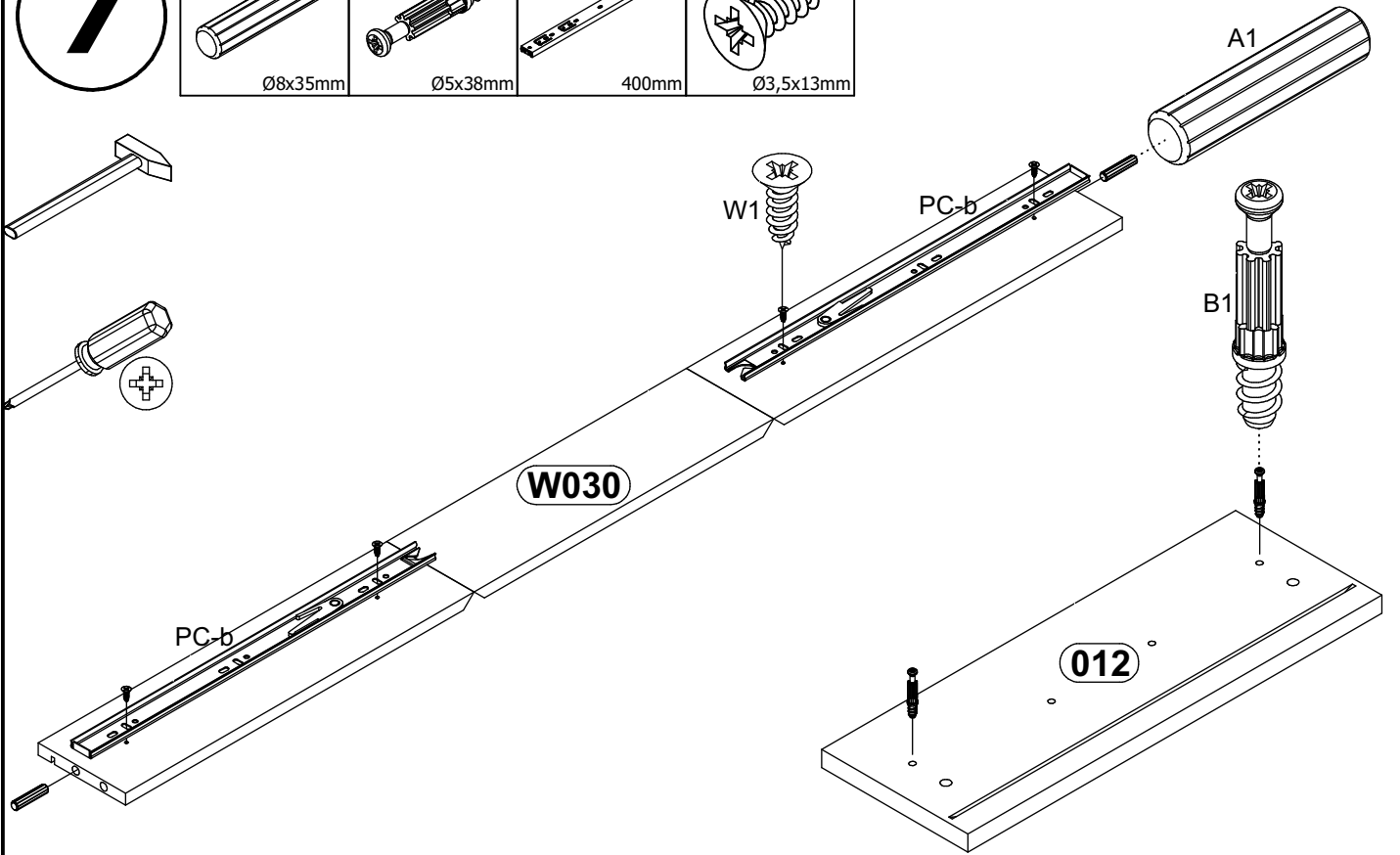
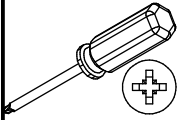
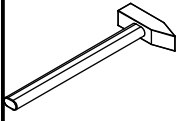


400mm

W1 x 4

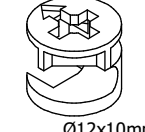


Ø3,5x13mm

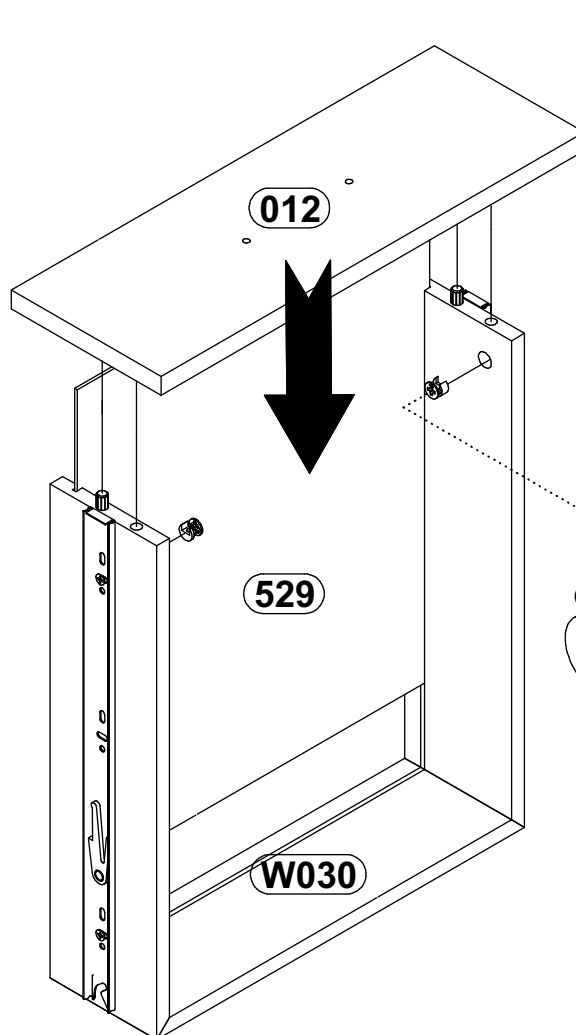
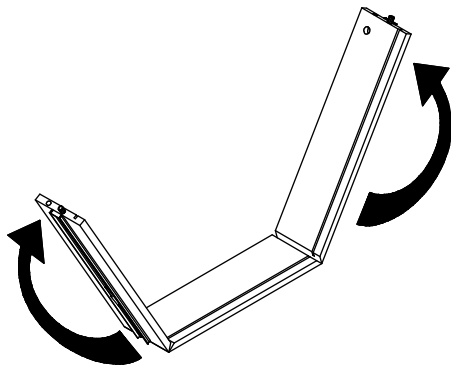


8

C2 x 2

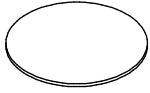


Ø12x10mm



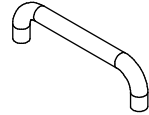
9

J x 2

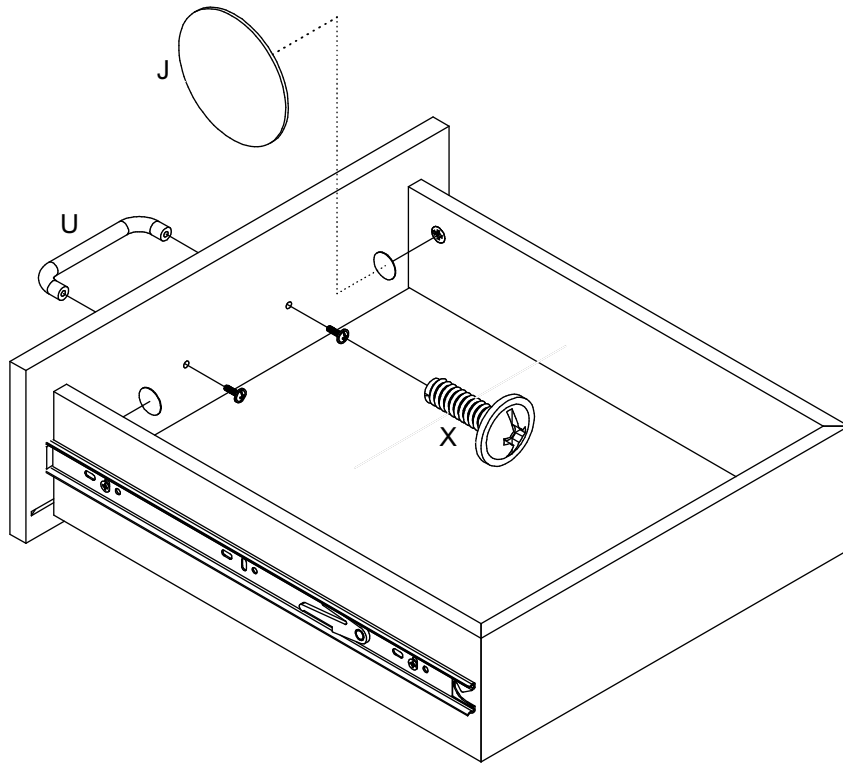
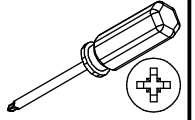
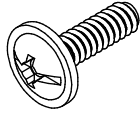


Ø21mm

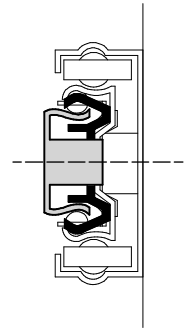
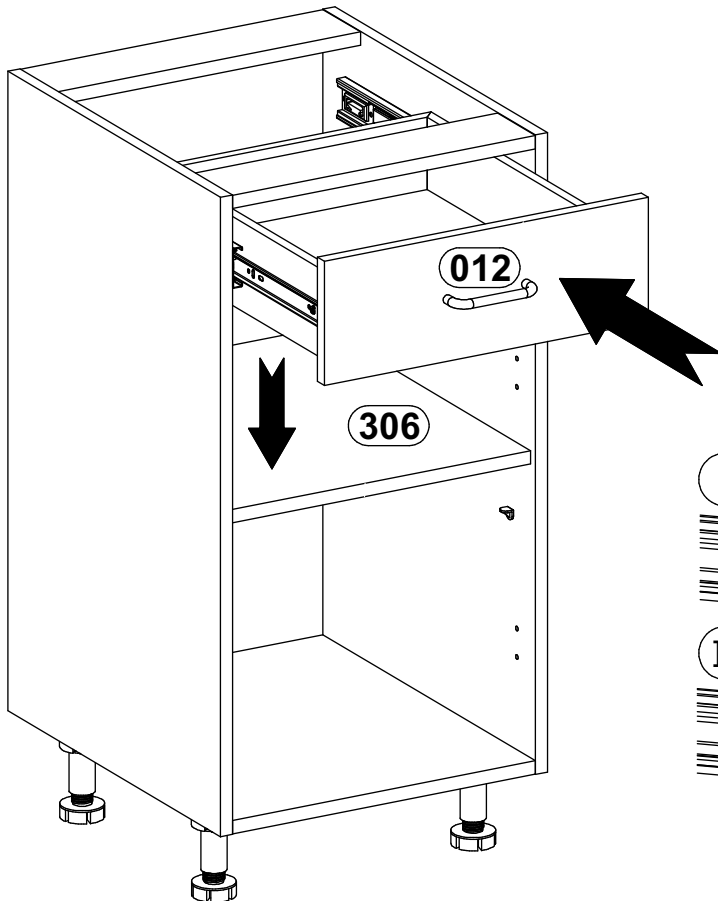
U x 1



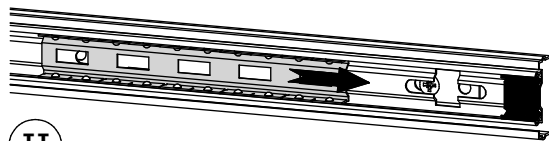
X x 2



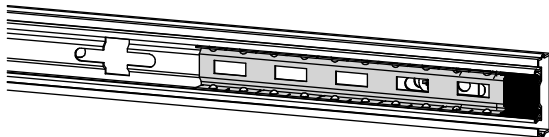
10



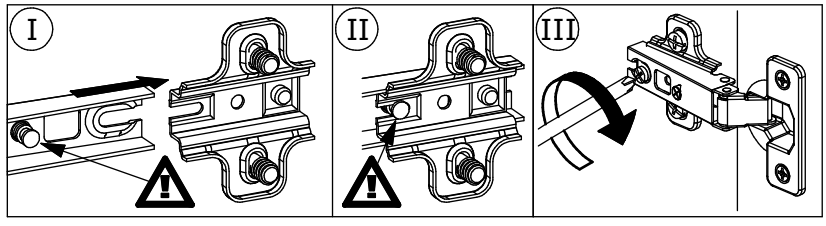
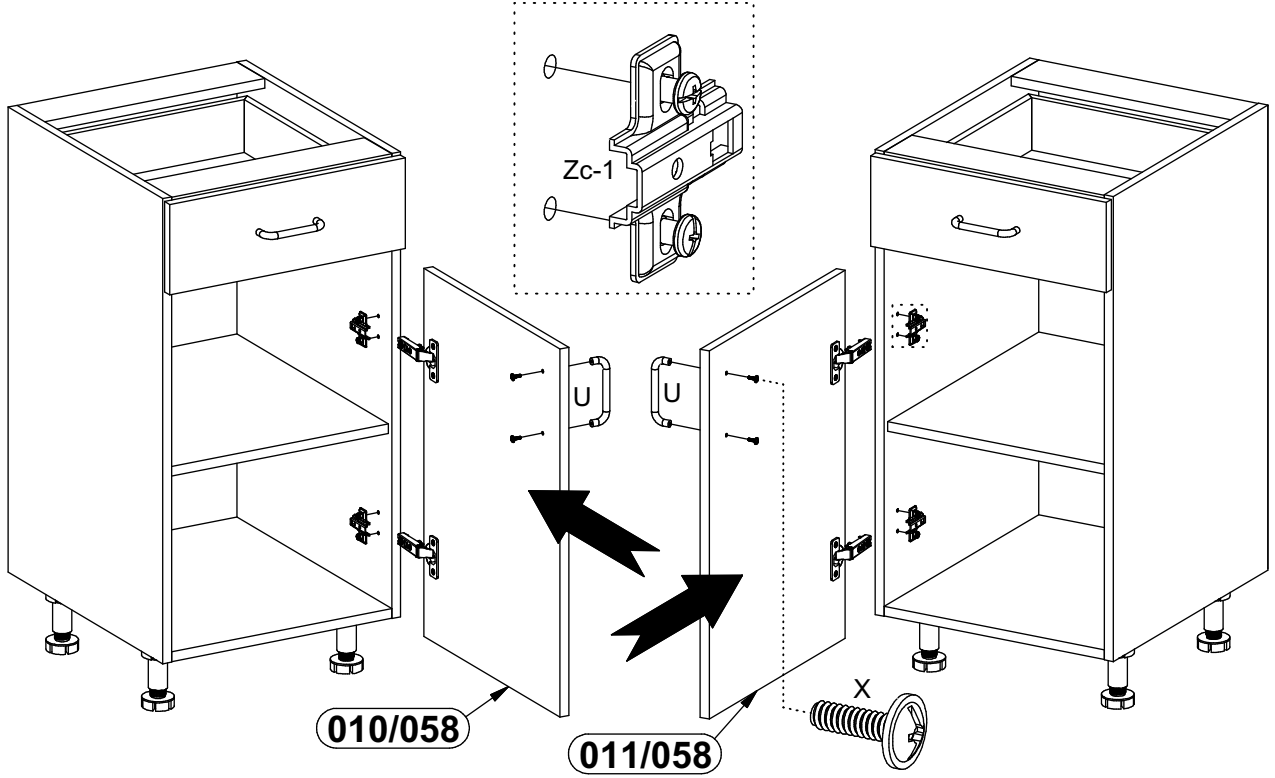
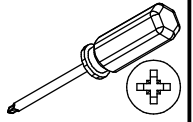
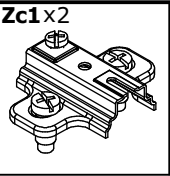
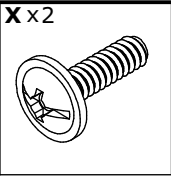
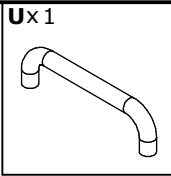
I



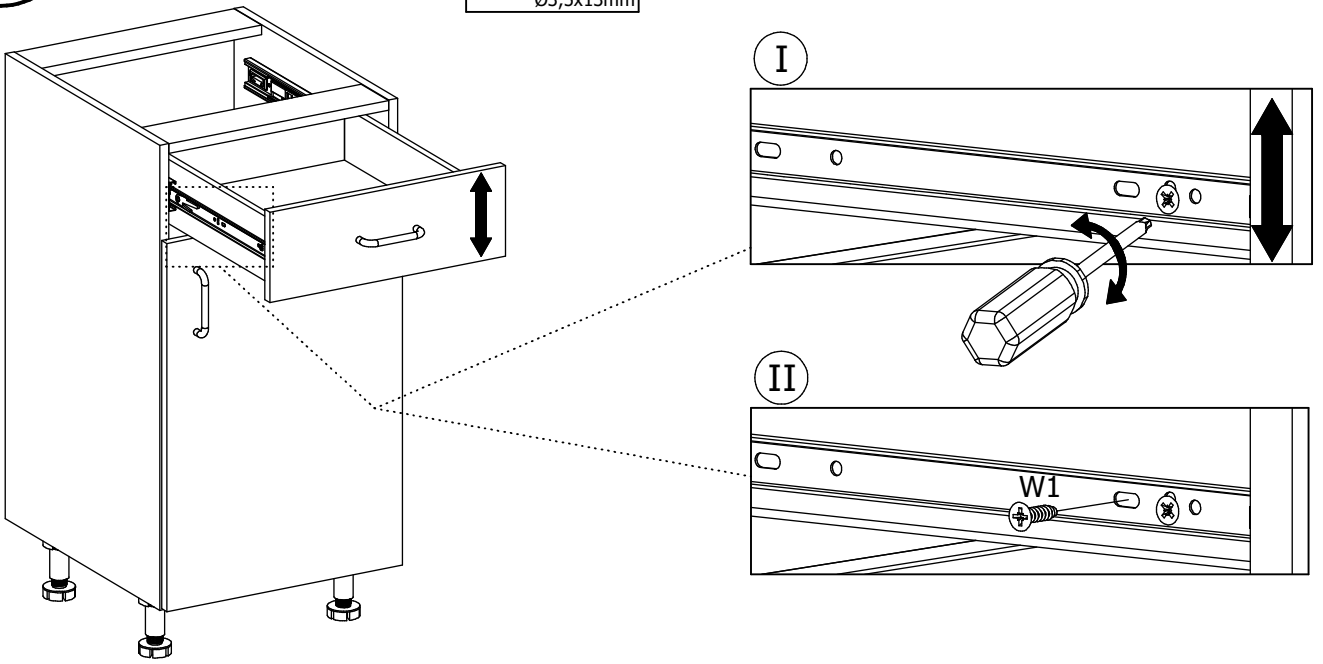
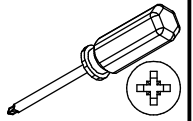
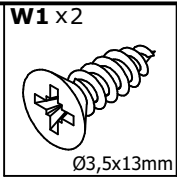
II

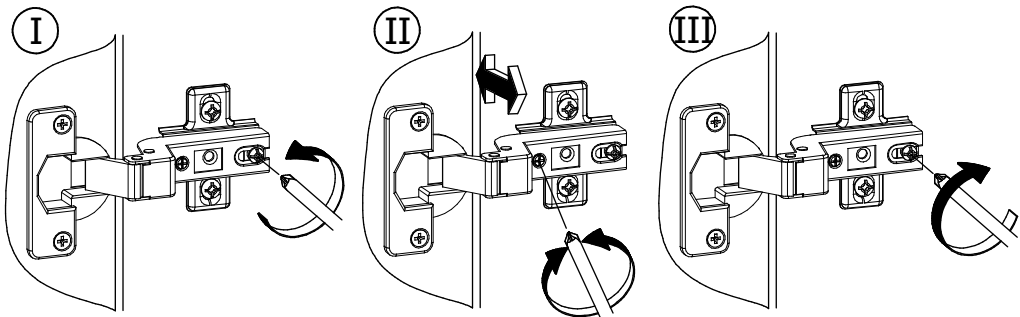
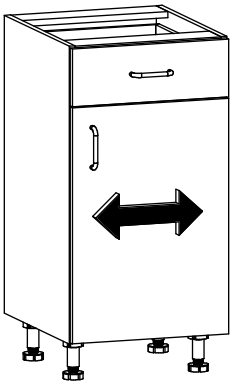
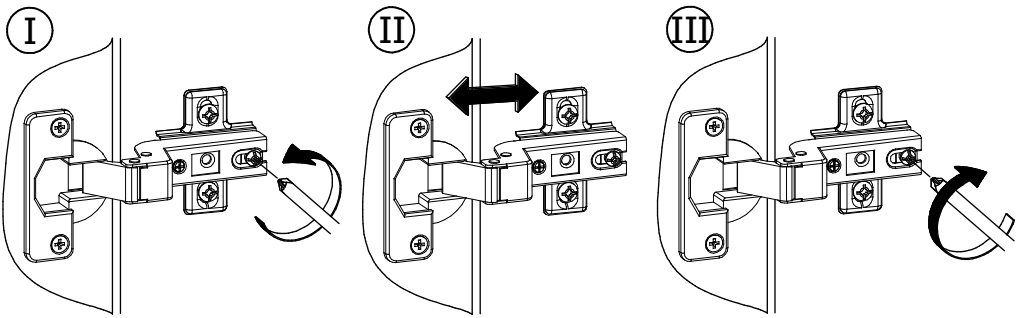
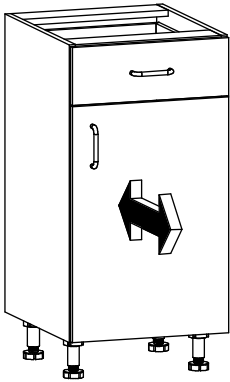
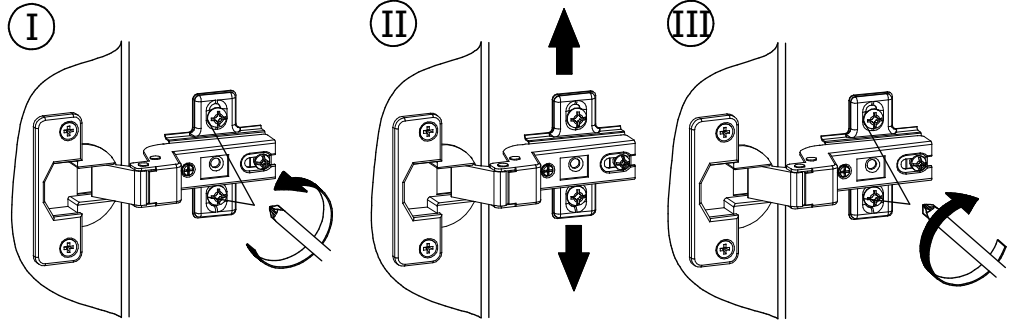
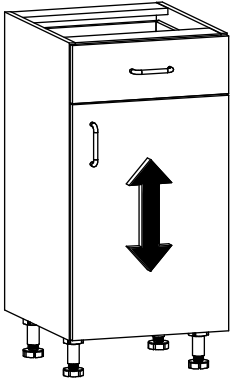
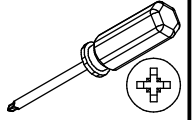


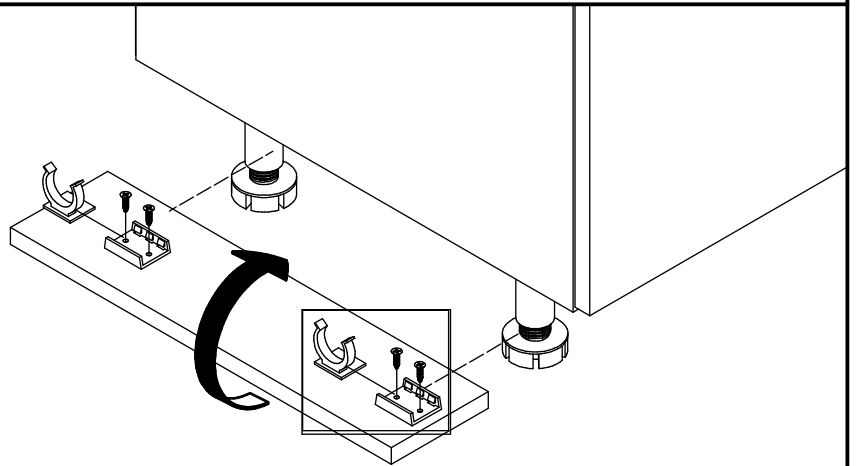
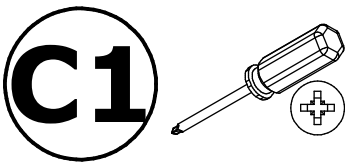
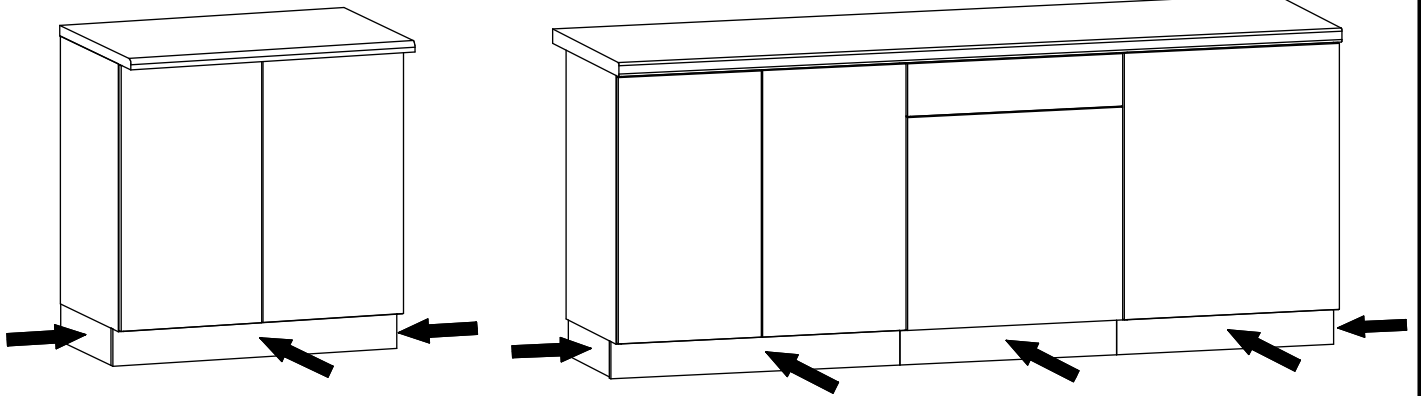
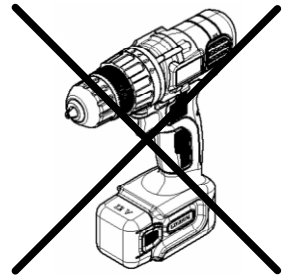
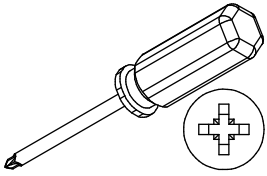
11



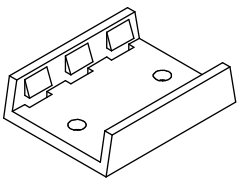
12





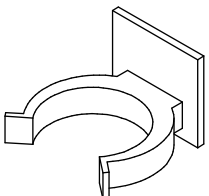


L6-a x4



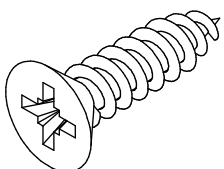
38x30x10mm

L6-b x4

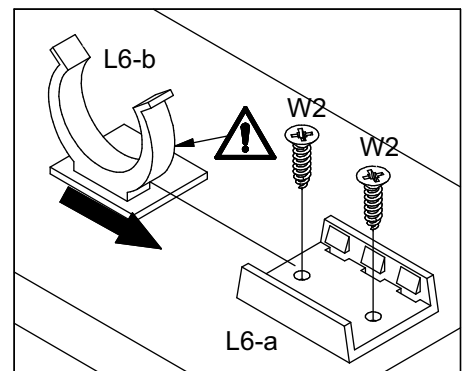


35x32x25mm

W2 x8

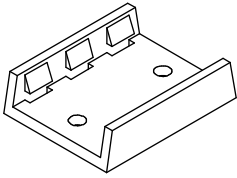


Ø3,5x16mm



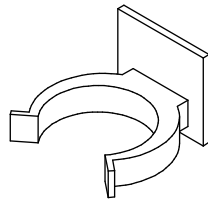
C2

L6-a×2



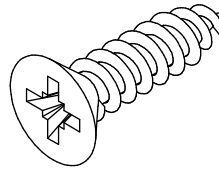
38x30x10mm

L6-b×2



35x32x25mm

W2×4



Ø3,5x16mm

