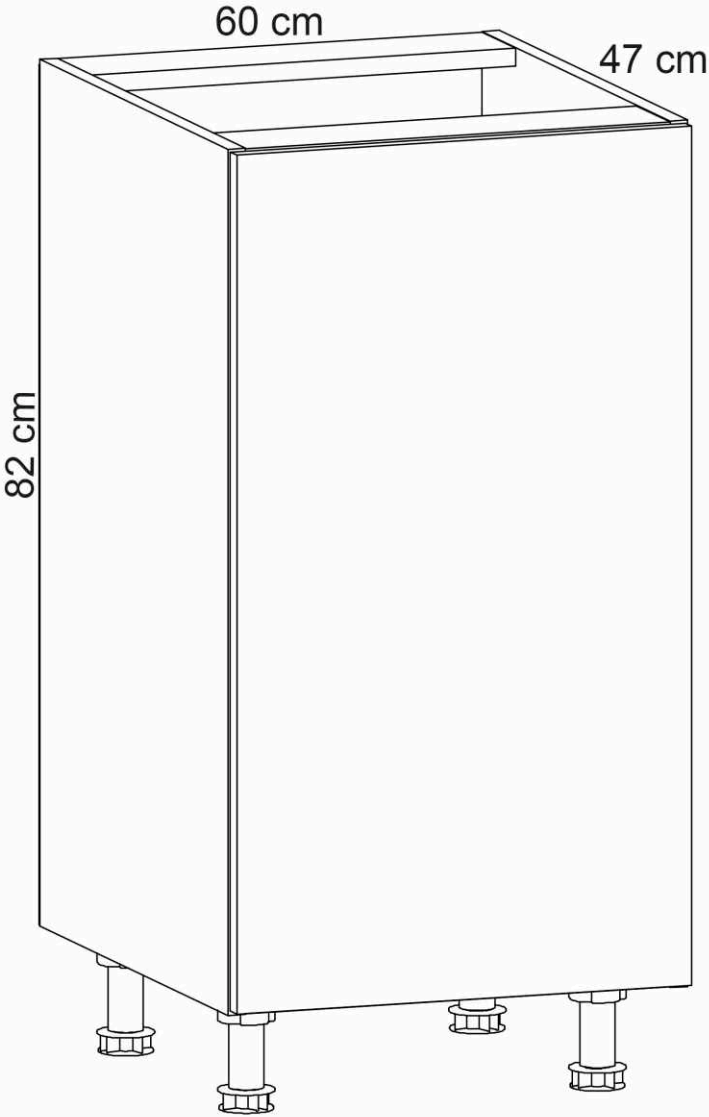
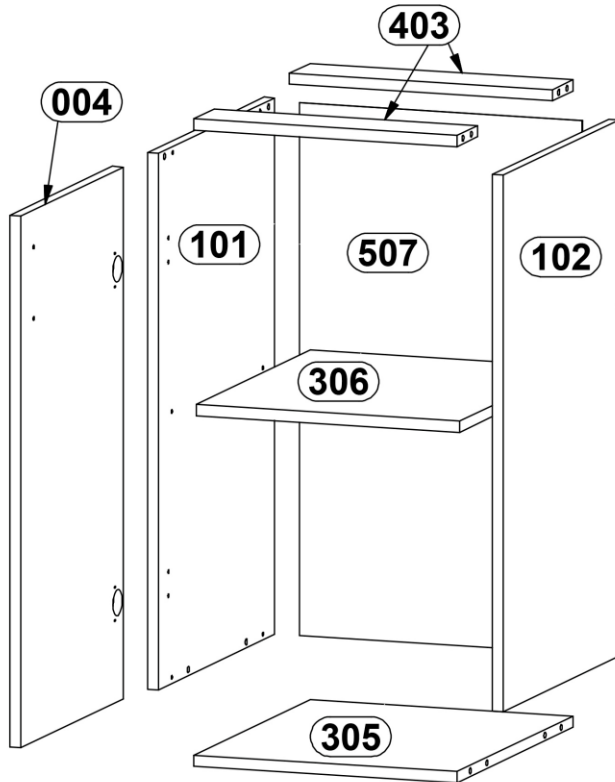
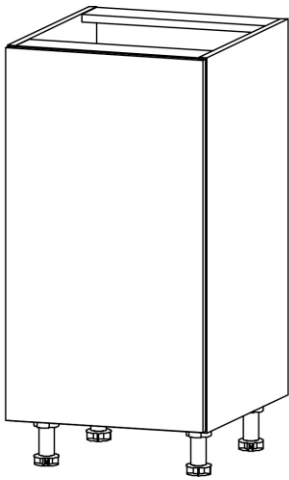
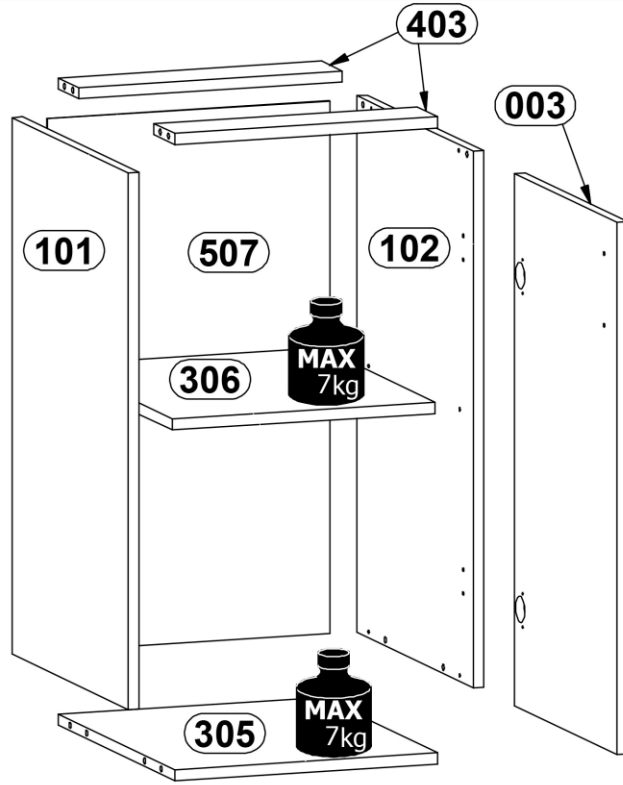
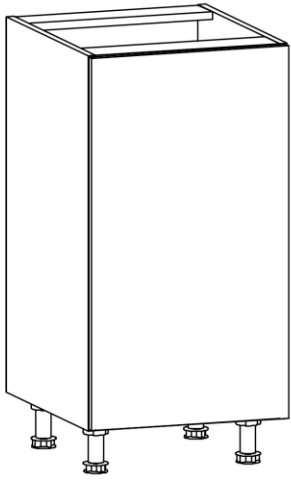
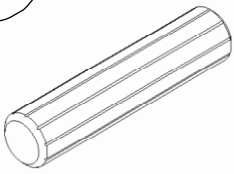
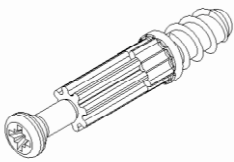
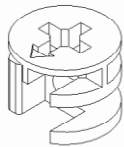
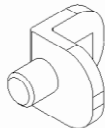
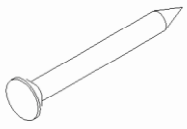
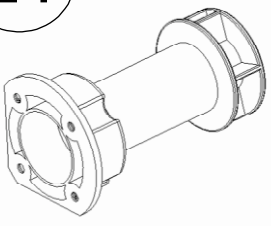


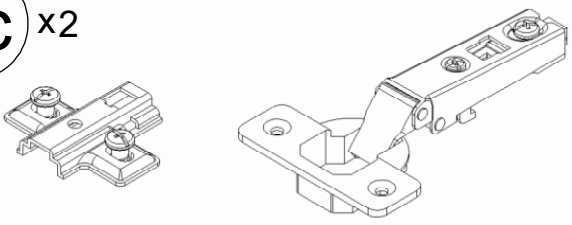


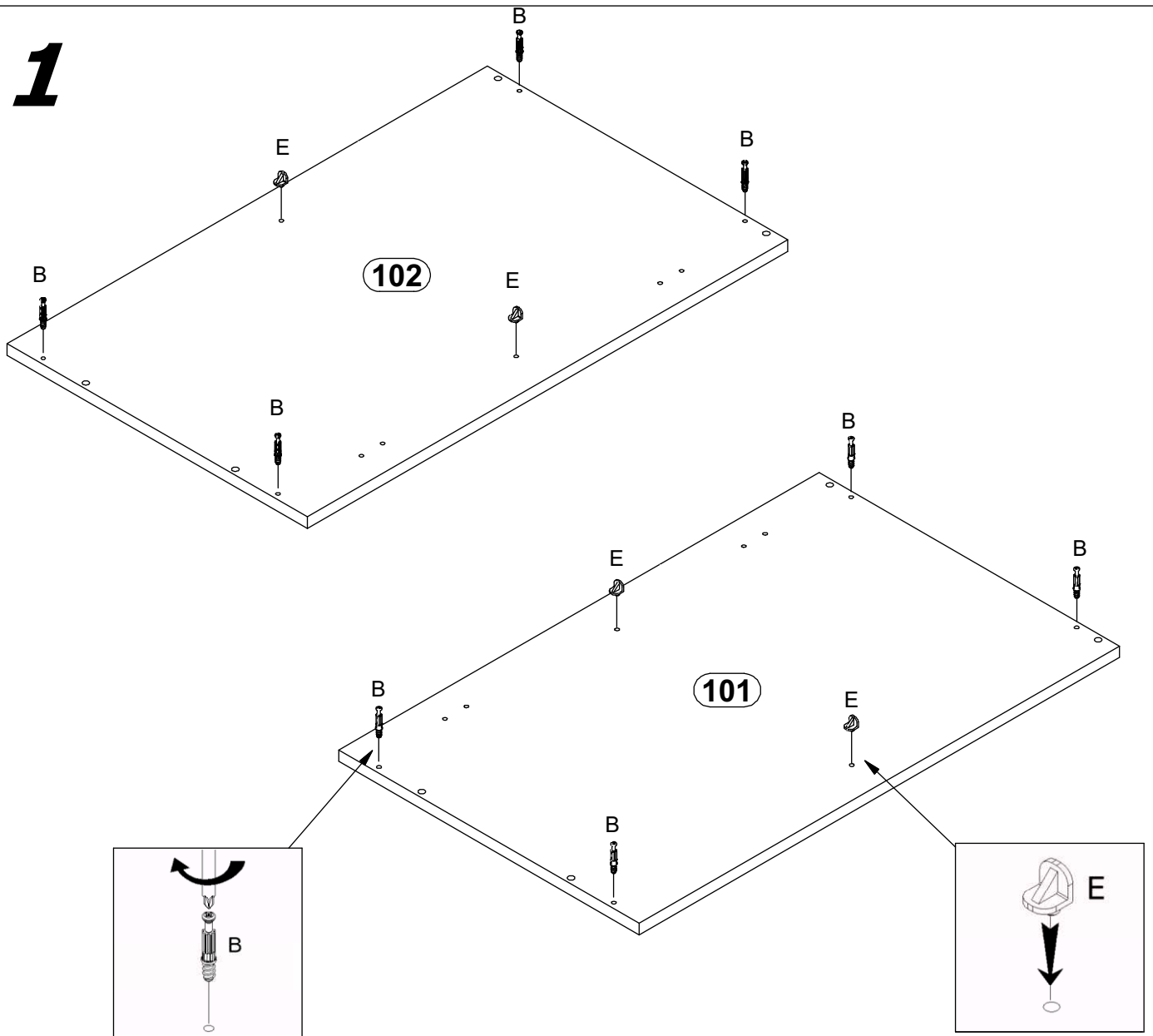
# AURORA D601F



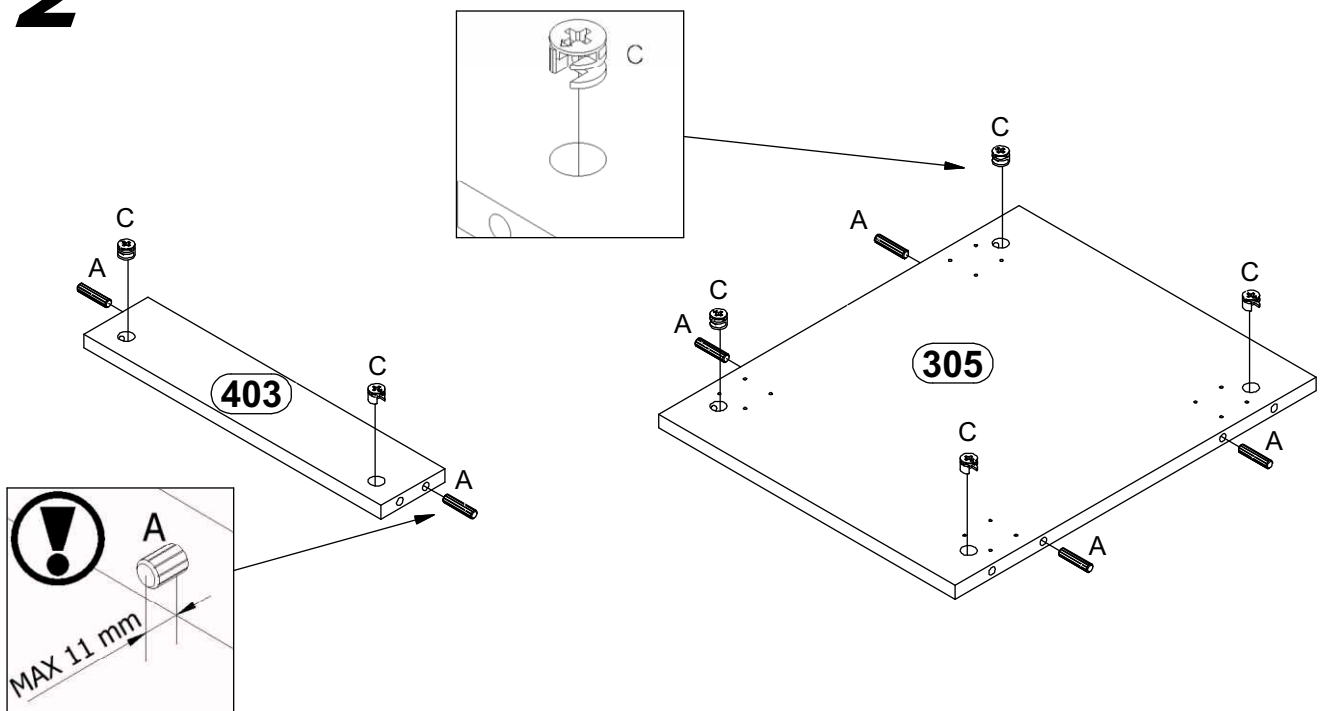


<p><b>A</b> x8</p>  <p>Ø8x35mm</p>	<p><b>B</b> x8</p> 	<p><b>C</b> x8</p>  <p>Ø15x12mm</p>	<p><b>E</b> x4</p> 
<p><b>G</b> x22</p> 	<p><b>L1</b> x4</p> 		<p><b>W2</b> x20</p>  <p>Ø3,5x16mm</p>
<p><b>Y</b> x8</p>  <p>Ø18 mm</p>	<p><b>Zc</b> x2</p>  <p>Zc-1                      Zc-2</p>		

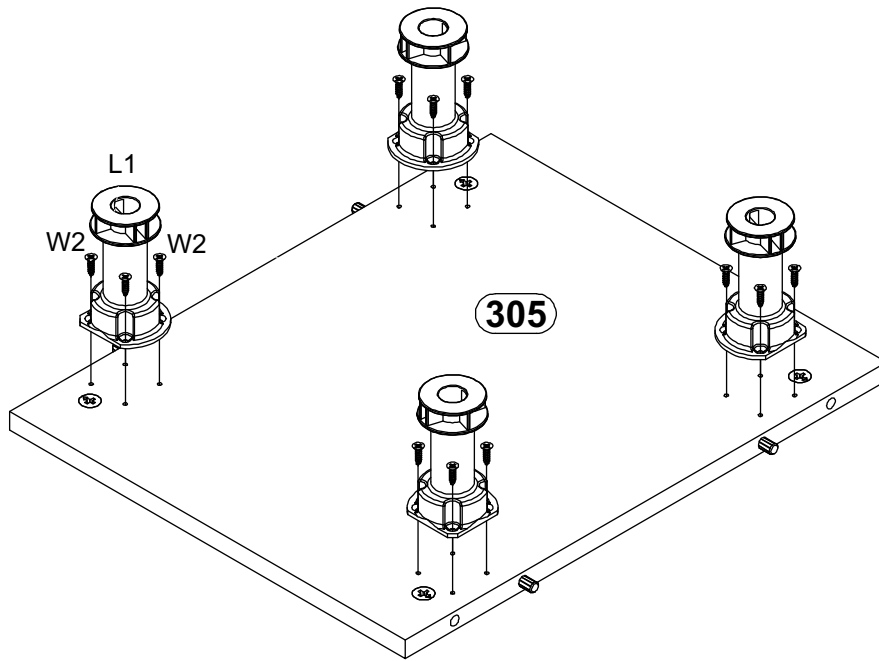
# 1



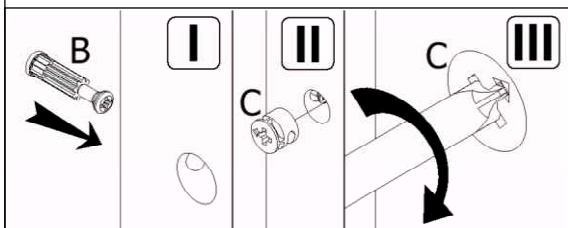
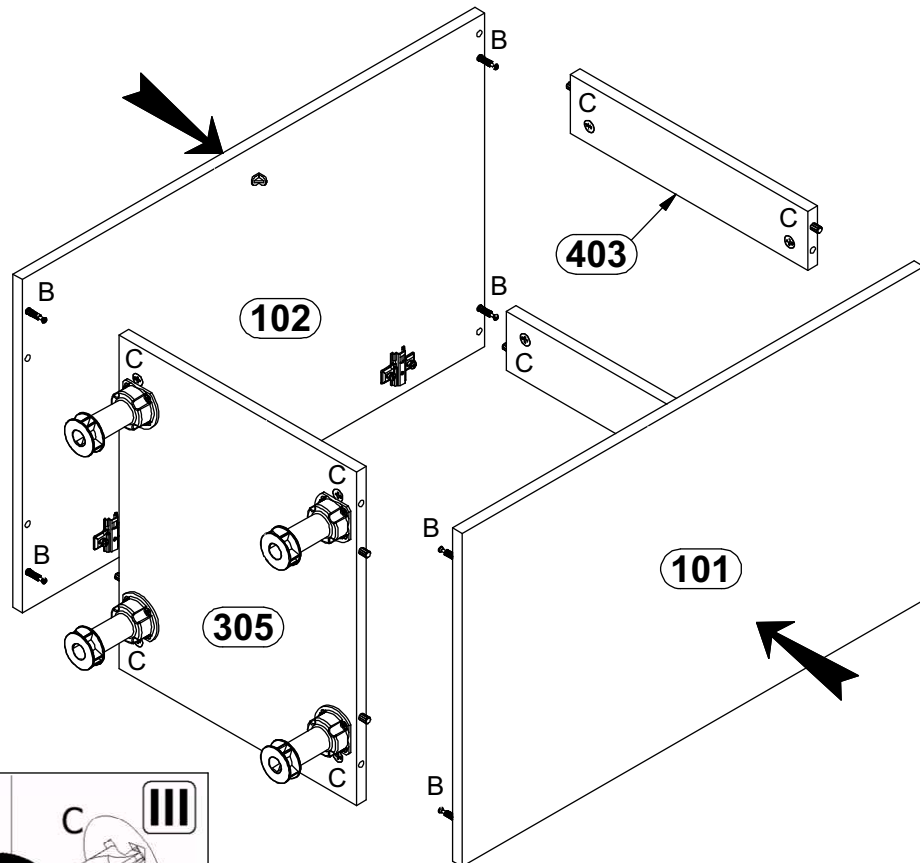
# 2



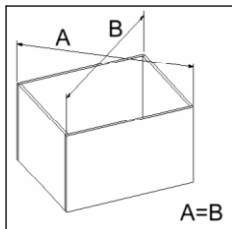
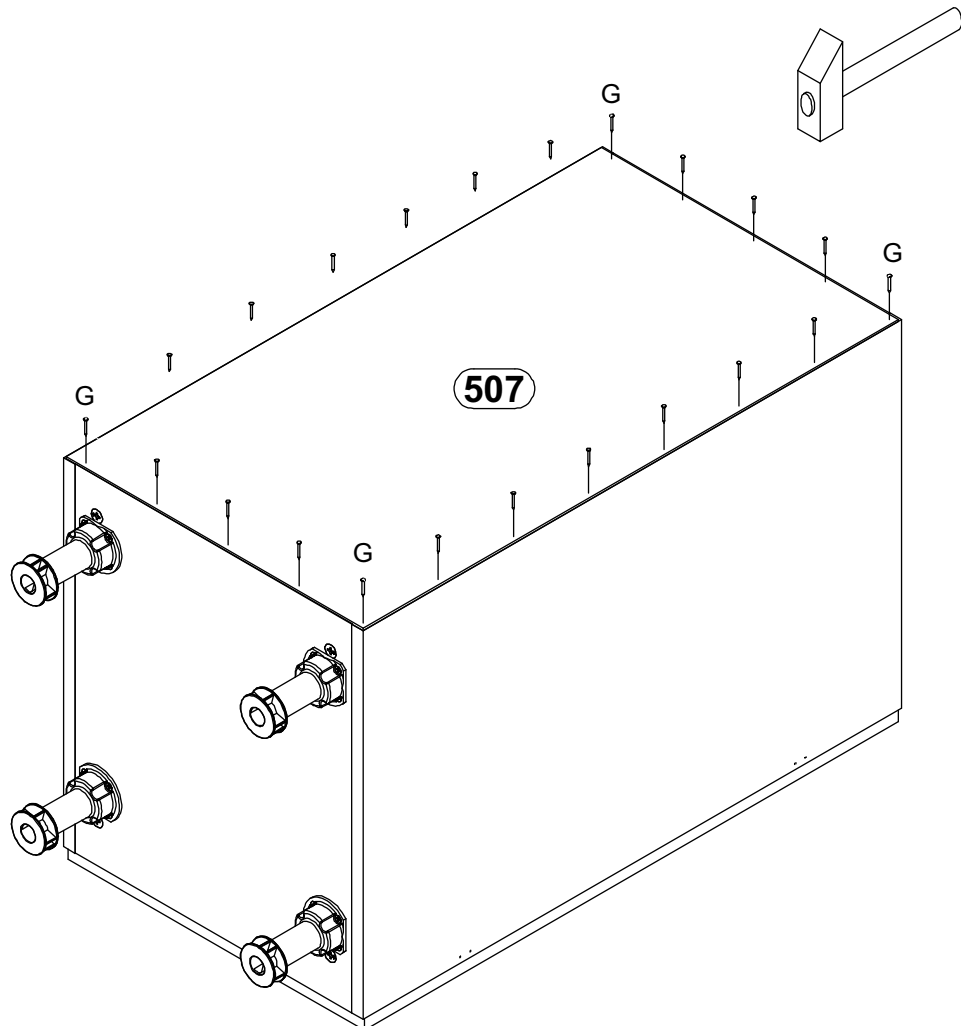
# 3



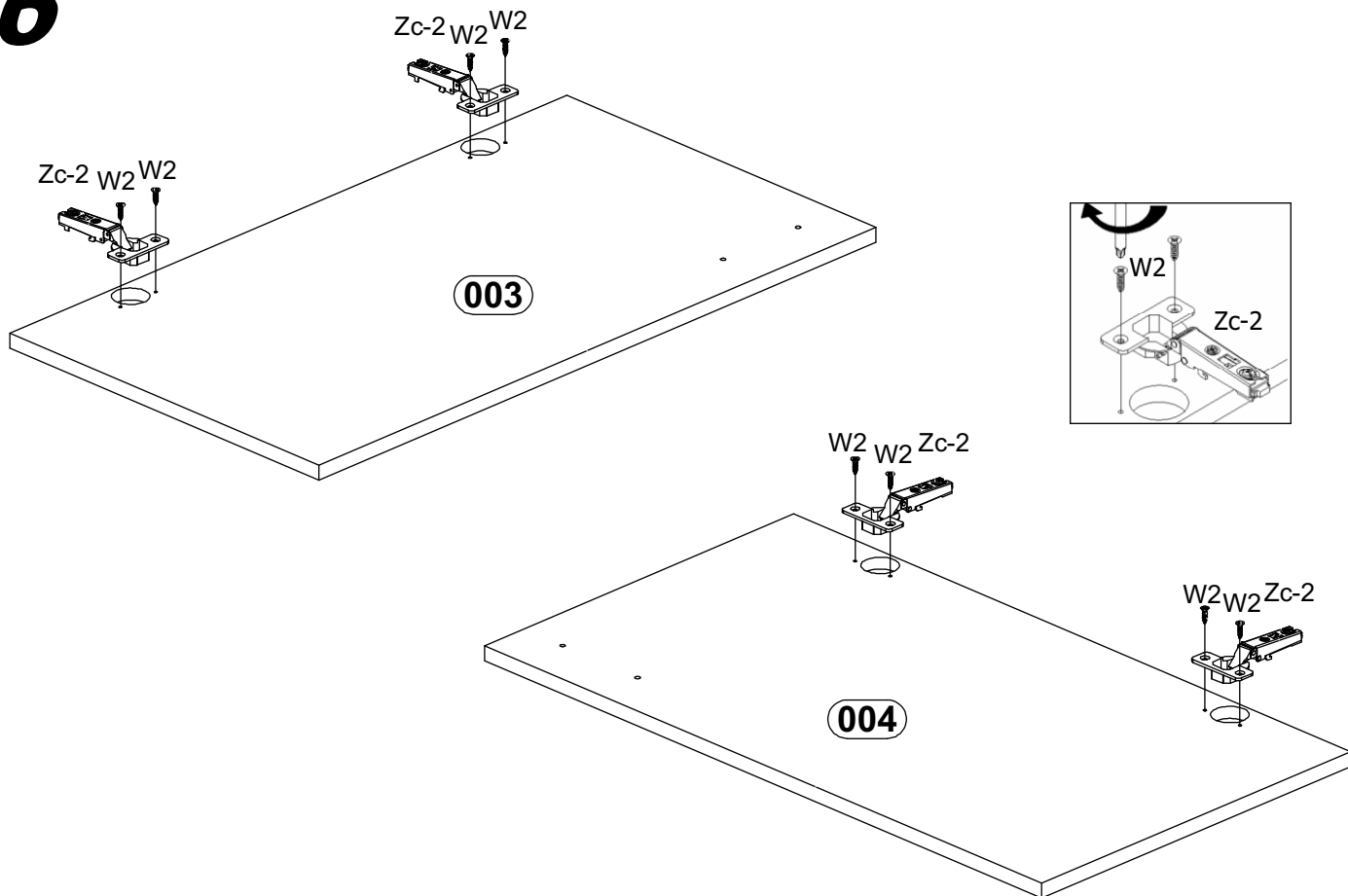
# 4



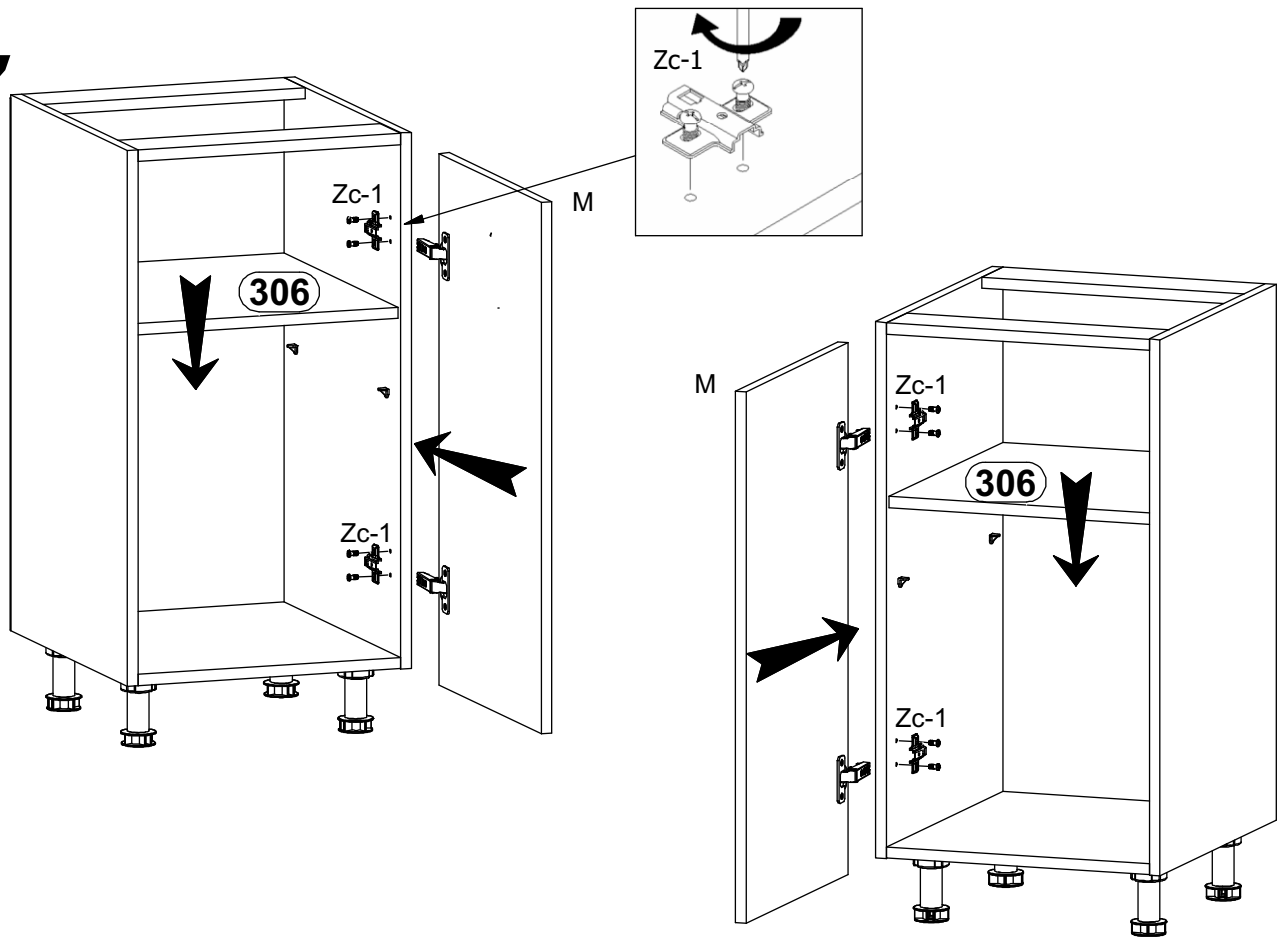
# 5



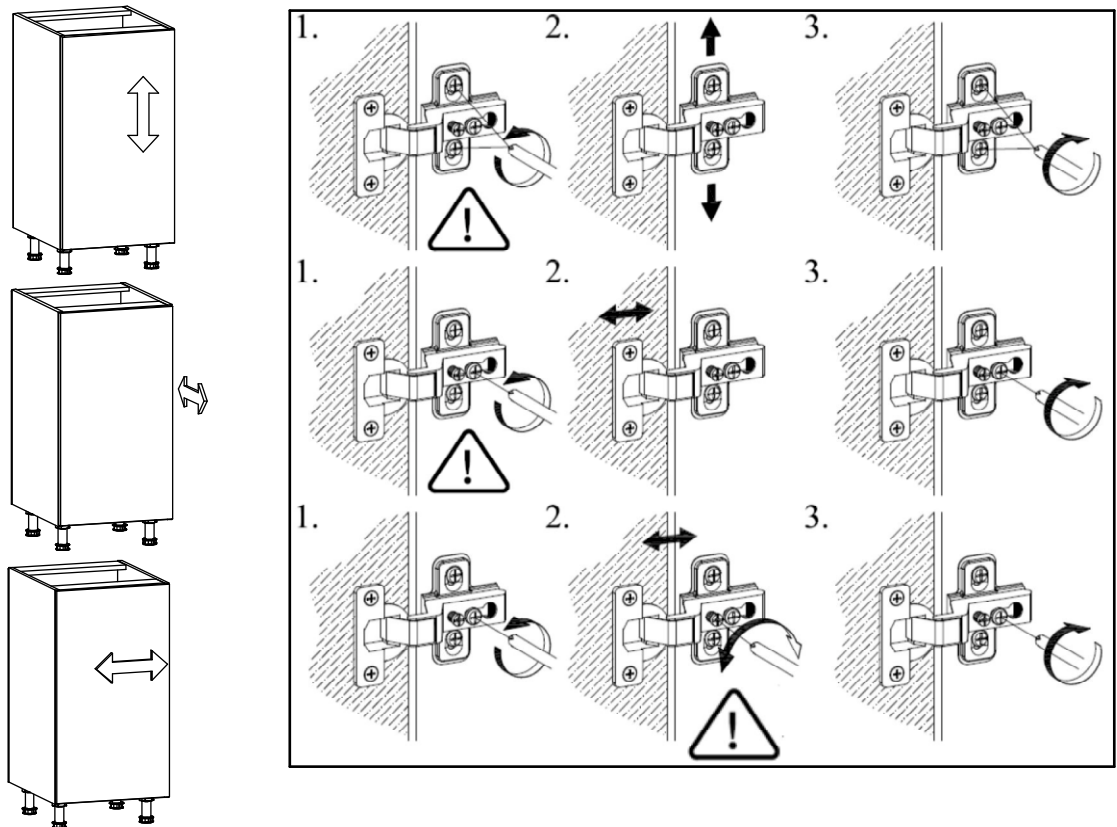
# 6

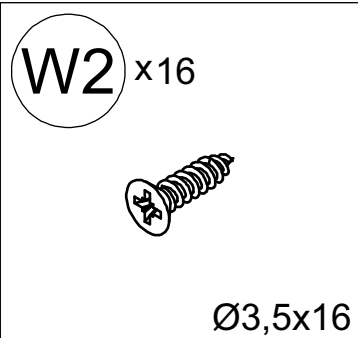
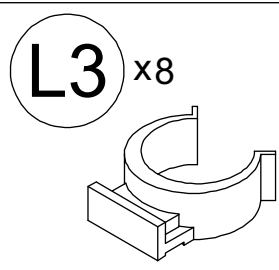
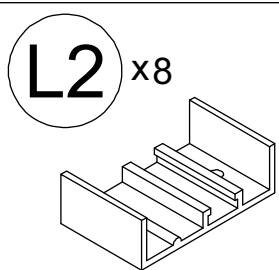
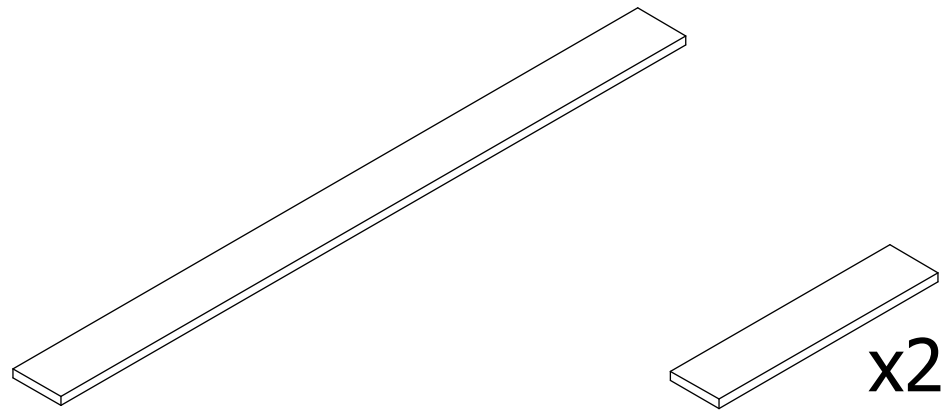
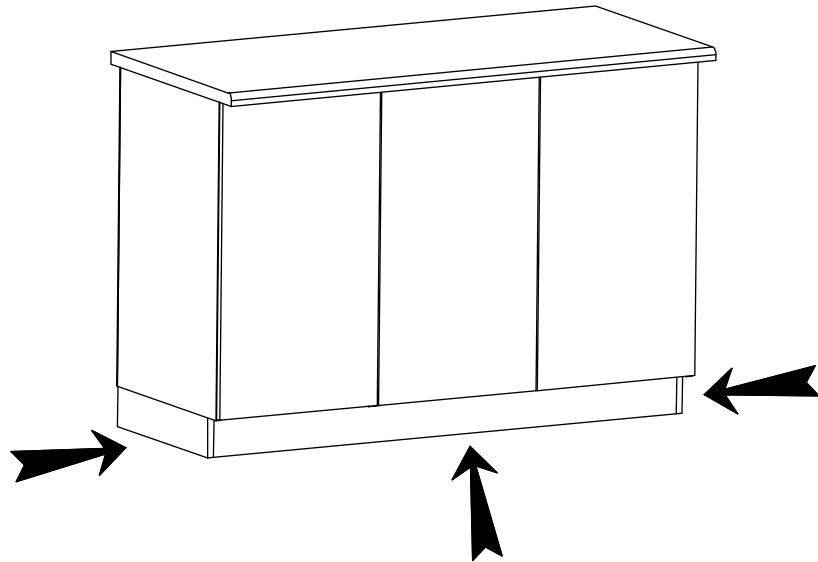


7



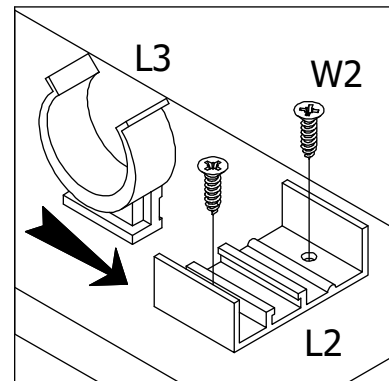
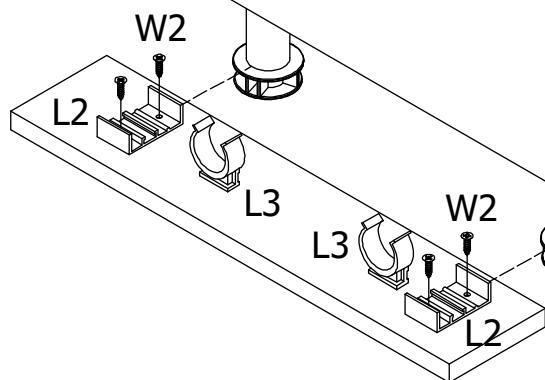
8







9



10

