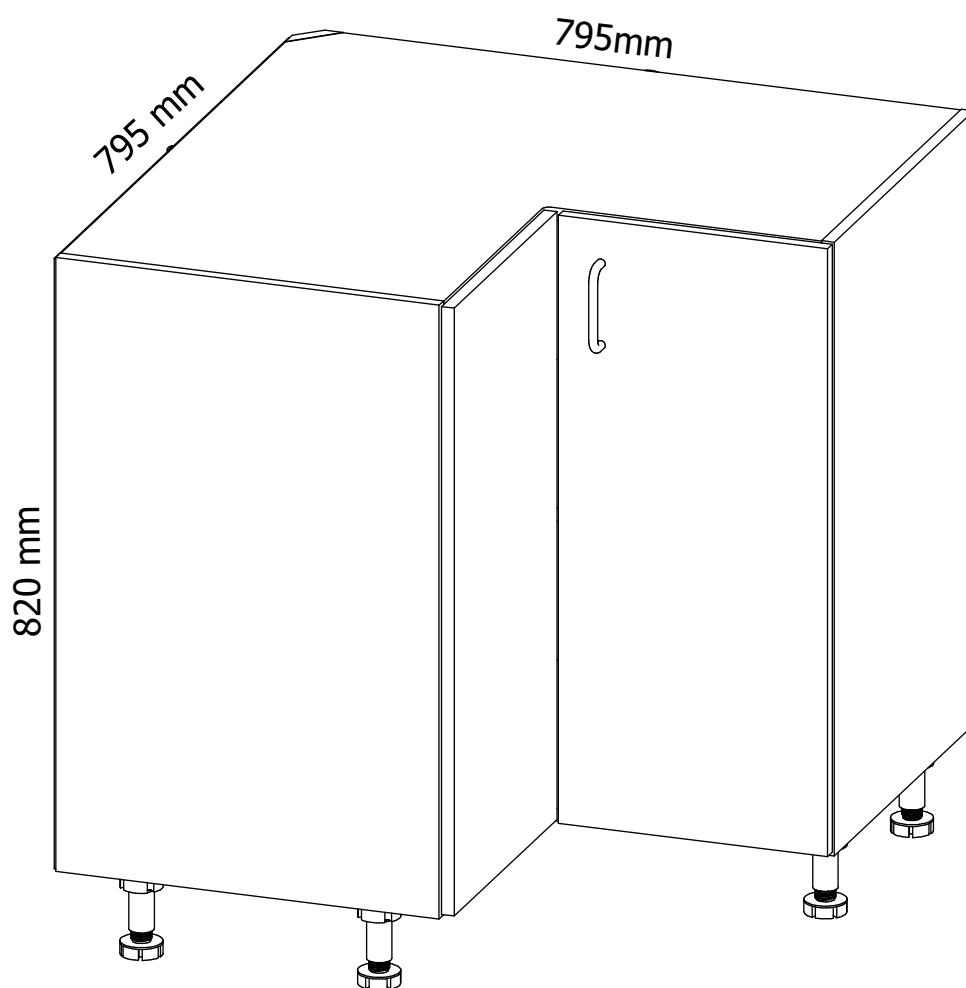
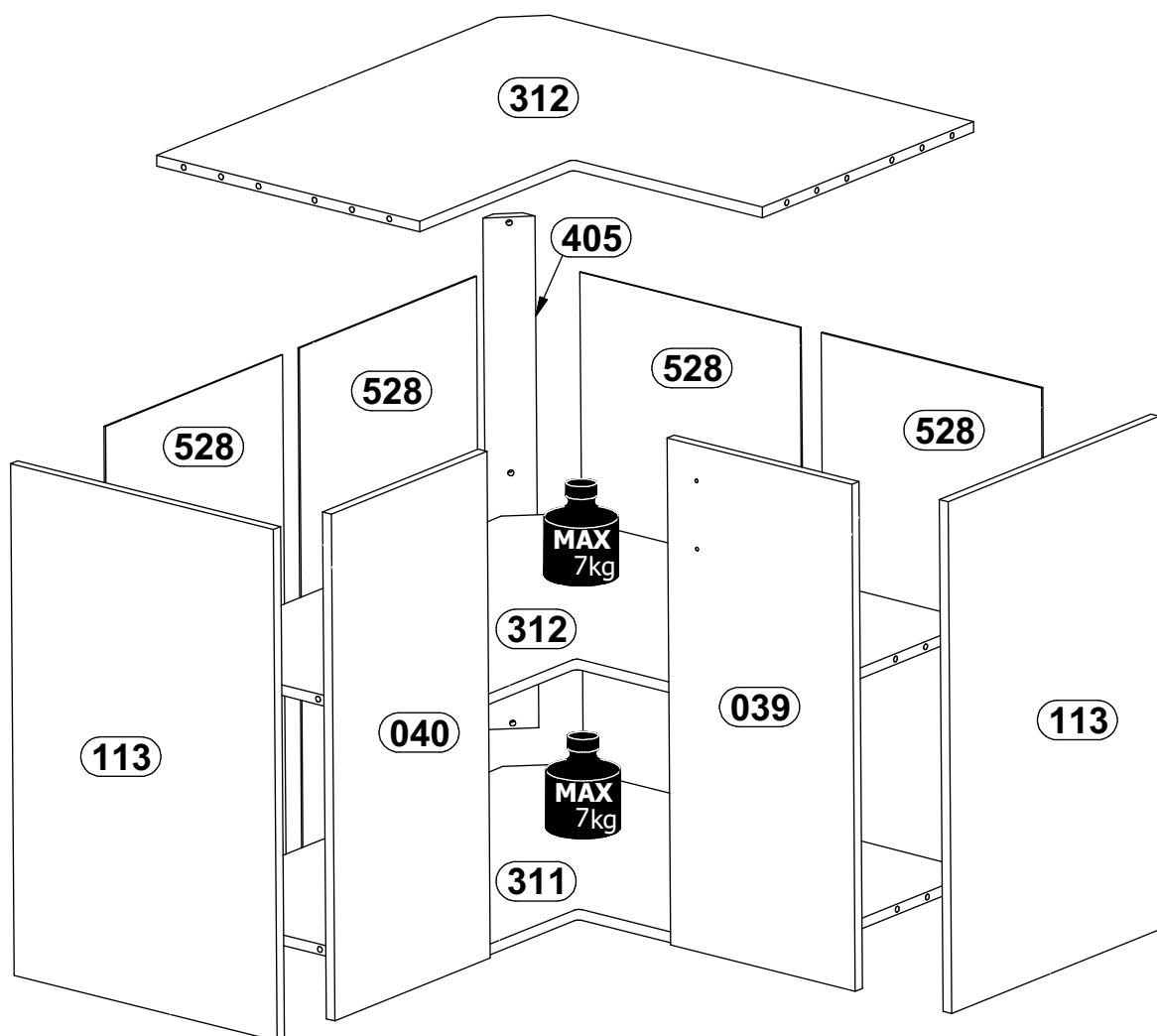
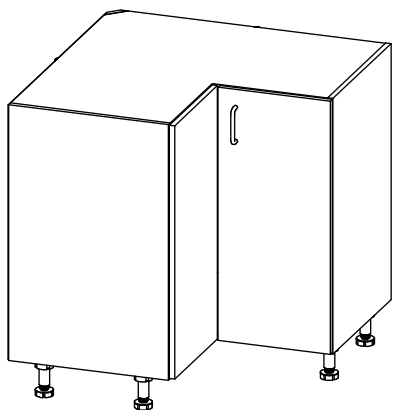


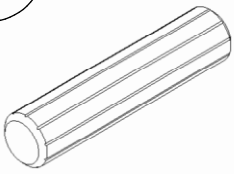
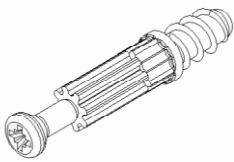
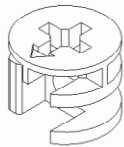
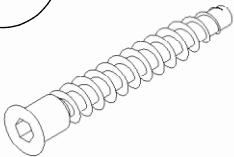
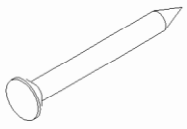
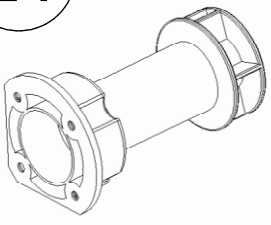
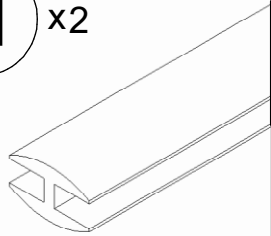
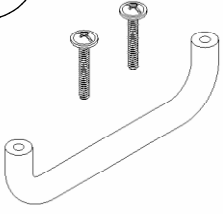
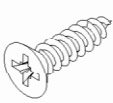


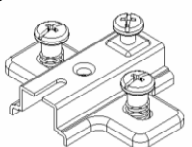
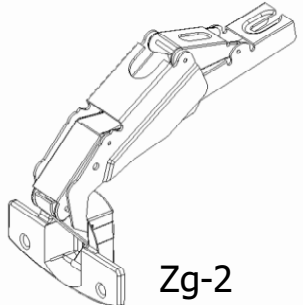
D90N



PL: INSTRUKCJA MONTAŻU
EN: ASSEMBLY MANUAL
CZ: PŘÍRUČKA PRO MONTÁŽ
SK: PRÍRUČKA PRE MONTÁŽ
DE: MONTAGEANLEITUNG
SR: UPUTSTVO ZA INSTALACIJU

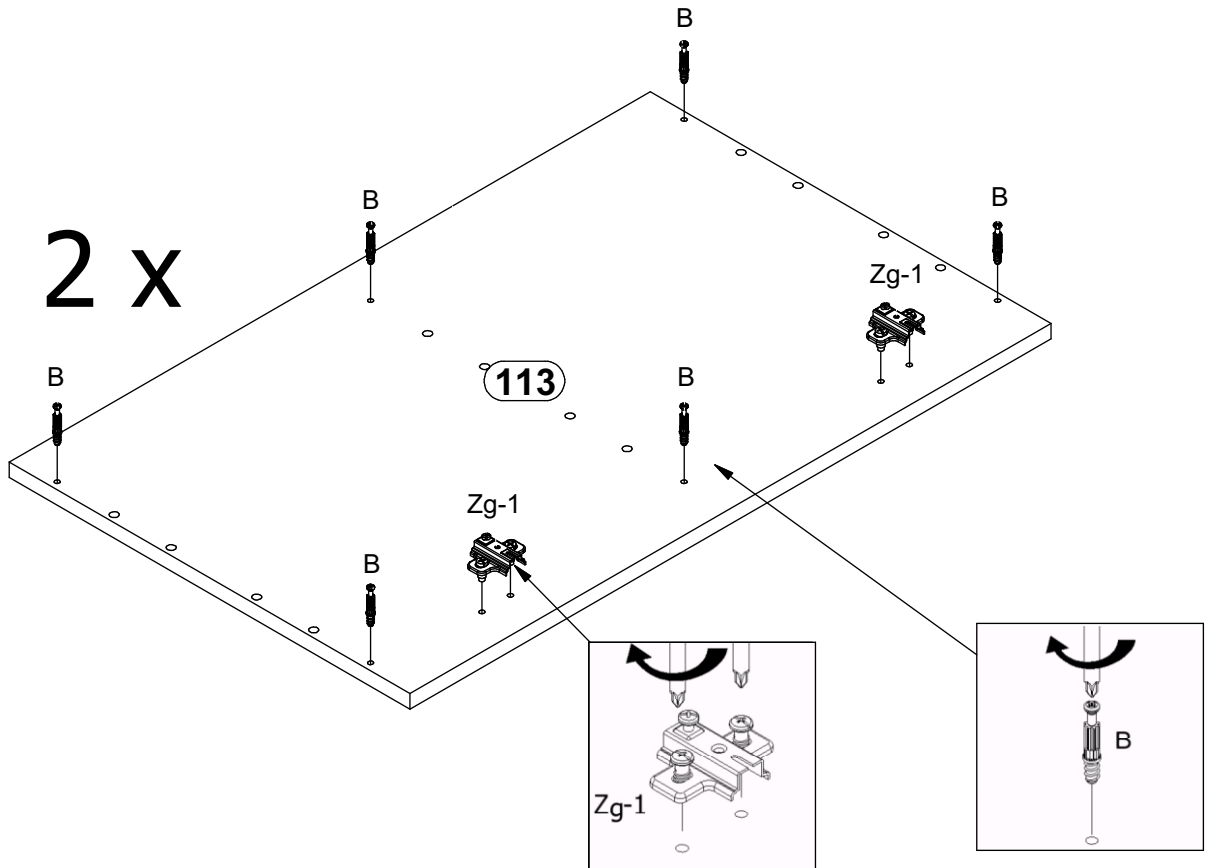
D90N



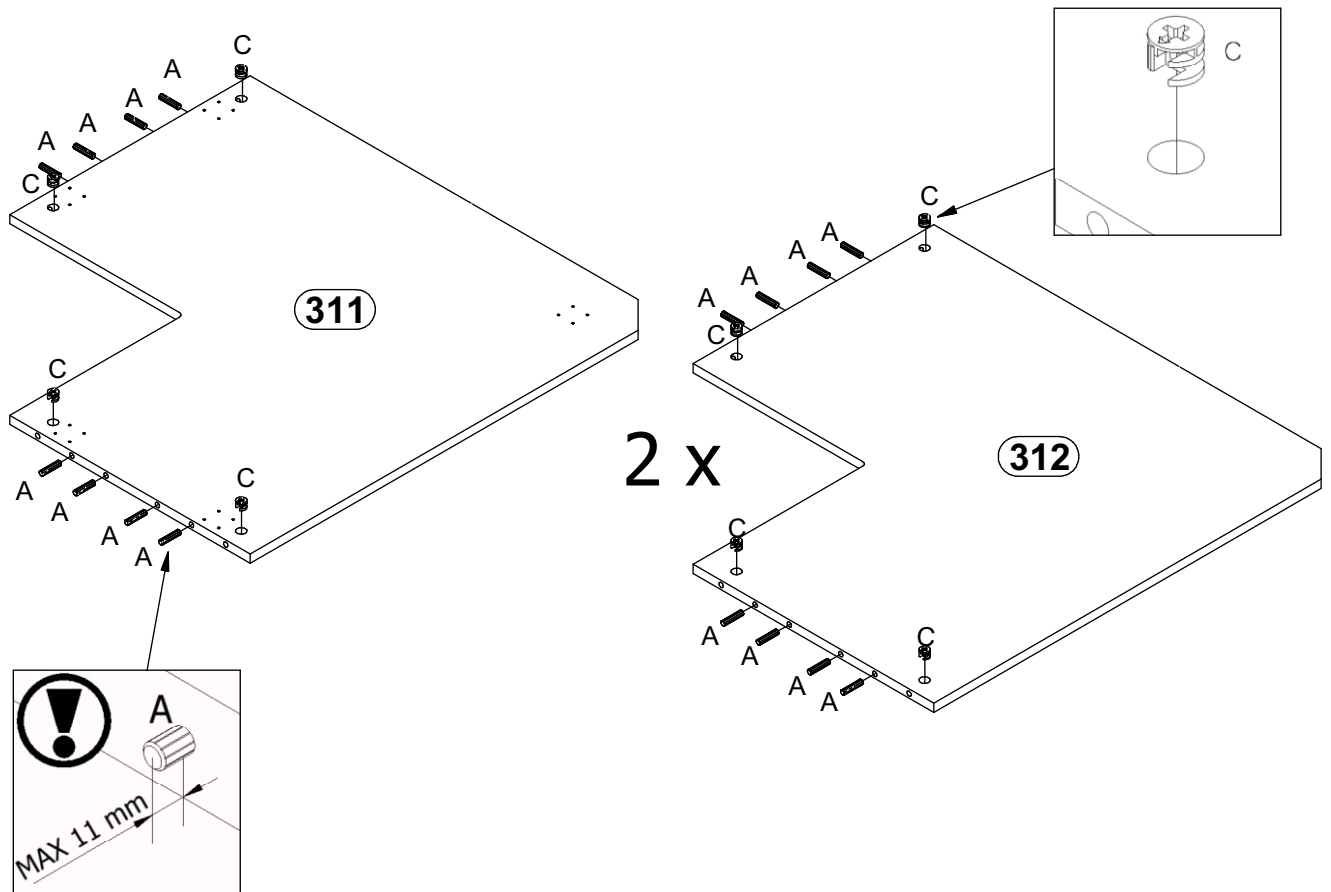
| | | | |
|---------------------------------------------------------------------------------------------------------------------------------------------------------------------------------------------------------------------|---------------------------------------------------------------------------------------------------------------------|------------------------------------------------------------------------------------------------------------------------|--------------------------------------------------------------------------------------------------------------------------|
| <p>A x24</p>  <p>Ø8x35mm</p> | <p>B x12</p>  | <p>C x12</p>  <p>Ø15x12mm</p> | <p>D x3</p>  <p>Ø6,4x50 mm</p> |
| <p>G x45</p>  | <p>L1 x5</p>  | <p>H x2</p>  <p>715 mm</p> | <p>M x1</p>  |
| <p>W2 x28</p>  <p>Ø3,5x16mm</p> | <p>Y x12</p>  <p>Ø18 mm</p> | <p>Y1 x3</p>  | |
| <p>Zg x4</p>  <p>Zg-1</p>  <p>Zg-2</p> | | | |



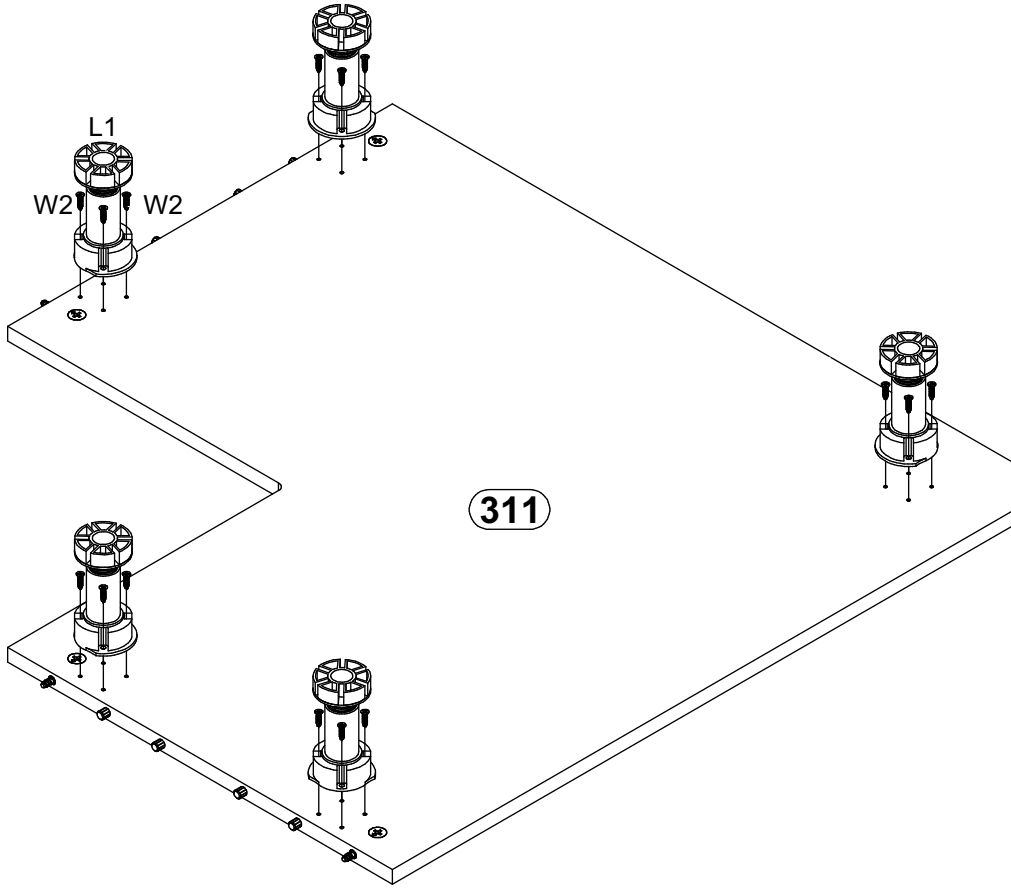
1



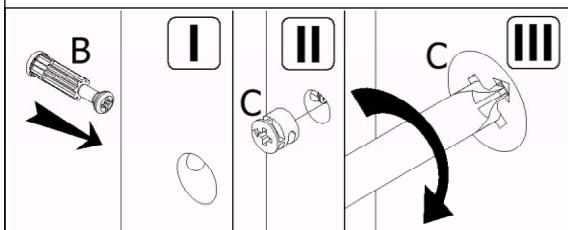
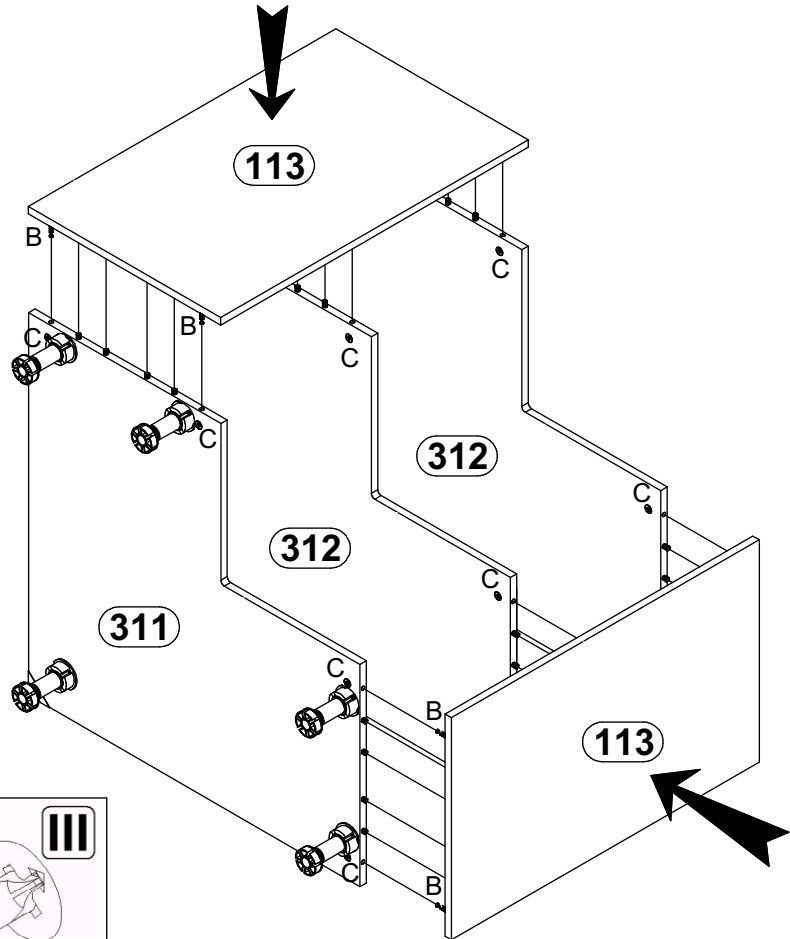
2



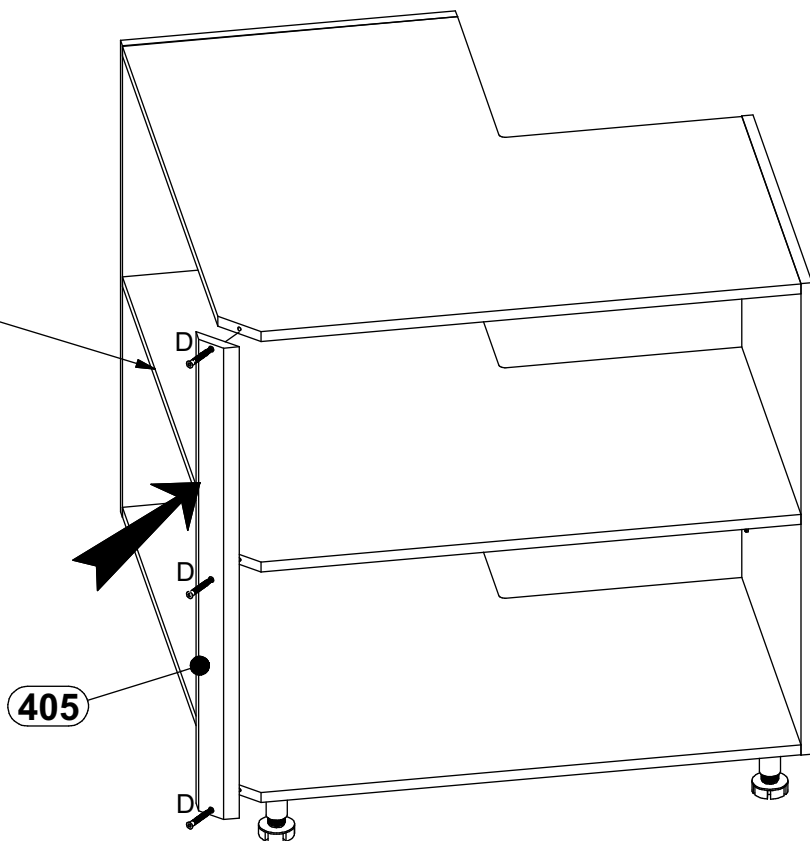
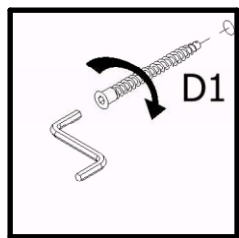
3



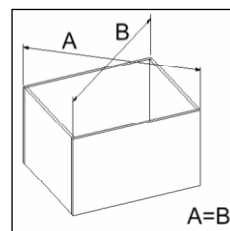
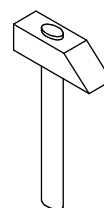
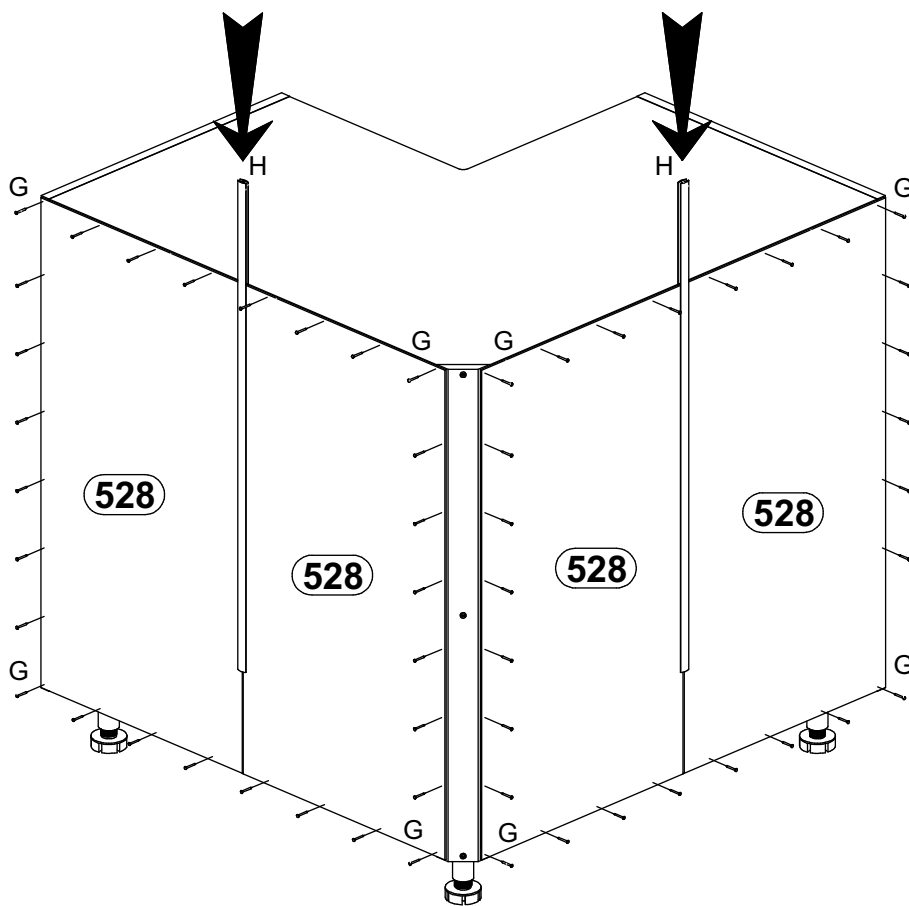
4



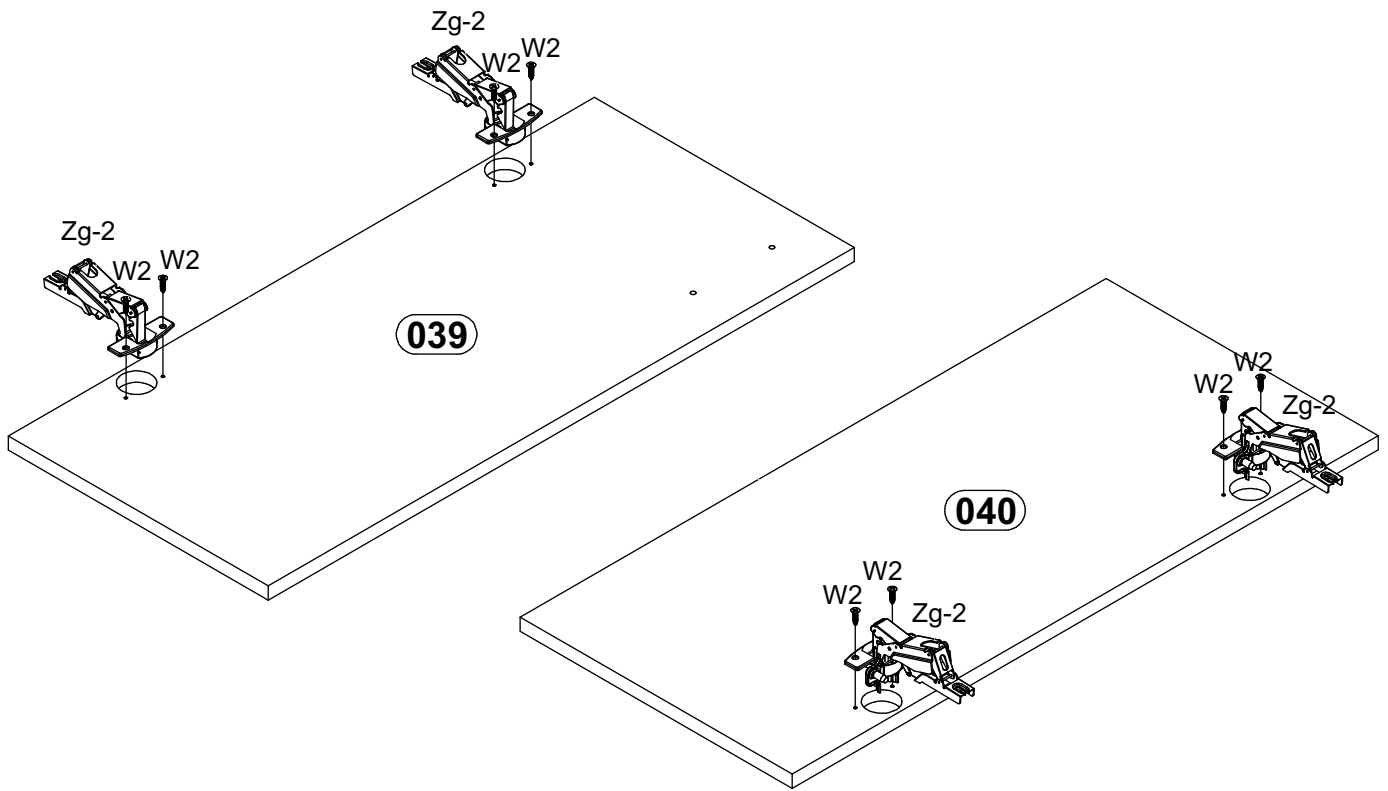
5



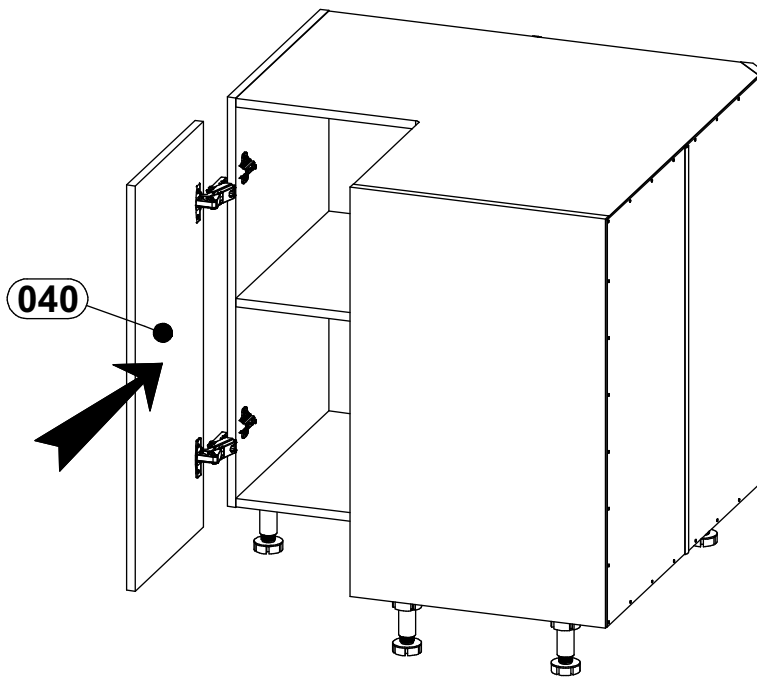
6



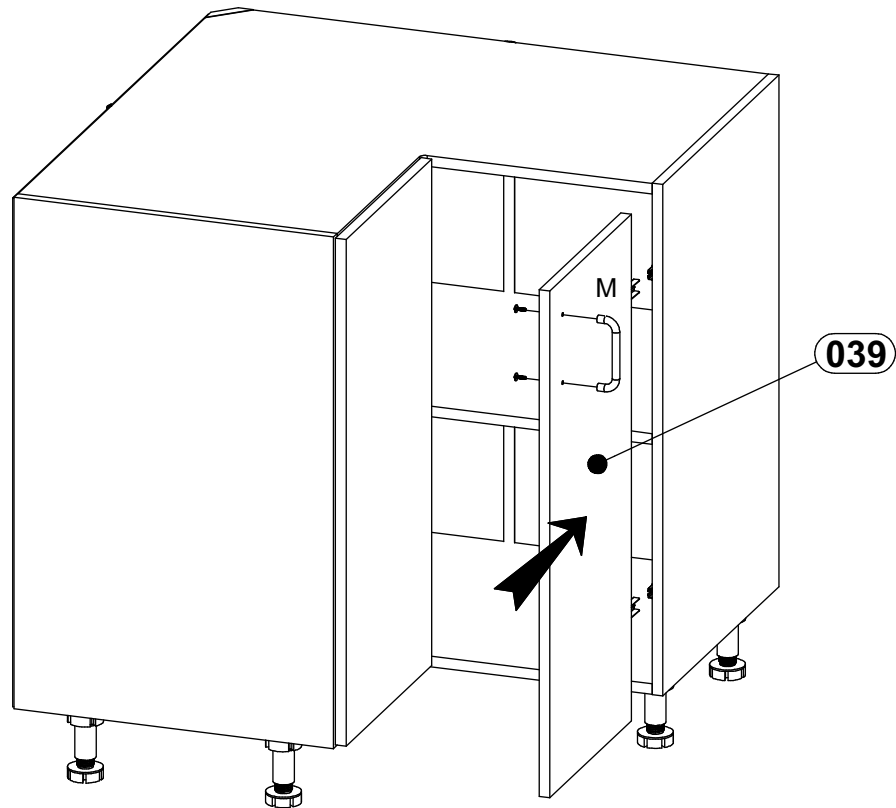
7



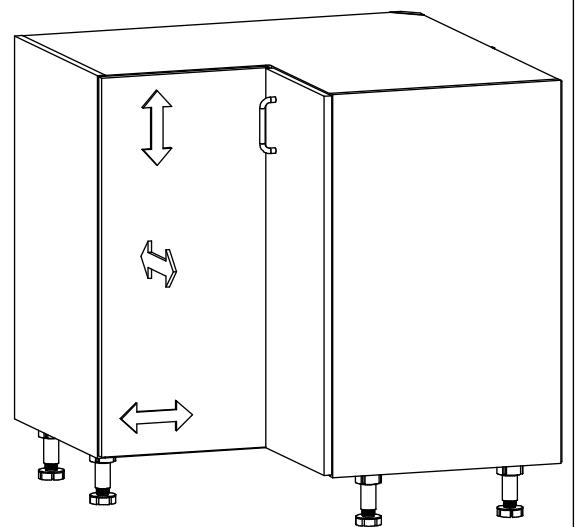
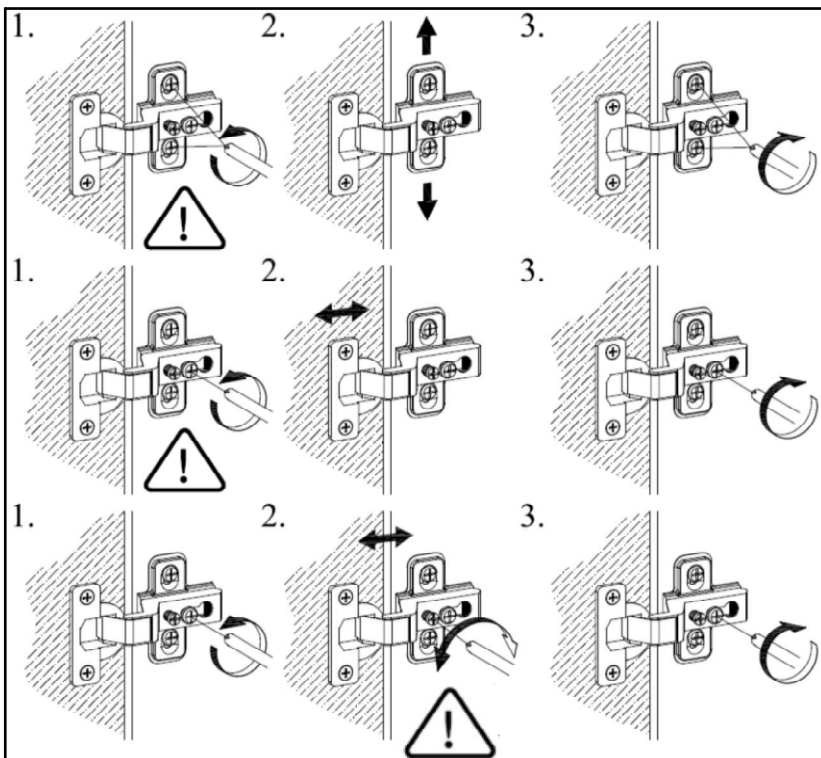
8

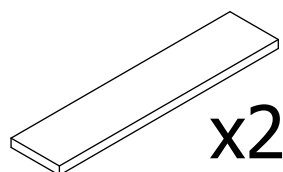
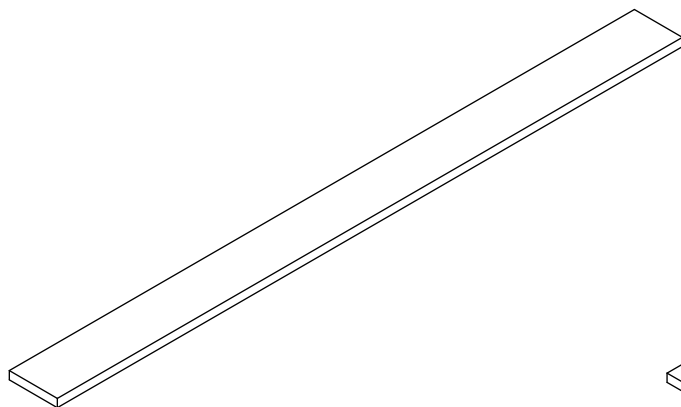
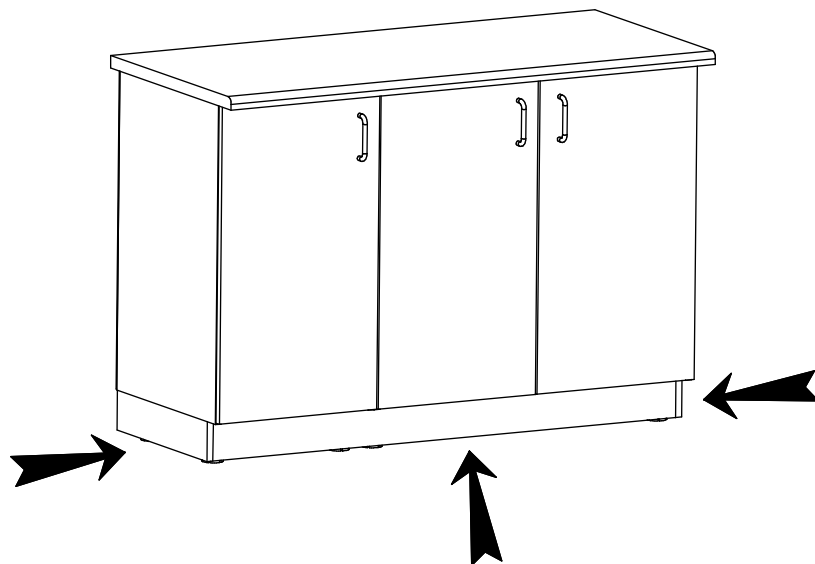


9

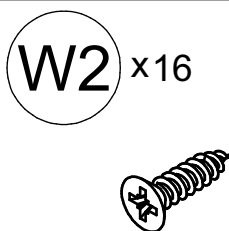
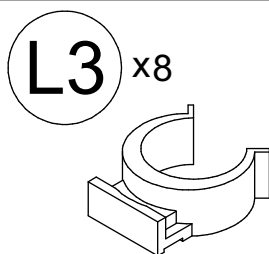
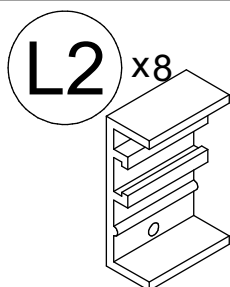


10





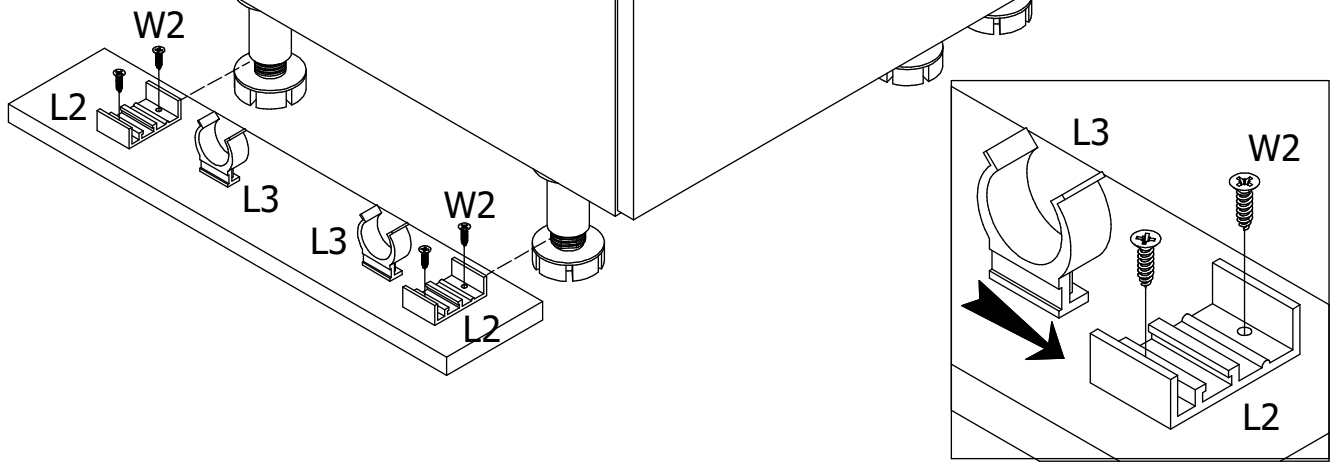
x2



Ø3,5x16



11



12

