

BADAR

(1) X1



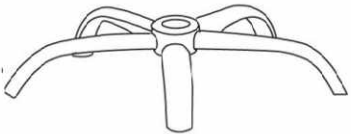
(2) X1



(3) X1



(4) X1



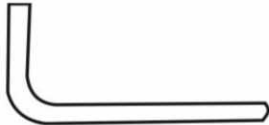
(5) X5



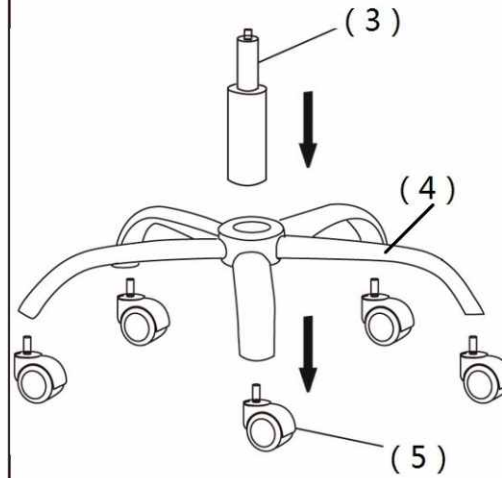
(6) X4



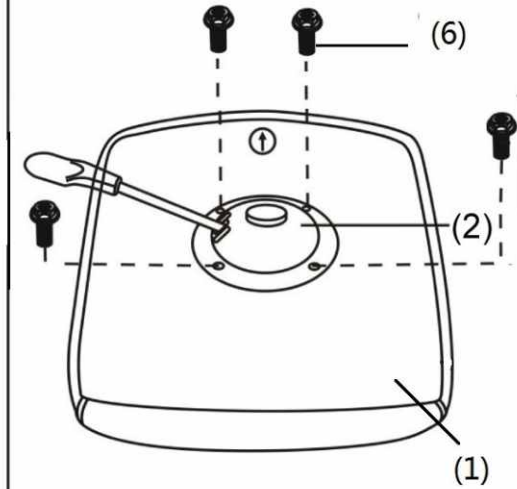
(7) X1



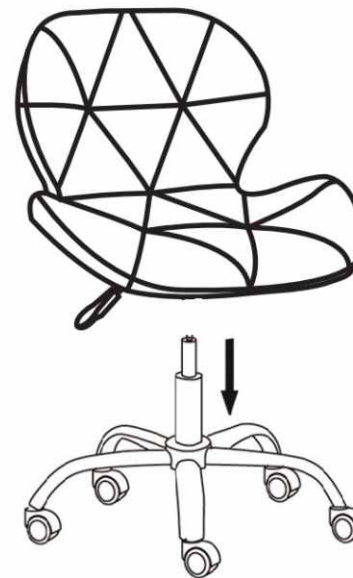
1



2



3



4

