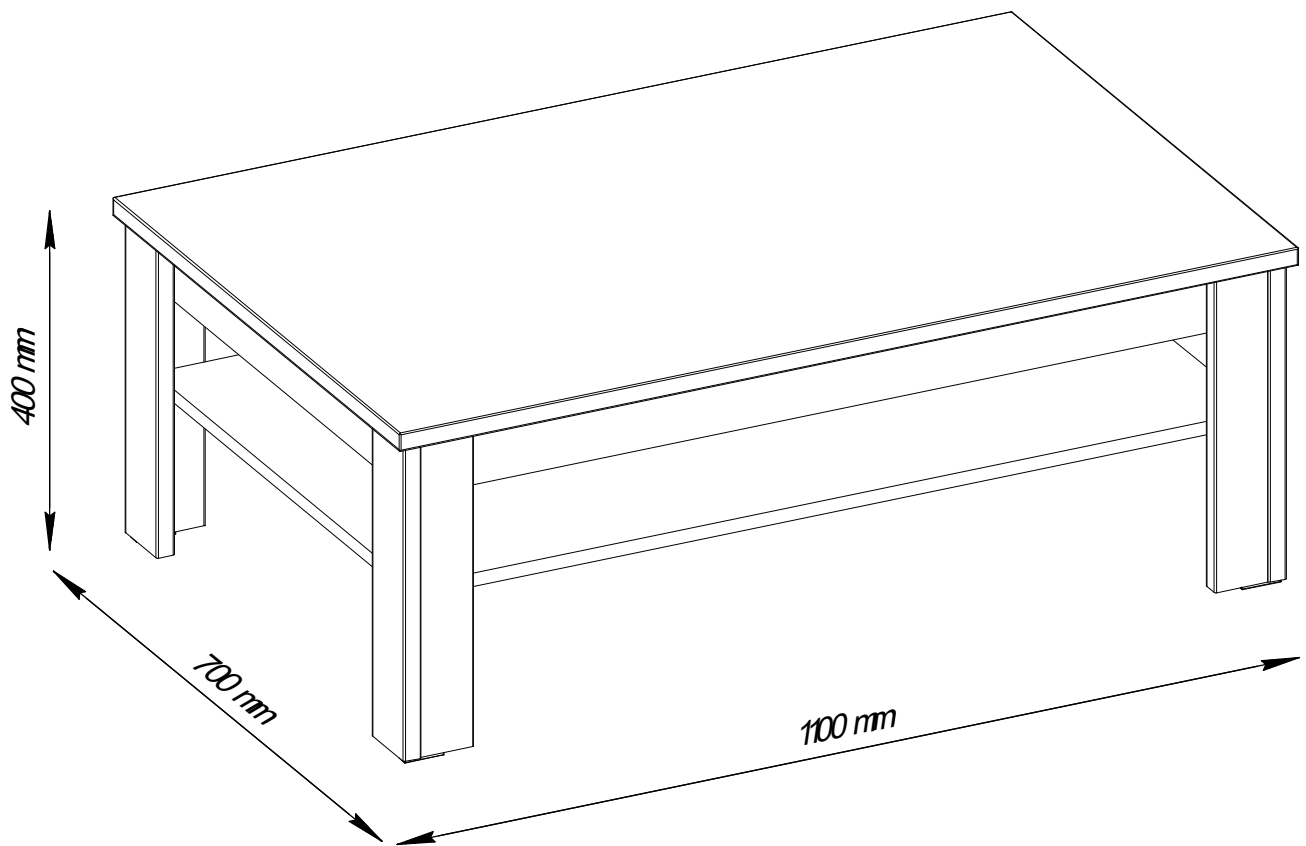
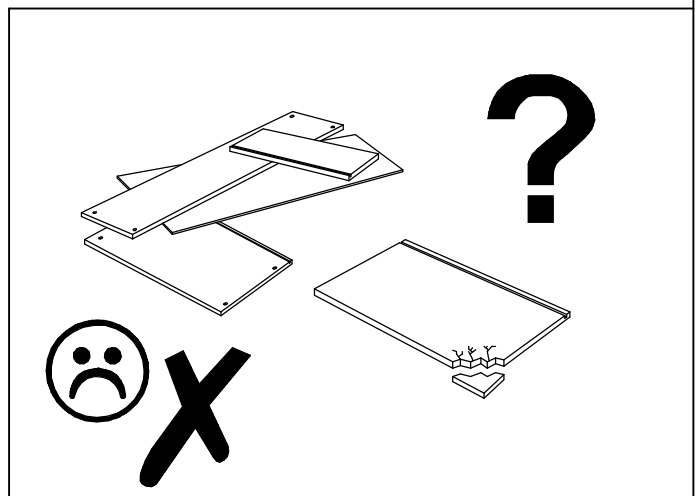
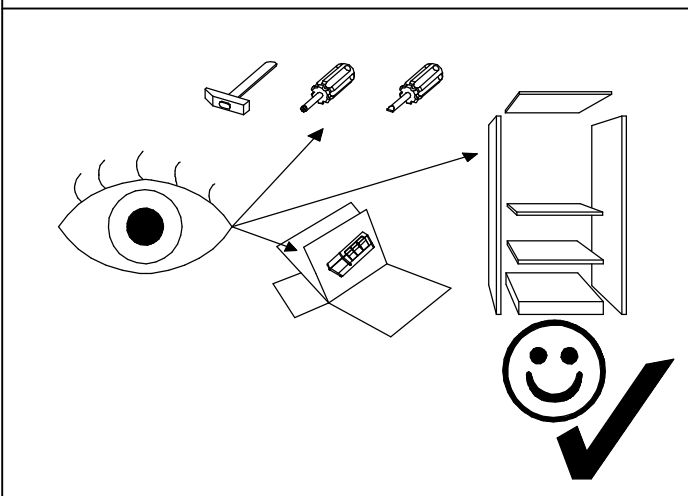
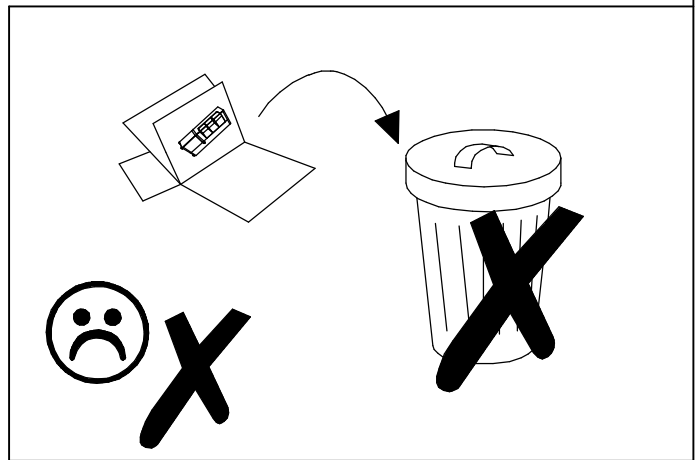
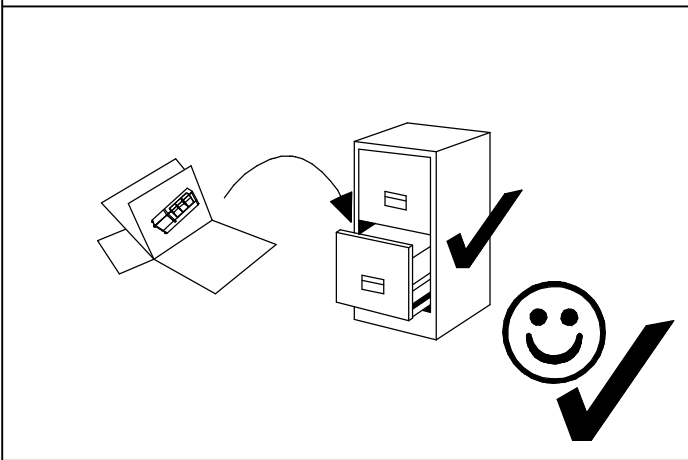
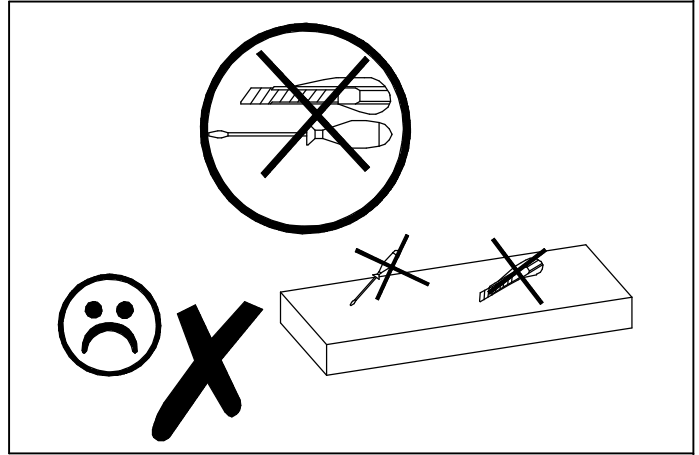
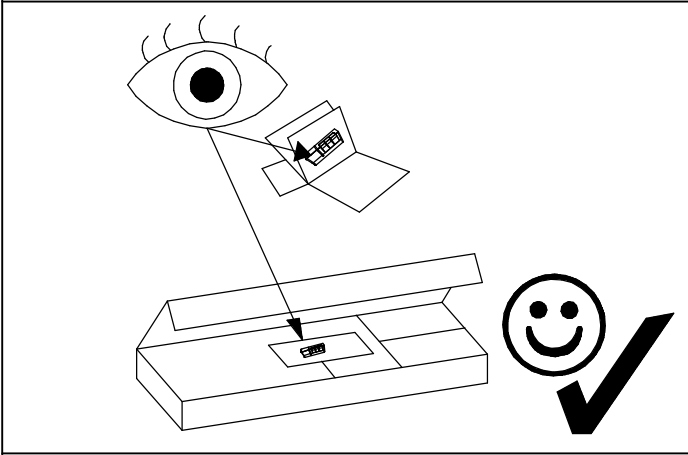
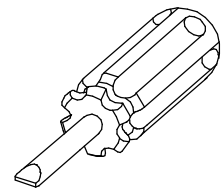
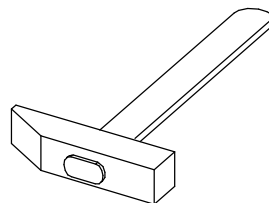
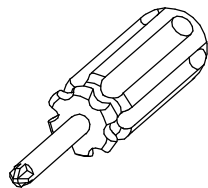
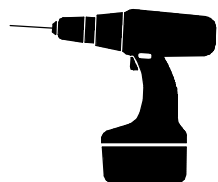
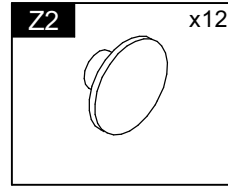
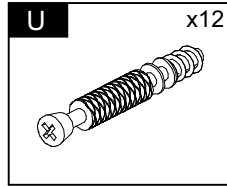
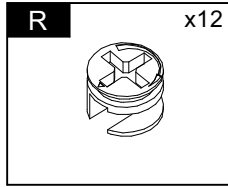
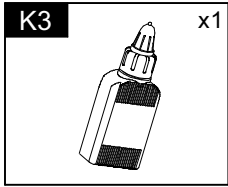
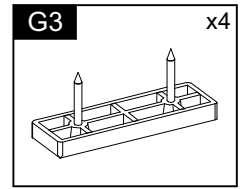
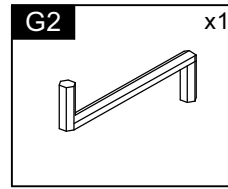
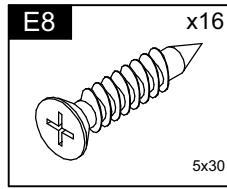
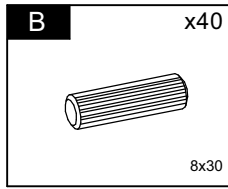
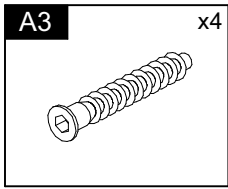
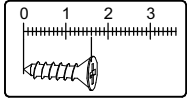
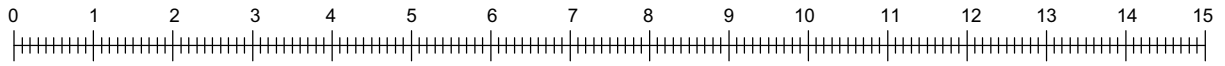


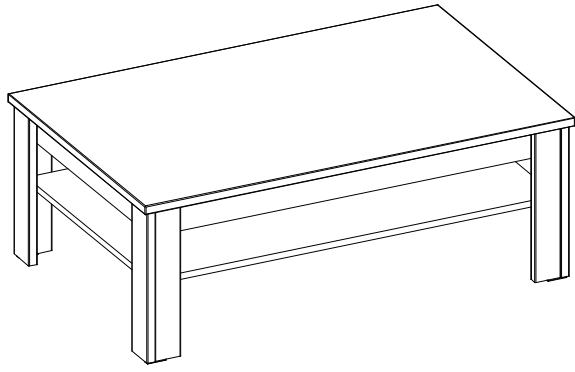
SUDBURY

Typ T2

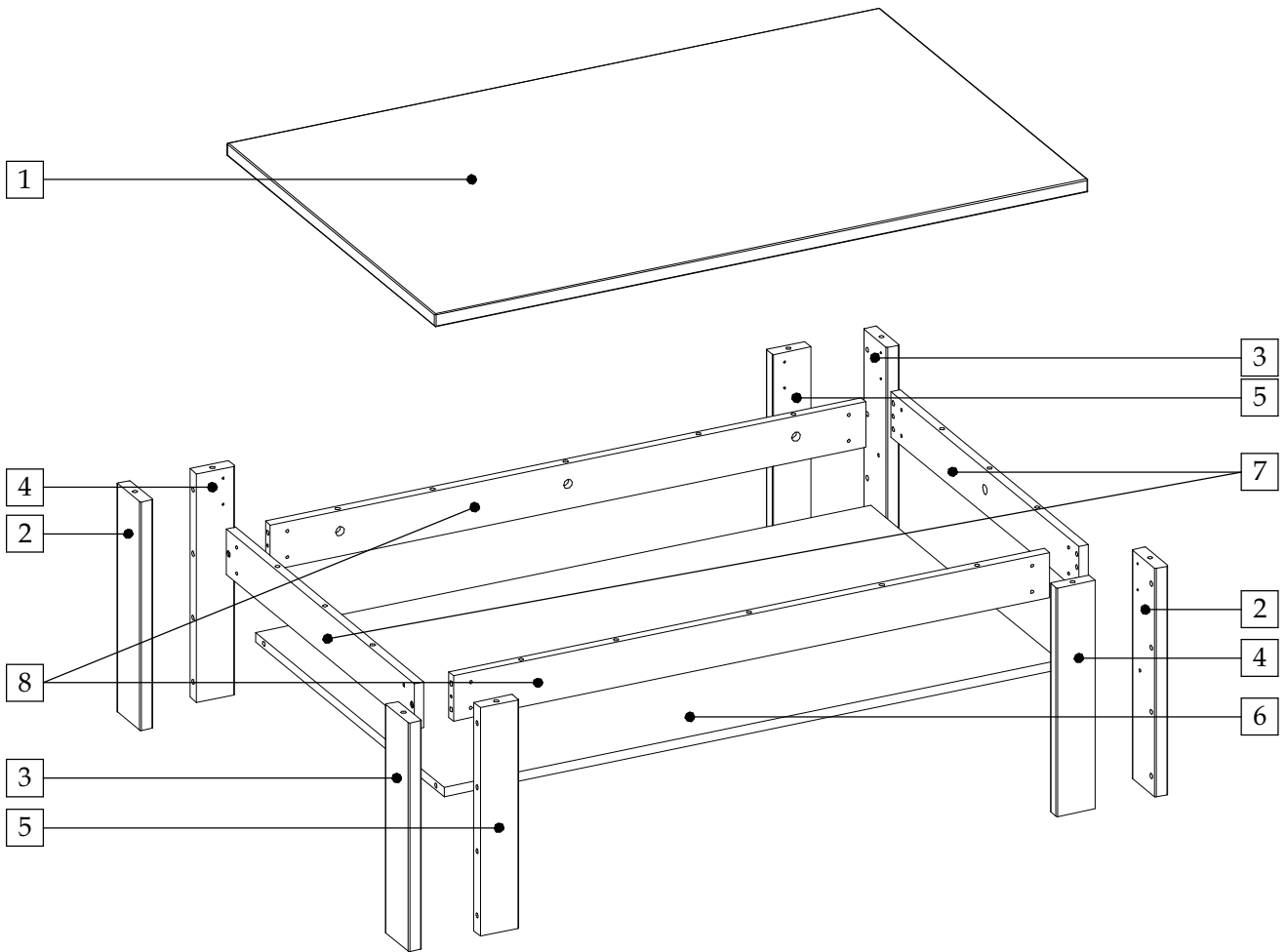


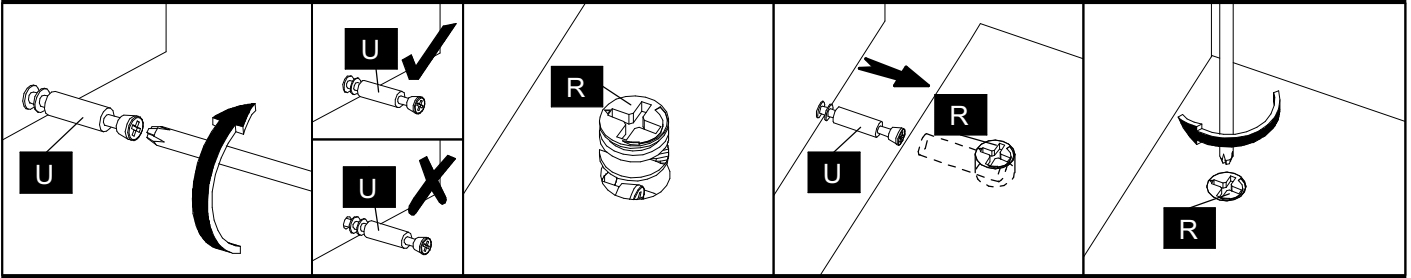




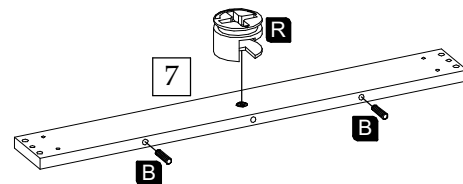
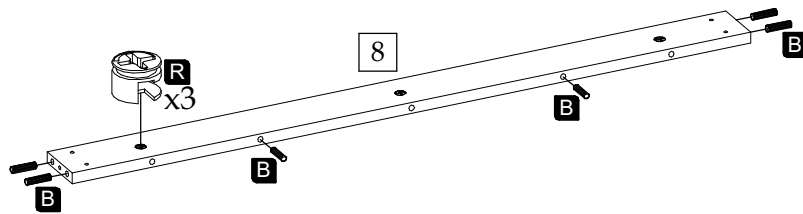
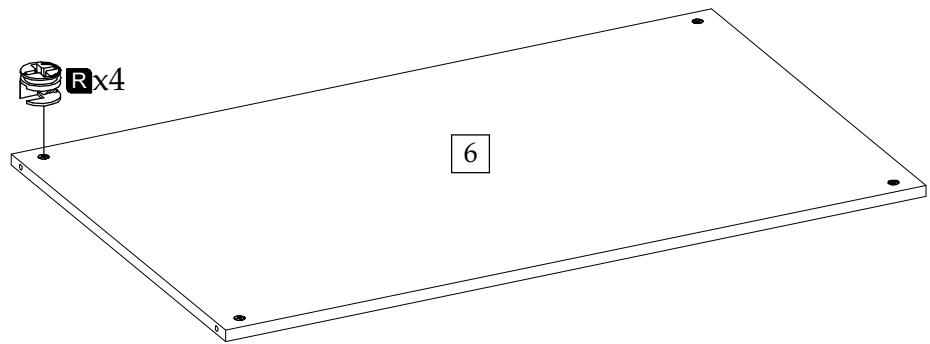
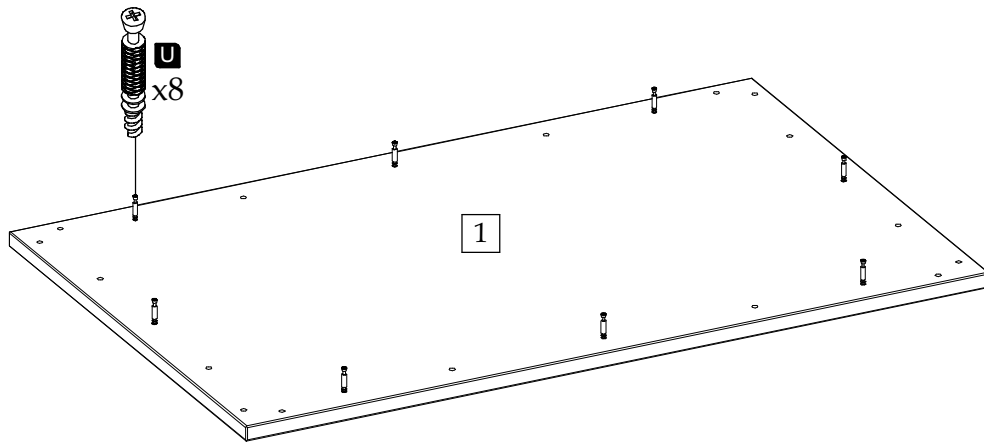


| | | | | | | |
|---|------|-----|----|---|------|-----|
| | | | | | | |
| 1 | 1100 | 700 | 22 | 1 | 1001 | 1/1 |
| 2 | 378 | 78 | 22 | 2 | 1002 | 1/1 |
| 3 | 378 | 78 | 22 | 2 | 1013 | 1/1 |
| 4 | 378 | 65 | 22 | 2 | 1004 | 1/1 |
| 5 | 378 | 65 | 22 | 2 | 1011 | 1/1 |
| 6 | 1036 | 632 | 16 | 1 | 1006 | 1/1 |
| 7 | 632 | 75 | 16 | 2 | 1007 | 1/1 |
| 8 | 1004 | 75 | 16 | 2 | 1008 | 1/1 |

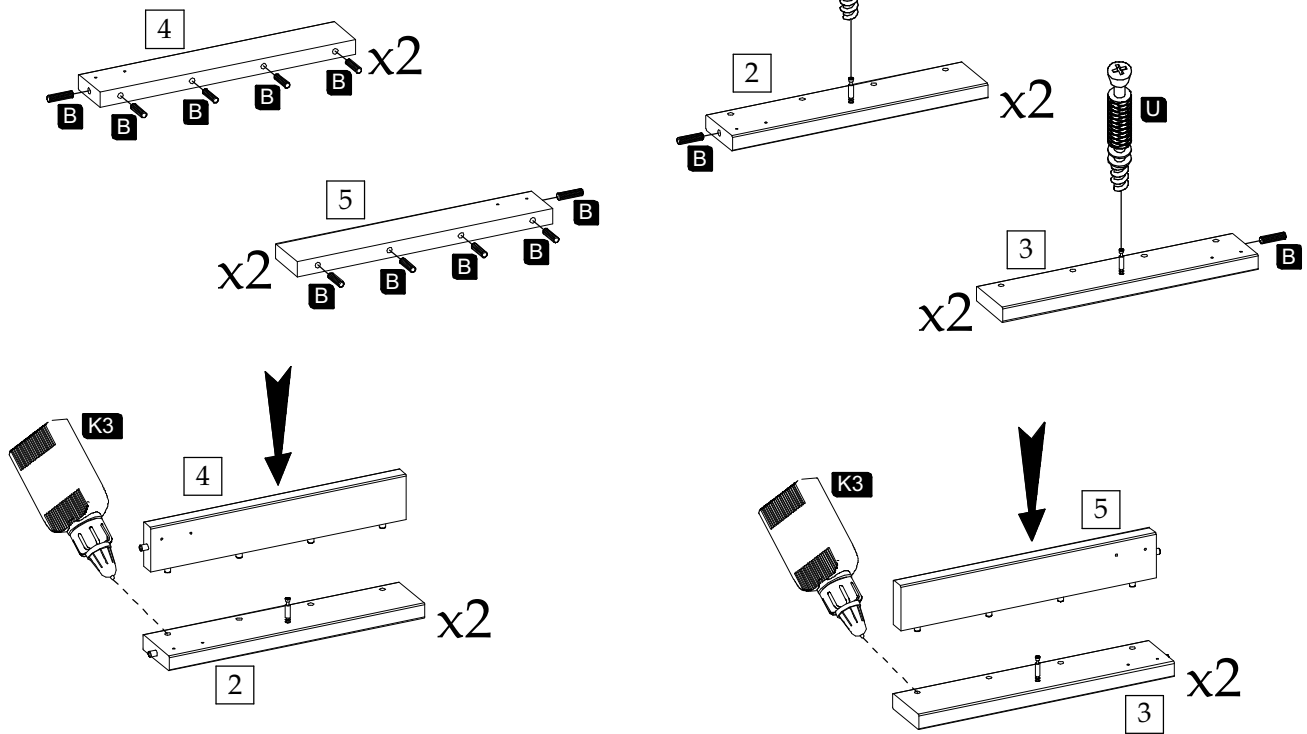




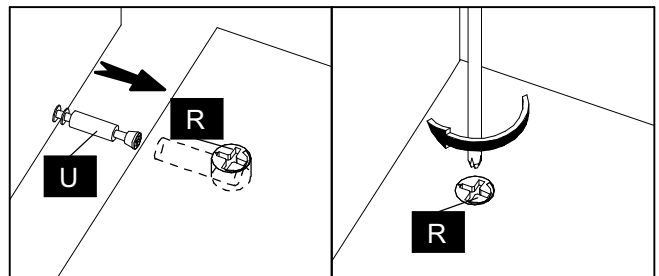
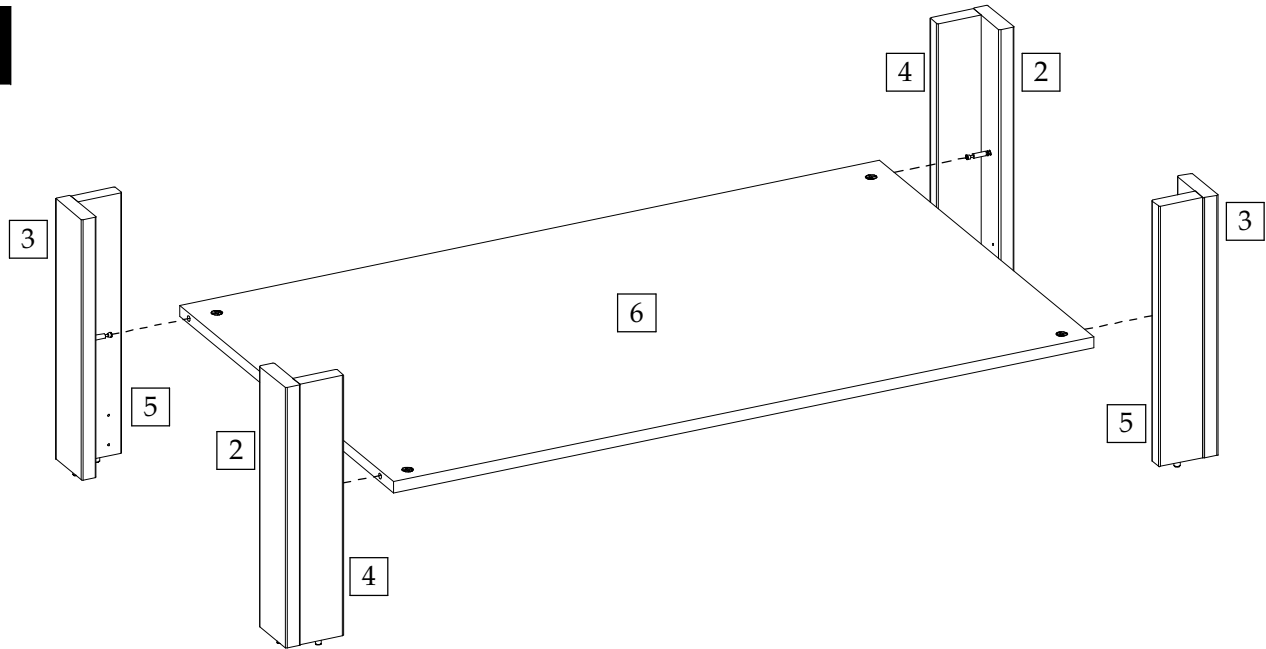
1



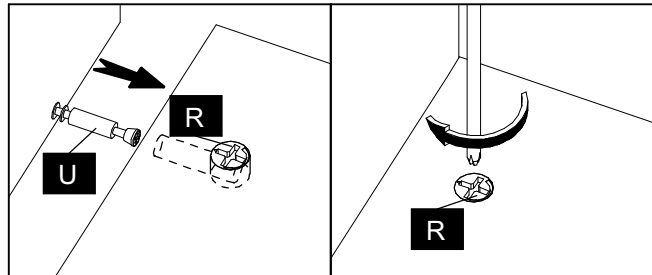
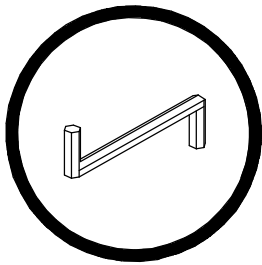
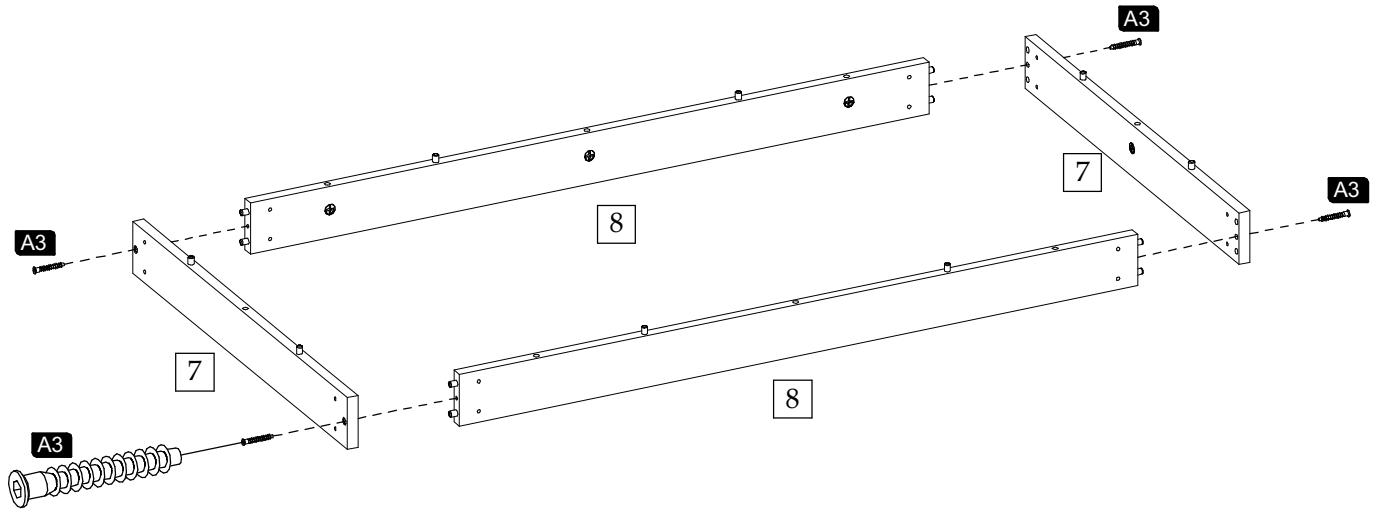
2



3



4



5

